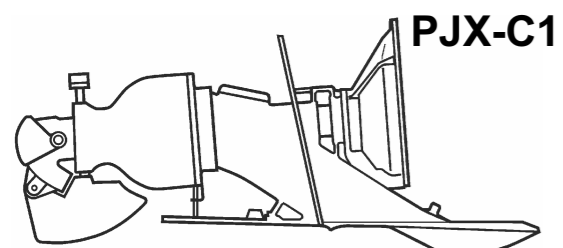


WATERJET & THRU HULL DRIVES

Publ. No. 7745608 12-2012

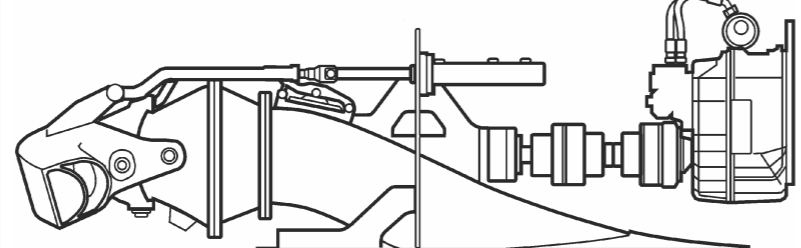
**PJX-S
PJX-C
PJX-C1**



Oil:
Synthetic Gear Oil
API GL-5 SAE 75W-90
Qty: 2.6 liters (2.74 US qts)

Ratio:
1:1

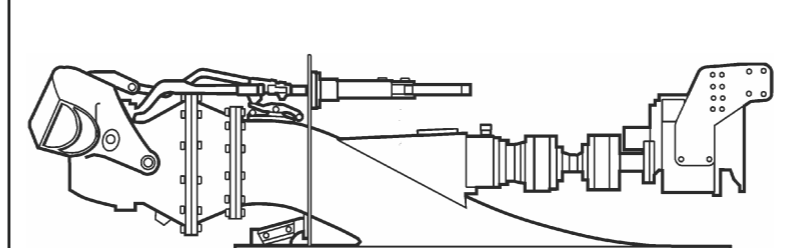
K22
Reverse gear: ZF HSW630HE



Grease in bearing housing:
Bearing grease NLGI 2.5

Ratio:
1.52:1

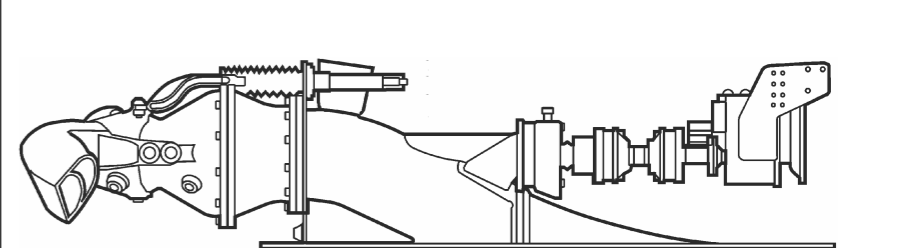
K25
Reverse gear: ZF 220-EB



Grease in bearing housing:
Bearing grease NLGI 2.5

Ratio:
1.12:1

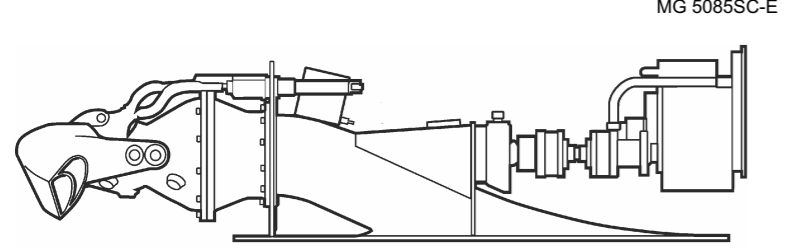
K28
Reverse gears: ZF 220-EB
MG 5085SC-E



Oil in bearing housing:
Same as engine
Qty: 0.5 liters (0.53 US qts)

Ratio:
1.22:1
1.40:1

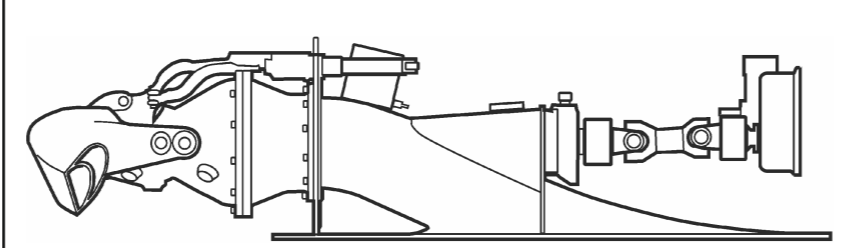
K32
Reverse gears: ZF 325-PL
MG 5085SC-E



Oil in bearing housing:
Same as engine
Qty: 1.3 liters (1.37 US qts)

Ratio:
1.50:1
1.68:1

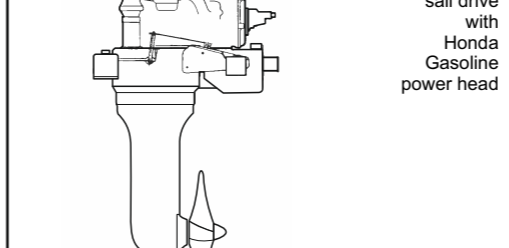
K36
Reverse gear: ZF 325-PL



Oil in bearing housing:
Same as engine
Qty: 2.0 liters (2.11 US qts)

Ratio:
1.46:1

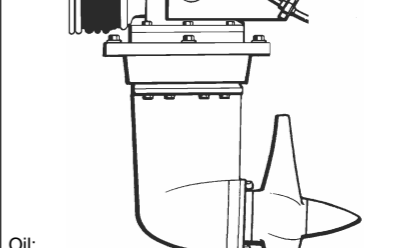
MB2-50S
Volvo Penta
sail drive
with
Honda
Gasoline
power head



Oil:
API GL-5, SAE 90
Qty: .025 liters (.264 US qts)

Ratio:
2.83:1

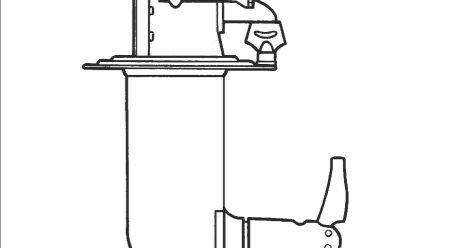
100S



Oil:
Same as engine
Qty: 2.5 liters
(2.64 US qts)

Ratio:
1.66:1

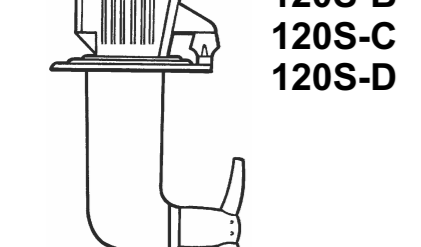
110S



Oil:
Same as engine
Qty: 1.8 liters (1.9 US qts.)

Ratio:
1.66:1
2.15:1

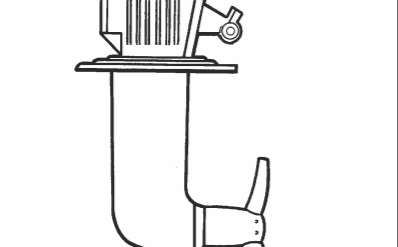
**120S
120S-B
120S-C
120S-D**



Oil:
Same as engine
Qty: 2.6 liters (2.74 US qts.)

Ratio:
1.66:1
2.15:1


120S-E



Oil:
API GL-5 SAE 75W-90
Qty: 2.6 liters (2.74 US qts.)

Ratio:
2.20:1
2.50:1

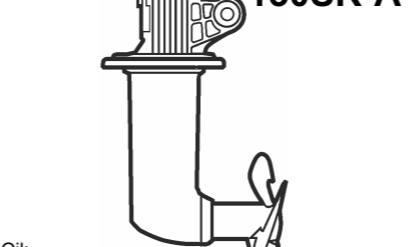
**MS25S-A
MS25SR-A**
New shift system



Oil:
Same as engine
Qty: 2 liters (2.1 US qts.)

Ratio:
2.19:1
2.47:1

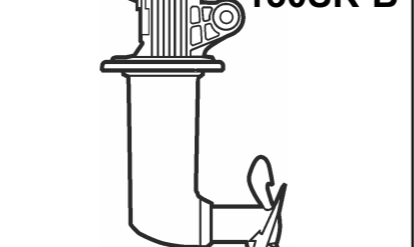
**130S-A
130SR-A**



Oil:
Same as engine
Qty: *3.35 liters (3.5 US qts)
3.01 liters (3.1 US qts)

Ratio:
*2.19:1
2.47:1

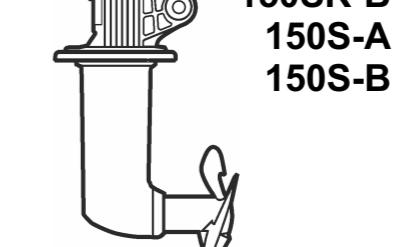
**130S-B
130SR-B**



Oil:
Same as engine
Qty: 3.35 liters (3.5 US qts)

Ratio:
2.19:1

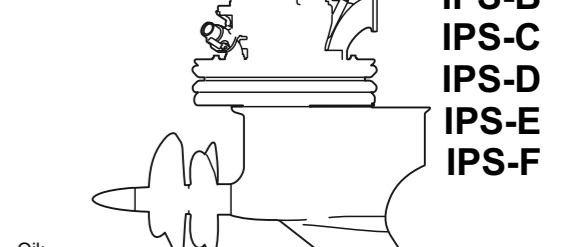
**150SR-A
150SR-B
150S-A
150S-B**



Oil:
Same as engine
Qty: 3.25 liters (3.4 US qts)

Ratio:
2.19:1

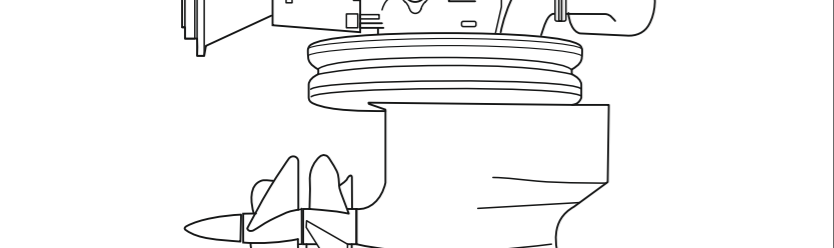
**IPS-A
IPS-B
IPS-C
IPS-D
IPS-E
IPS-F**



Oil:
Synthetic Gear Oil
API GL-5 SAE 75W-90
Qty: 14 liters (14.7 US qts.)

Ratio:
1.94:1

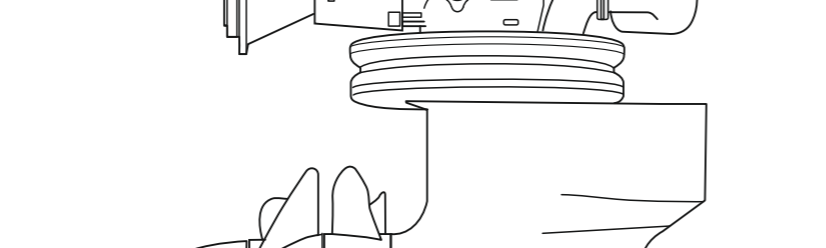
**IPS2-A
IPS2-B**



Oil:
Synthetic Gear Oil
API GL-5 SAE 75W-90
Qty: 25 liters (26.4 US qts.)

Ratio:
1.94:1

IPS3-A



Oil:
Synthetic Gear Oil
API GL-5 SAE 75W-90
Qty: 30 liters (31.7 US qts.)

Ratio:
1.88:1

Oil and grease specifications

Type of oil/grease	Grade	Viscosity	Quantity	Part no.	Quantity US	Part no. US
Gear oil	API GL-5	80W 90			1 US qt	1141676
Gear oil	API GL-5	80W 90	5 liter	3809445	1 US gal	1141677
Gear oil	API GL-5	80W 90	20 liter	3809444	1 US qt	1141679
Synthetic Gear Oil	API GL-5	75W-90	1 liter	3809443	1 US gal	1141680
Synthetic Gear Oil	API GL-5	75W-90	5 liter	3809442	5 US gal	1141681
Synthetic Gear Oil	API GL-5	75W-90	20 liter	3809441		
Synthetic Gear Oil	API GL-5	75W-140	1 liter	3809439		
Propeller shaft grease (For grease gun)			400 gr	21347121		
Propeller shaft grease (Can)			500 gr	3809449		
Grease			27 g	828250		
Bearing grease, Water Jet			400 g	1161251		

