

OCF50-M00270EN

Introduction

1. This parts catalog is a first edition of the 3JH40 diesel engine.

	Date of issue	Remarks
First edition	Feb., 2018	

2. This parts catalog does not contain the technical data needed for maintenance service.

3. The illustrations used in this parts catalog have been simplified for clarity.

4. The contents of this parts catalog are subject to change without notice.

5. Be sure to use only Yanmar genuine parts for repairs. If imitation parts are used, it may cause engine defects.

Contents

OCF50-M00270

Fig. No.	Fig. Name
3JH40	
1.	CYLINDER BLOCK
2.	GEAR HOUSING
3.	FLYWHEEL HOUSING
4.	OIL SUMP
5.	BREATHER
6.	LABEL
7.	MOUNTING FOOT
8.	COVER(BELT)
9.	COVER(ENGINE)
10.	CYLINDER HEAD
11.	BONNET
12.	SUCTION MANIFOLD
13.	AIR INTAKE SILENCER
14.	MIXING ELBOW(U TYPE)
15.	MIXING ELBOW(L TYPE)
16.	MIXING ELBOW(L TYPE)(FOR BJT)
17.	CAMSHAFT & DRIVING GEAR
18.	CRANKSHAFT & FLYWHEEL
19.	PISTON & CONNECTING ROD
20.	LUB. OIL SYSTEM
21.	DIPSTICK
22.	COOLING PUMP(SEA WATER)
23.	COOLING PUMP(FRESH WATER)
24.	V-BELT

Fig. No.	Fig. Name
25.	COOLER(FRESH WATER)
26.	COOLING PIPE(SEA WATER)
27.	COOLING PIPE(FRESH WATER)
28.	HOT WATER CONNECTION(OPTIONAL)
29.	FUEL SUPPLY PUMP
30.	FUEL INJECTION VALVE
31.	FUEL FILTER
32.	FUEL PRE-FILTER(HULL SIDE)
33.	COMMON RAIL
34.	FUEL INJECTION PIPE
35.	FUEL PIPE
36.	ELECTRONIC CONTROL UNIT(ECU) & BRACKET
37.	STARTER MOTOR
38.	RELAY
39.	ALTERNATOR(EARTH TYPE)
40.	ALTERNATOR(EARTH FLOAT TYPE REMODEL KIT)(OPTIONAL)
41.	ALTERNATOR KIT(2ND)(OPTIONAL)
42.	ALTERNATOR KIT(2ND)(ISOLATED TYPE)(OPTIONAL)
43.	ALTERNATOR(INNER PARTS)
44.	ALTERNATOR(INNER PARTS)(ISOLATED TYPE)
45.	WIRE HARNESS
48.	CLUTCH(OPTIONAL)
49.	DAMPER DISC(OPTIONAL)
50.	ELECTRIC PARTS(FOR SD60)
51.	PROPELLER NUT(FOR SD60)(OPTIONAL)

Contents

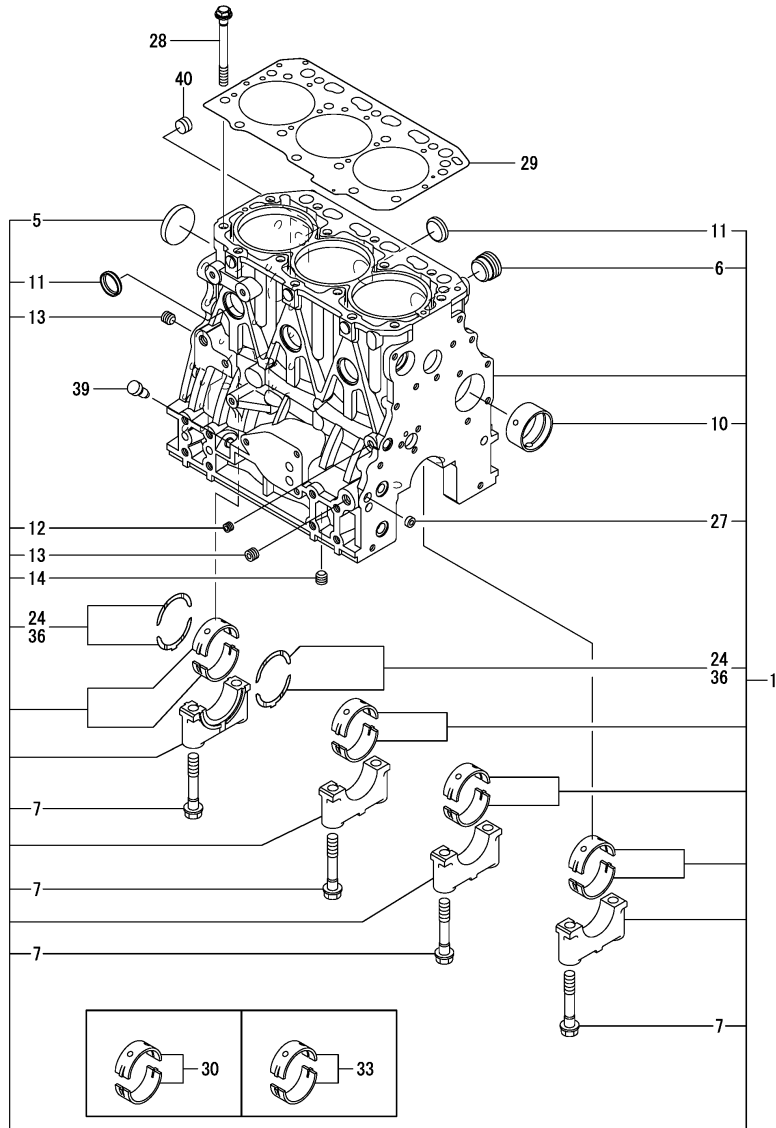
OCF50-M00270

Fig. No.	Fig. Name	Fig. No.	Fig. Name
52.	EMERGENCY STOP SWITCH		
56.	(52A)SENSOR(THROTTLE)(FOR A15, B25, C35 PANEL)		
46.	(52B)TERMINAL ADAPTER(FOR A15, B25, C35 PANEL)		
47.	(52C)EXTENSION HARNESS(FOR A15, B25, C35 PANEL)		
53.	INSTRUMENT PANEL(A15)(MEDALLION)		
54.	INSTRUMENT PANEL(B25)(MEDALLION)		
55.	INSTRUMENT PANEL(C35)(MEDALLION)		
57.	EMERGENCY STOP SWITCH(FOR A15, B25, C35 PANEL)(OPTIONAL)		
66.	(57A)DISPLAY(FOR A15, B25, C35 PANEL)(OPTIONAL)		
67.	(57B)CAN CONVERTOR(FOR A15, B25, C35 PANEL)(OPTIONAL)		
68.	(57C)VC10(SINGLE ENGINE)(OPTIONAL)		
69.	(57D)VC10(TWIN ENGINE)(OPTIONAL)		
70.	(57E)VC10(DISPLAY & PANEL)(INNER PARTS)		
71.	(57F)CAP(THROTTLE CONNECTOR)(FOR VC10)		
60.	FLEXIBLE MOUNT(FOR KM35A, KM35P)		
61.	FLEXIBLE MOUNT(FOR SD60)		
63.	LABEL(SAFETY)(BUNDLED ITEMS)		
58.	(63A)TOOL		
64.	REMOTE CONTROL HEAD(OPTIONAL)		
65.	REMOTE CONTROL CABLE(OPTIONAL)		

Fig.1. CYLINDER BLOCK

(A)=3JH40
(B)=
(C)=

(D)=
(E)=
(F)=



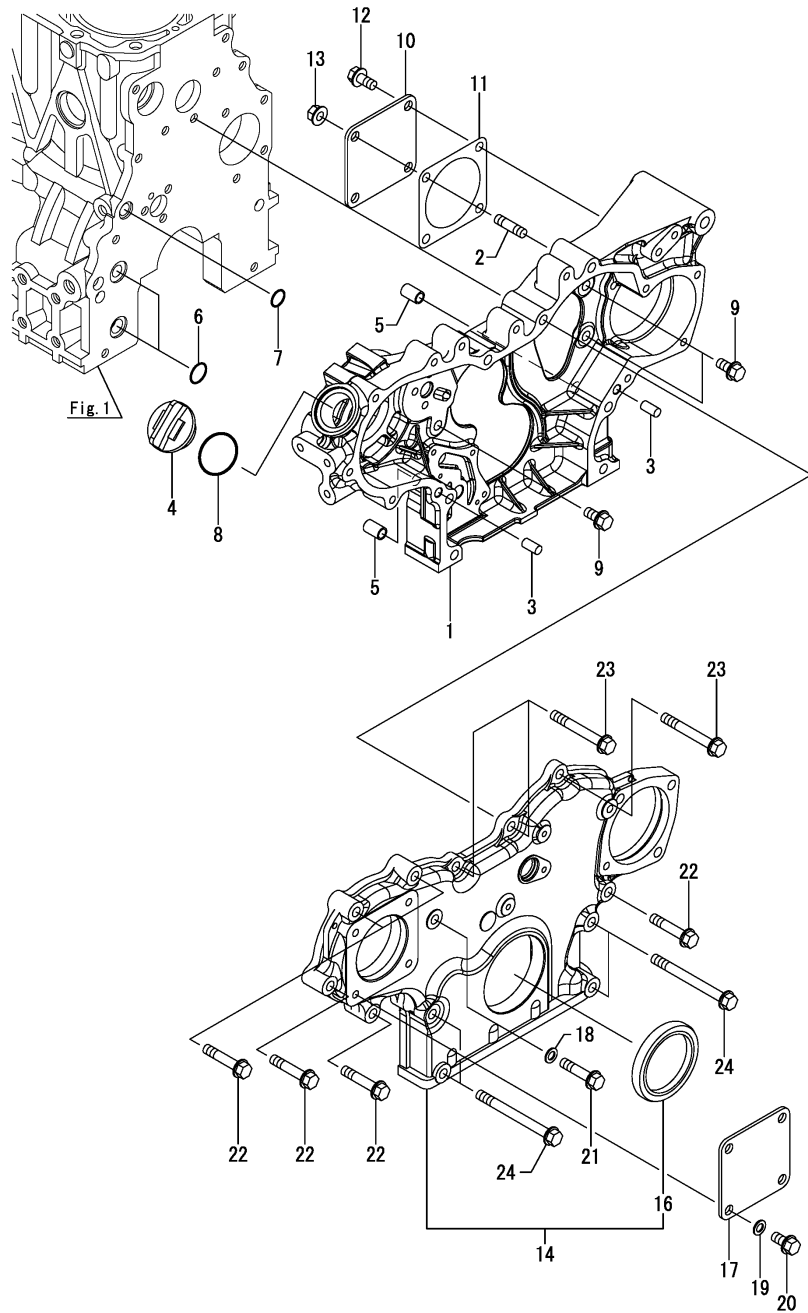
No.	Lev.	Parts No.	Description	Q'ty						I	R
				(A)	(B)	(C)	(D)	(E)	(F)		
1	1	129A00-01560	BLOCK ASSY, CYLINDER	1							
5	3	129001-01250	PLUG, 50	1							
6	3	171051-01921	PLUG, NPTF1	1							
7	3	129150-02020	BOLT, METAL CAP	8							
10	3	129795-02412	BUSH, CAMSHAFT	1							
11	3	27241-300000	PLUG 30	6							
12	2	124060-01050	PLUG, PT1/8	1							
13	2	124160-01910	PLUG, PT1/4	2							
14	2	124160-01910	PLUG, PT1/4	1							
24	2	129150-02931	METAL ASSY, THRUST	2							
27	2	27241-120000	PLUG, 12	1							
28	1	129150-01200	BOLT, CYLINDER HEAD	14							
29	1	129A00-01331	GASKET ASSY, HEAD	1							
30	1	129001-02931	METAL ASSY, MAIN	4							1
33	1	129150-02871	METAL ASSY, MAIN .25	4							2
36	1	129150-02941	METAL ASSY, 0.25 OS	1							3
39	1	124976-34850	PLUG	1							
40	1	23875-030000	PLUG, R03	1							

Remarks
 (1) Spare parts.
 (2) Under-sized (U.S.=0.25) parts.
 (3) Over-sized (O.S.=0.25) parts.

Fig.2. GEAR HOUSING

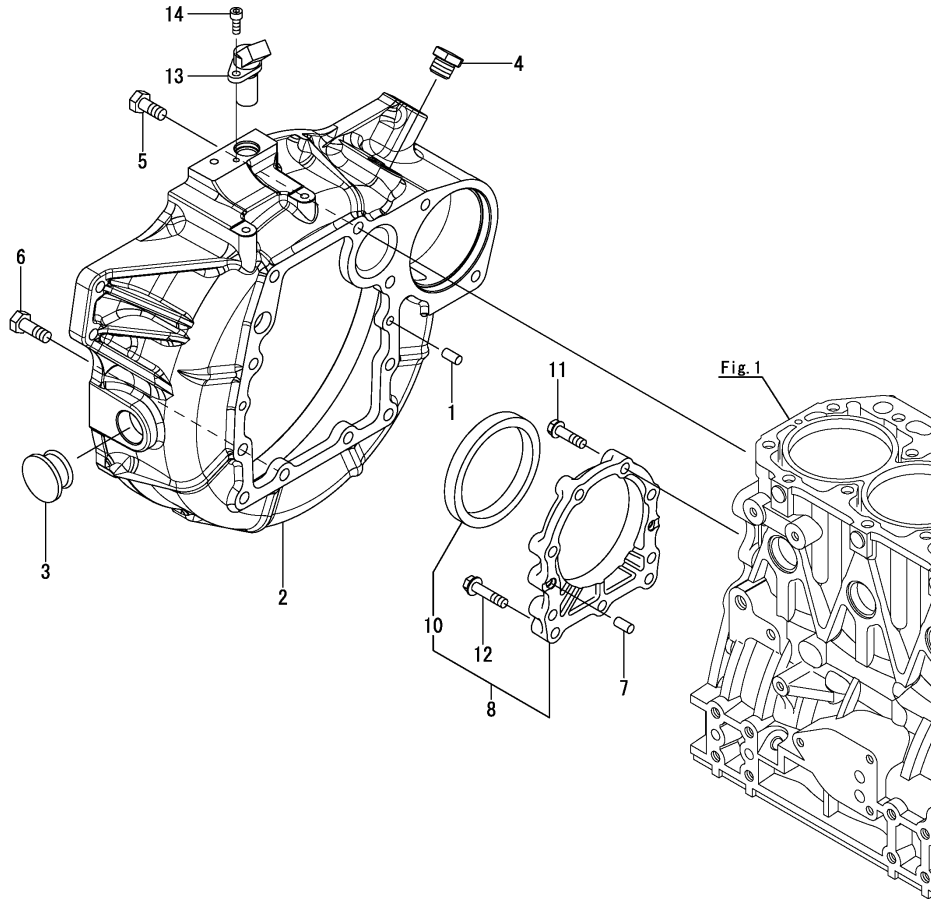
(A)=3JH40
(B)=
(C)=

(D)=
(E)=
(F)=



No.	Lev.	Parts No.	Description	Q'ty						I	R
				(A)	(B)	(C)	(D)	(E)	(F)		
1	1	129677-01500	CASE, GEAR	1							
2	1	121450-01560	BOLT, PUMP M8X22	1							
3	1	129100-01580	PIN, PARALLEL 8X16	2							
4	1	124160-01751	CAP, FILLER	1							
5	1	129795-01950	PIPE, KNOCK L=18	2							
6	1	119609-32040	O-RING, P16	2							
7	1	119624-32040	O-RING, P12.0	1							
8	1	24311-000320	O-RING, 1AP32.0	1							
9	1	26106-080162	BOLT, M8X 16 PLATED	3							
10	1	124240-01871	COVER, HYDRAULIC PUMP	1							
11	1	129C26-01890	GASKET, PUMP	1							
12	1	26106-080162	BOLT, M8X 16 PLATED	3							
13	1	26306-080002	NUT, M8	1							
14	1	129677-01550	COVER ASSY, CASE	1							
16	2	119934-01800	SEAL, OIL	1							
17	1	124240-01871	COVER, HYDRAULIC PUMP	1							
18	1	22190-080002	WASHER, SEAL 8	1							
19	1	22190-080002	WASHER, SEAL 8	4							
20	1	26106-080162	BOLT, M8X 16 PLATED	4							
21	1	26106-080352	BOLT, M8X 35 PLATED	1							
22	1	26106-080402	BOLT, M8X 40 PLATED	5							
23	1	26106-080602	BOLT, M8X 60 PLATED	3							
24	1	26106-080852	BOLT, M8X 85 PLATED	4							

Fig.3. FLYWHEEL HOUSING

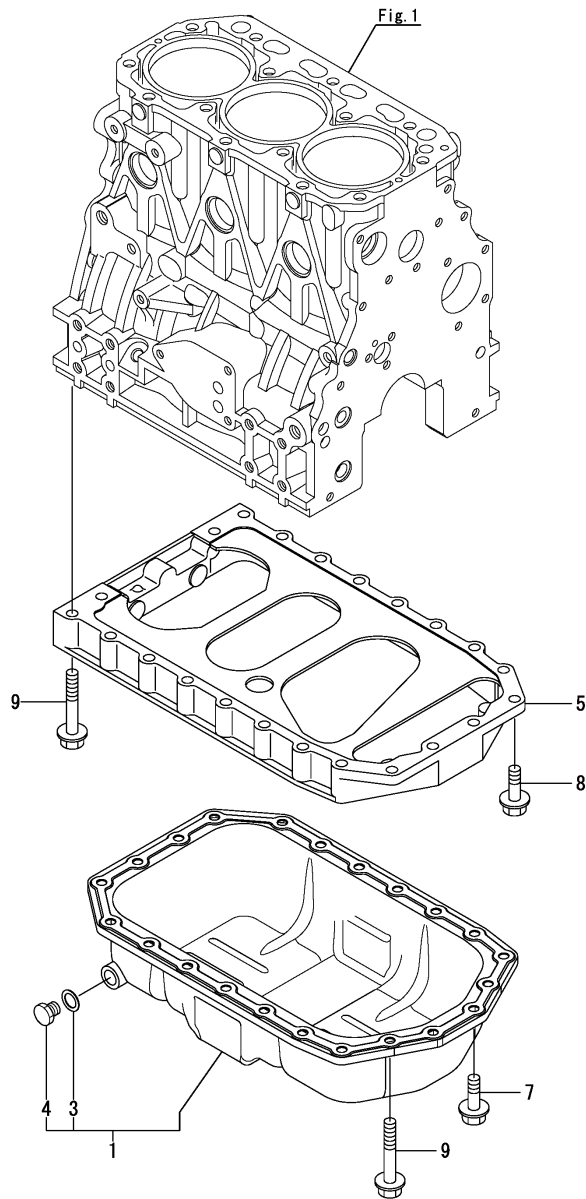


(A)=3JH40
(B)=
(C)=

(D)=
(E)=
(F)=

No.	Lev.	Parts No.	Description	Q'ty						I	R
				(A)	(B)	(C)	(D)	(E)	(F)		
1	1	129100-01580	PIN, PARALLEL 8X16	2							
2	1	129675-01620	HOUSING, FLYWHEEL	1							
3	1	119620-01750	CAP, WHEEL COVER	1							
4	1	23887-180002	PLUG, 18	1							
5	1	26206-100252	BOLT, M10X 25 PLATED	6							
6	1	26206-100302	BOLT, M10X 30 PLATED	4							
7	1	129100-01580	PIN, PARALLEL 8X16	2							
8	1	129100-01640	CASE ASSY, OIL SEAL	1							
10	2	129795-01780	SEAL, OIL	1							
11	1	129486-01670	BOLT, M8X30	6							
12	1	26106-080352	BOLT, M8X 35 PLATED	3							
13	1	129A00-21710	SENSOR, FLYWHEEL	1							
14	1	26450-060162	BOLT, M6X 16	1							

Fig.4. OIL SUMP



(A)=3JH40
(B)=
(C)=

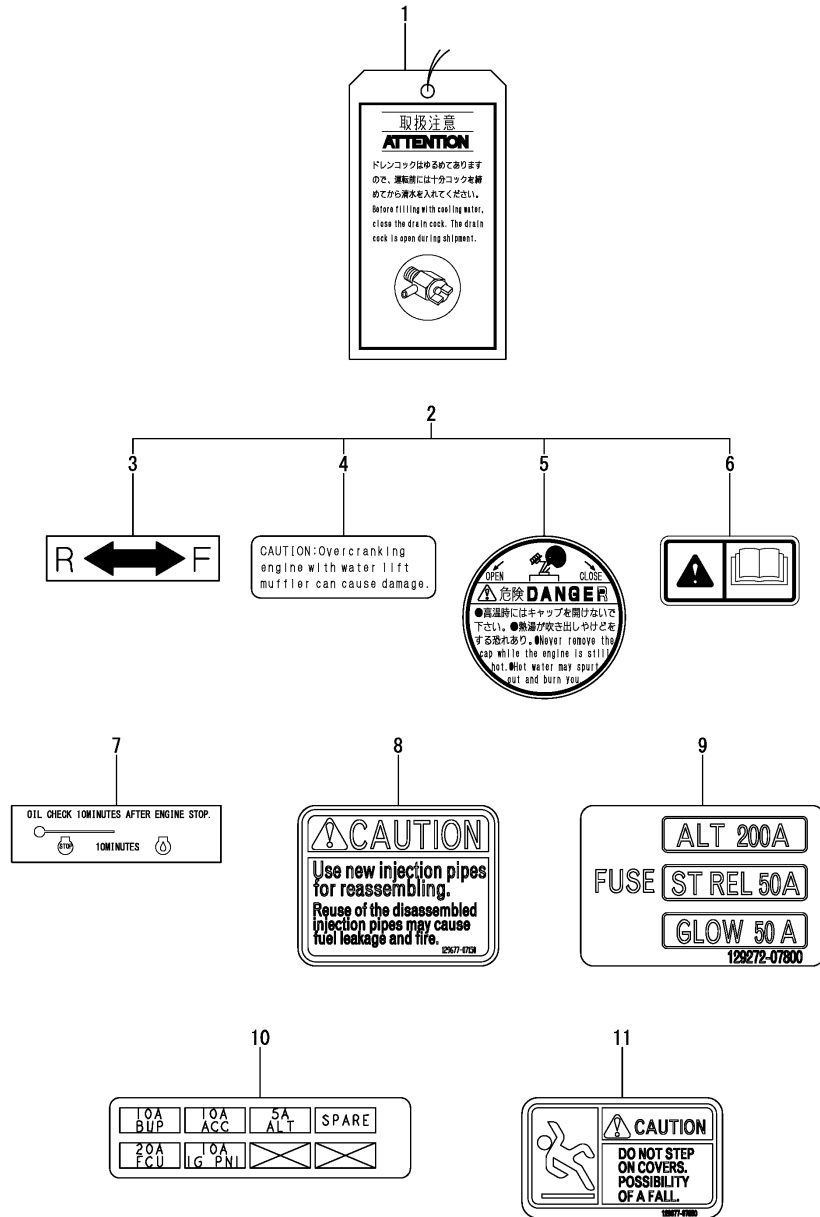
(D)=
(E)=
(F)=

No.	Lev.	Parts No.	Description	Q'ty						I	R
				(A)	(B)	(C)	(D)	(E)	(F)		
1	1	129271-01700	SUMP ASSY, OIL	1							
3	2	23414-140000	GASKET, 14X1.0	1							
4	2	23887-140002	PLUG M14	1							
5	1	129100-01730	SPACER, OIL PAN	1							
7	1	26106-080162	BOLT, M8X 16 PLATED	4							
8	1	26106-080252	BOLT, M8X 25 PLATED	2							
9	1	26106-080452	BOLT, M8X 45 PLATED	20							

Fig.6. LABEL

(A)=3JH40
(B)=
(C)=

(D)=
(E)=
(F)=

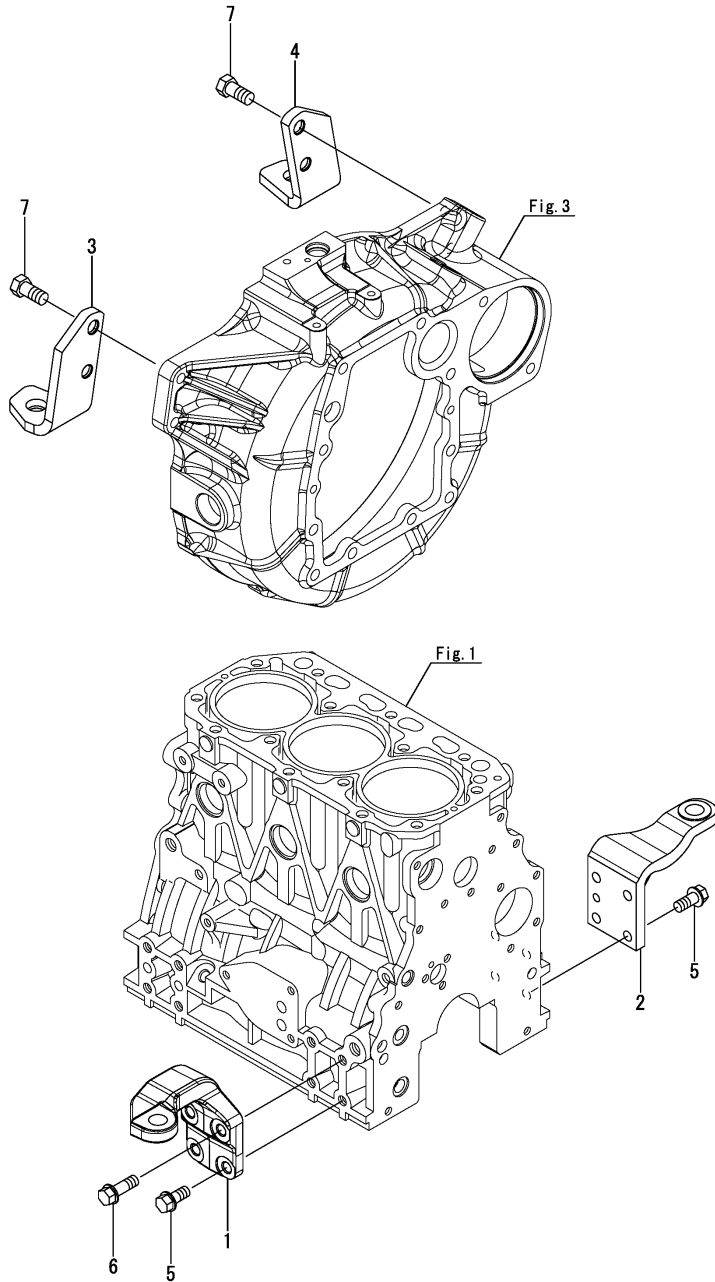


No.	Lev.	Parts No.	Description	Q'ty						I	R
				(A)	(B)	(C)	(D)	(E)	(F)		
1	1	123682-07852	LABEL, CAUTION	1							
2	1	128990-07900	LABEL ASSY, CAUTION	1							
3	2	177088-02430	LABEL	1							
4	2	128377-07150	LABEL, CAUTION	1							
5	2	128990-07270	LABEL, PRESSURE CAP	1							
6	2	196630-12980	LABEL, CAUTION	1							
7	1	128990-34900	LABEL, OIL CHECK	1							
8	1	129677-07150	LABEL, CAUTION INJ-P	1							
9	1	129272-07800	LABEL, FUSE	1							
10	1	129677-07810	LABEL, FUSE LOCATION	1							
11	1	129677-07850	LABEL, CAUTION	1							

Fig.7. MOUNTING FOOT

(A)=3JH40
(B)=
(C)=

(D)=
(E)=
(F)=

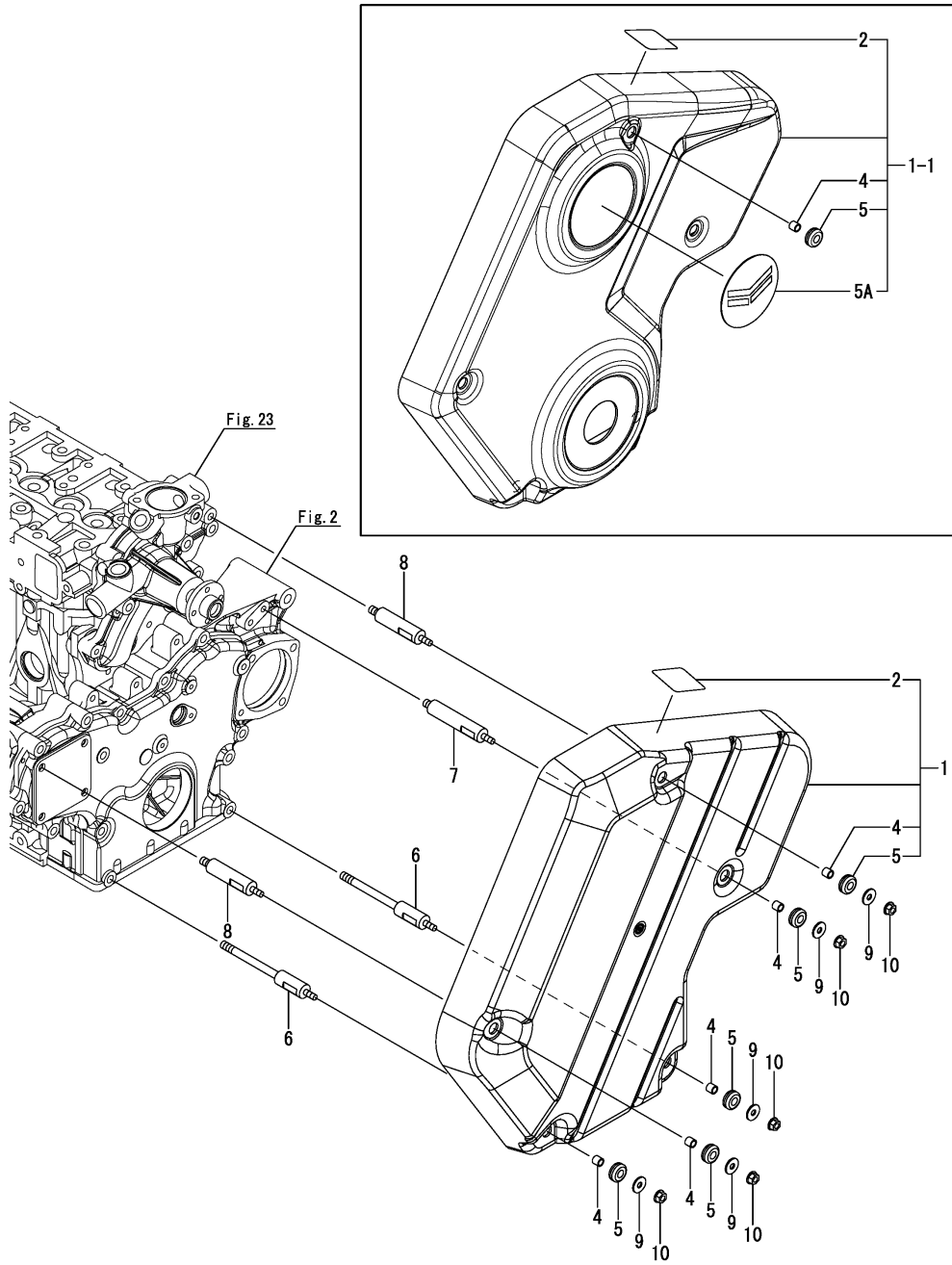


No.	Lev.	Parts No.	Description	Q'ty						I	R
				(A)	(B)	(C)	(D)	(E)	(F)		
1	1	129272-08100	FOOT, MOUNTING	1							
2	1	129670-08110	FOOT, MOUNTING	1							
3	1	129670-08120	FOOT, MOUNTING C	1							
4	1	129670-08130	FOOT, MOUNTING D	1							
5	1	26106-100222	BOLT, M10X 22 PLATED	6							
6	1	26106-100302	BOLT, M10X 30 PLATED	2							
7	1	26116-120252	BOLT, M12X 25 PLATED	4							

Fig.8. COVER(BELT)

(A)=3JH40
(B)=
(C)=

(D)=
(E)=
(F)=

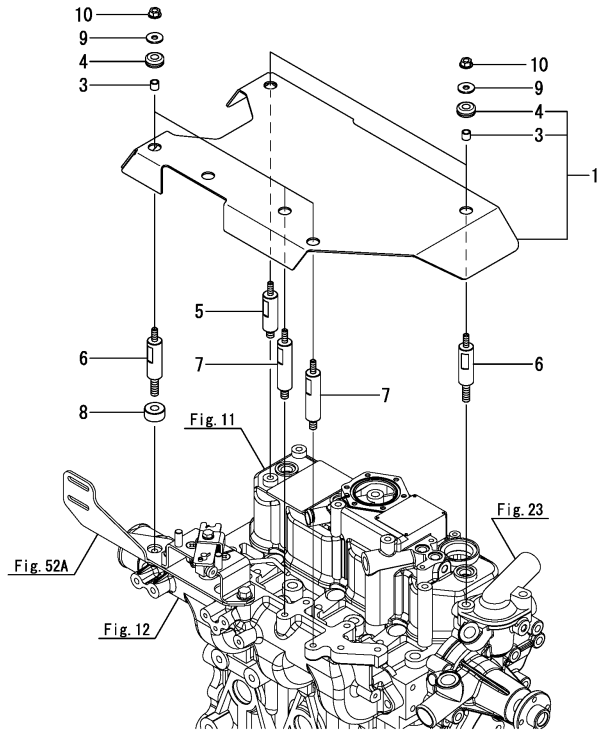
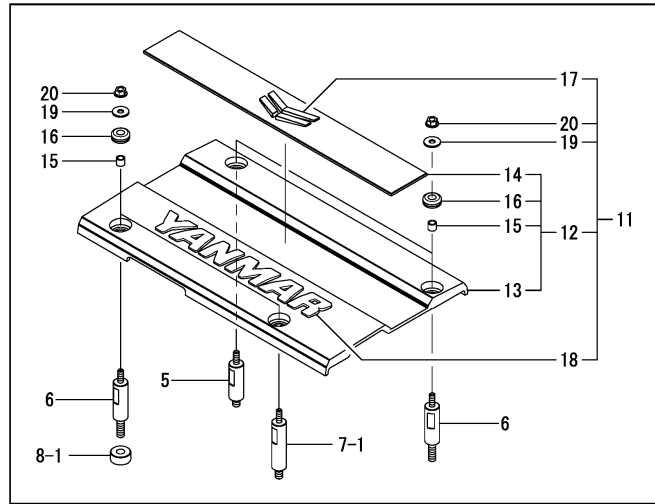


No.	Lev.	Parts No.	Description	Q'ty						I	R
				(A)	(B)	(C)	(D)	(E)	(F)		
1	1	129677-09000	COVER ASSY, BELT	1							
1-1	1	129677-09020	COVER ASSY, BELT	1							N
(A=*2017.12.)											
2	2	128377-07350	LABEL, CAUTION	1							
4	2	128990-77441	COLLAR, M6	5							
5	2	128990-77600	GROMMET, M6	5							
5A	2	1A8060-65250	LABEL, FLYING Y	1							W
(A=*2017.12.)											
6	1	129677-09411	BOLT, SPACER L=38	2							
7	1	129677-09431	BOLT, SPACER L=75	1							
8	1	129677-09481	BOLT, SPACER L=60	2							
9	1	128990-77510	WASHER, PLAIN	5							
10	1	26366-060002	NUT, M6	5							

Fig.9. COVER(ENGINE)

(A)=3JH40
(B)=
(C)=

(D)=
(E)=
(F)=



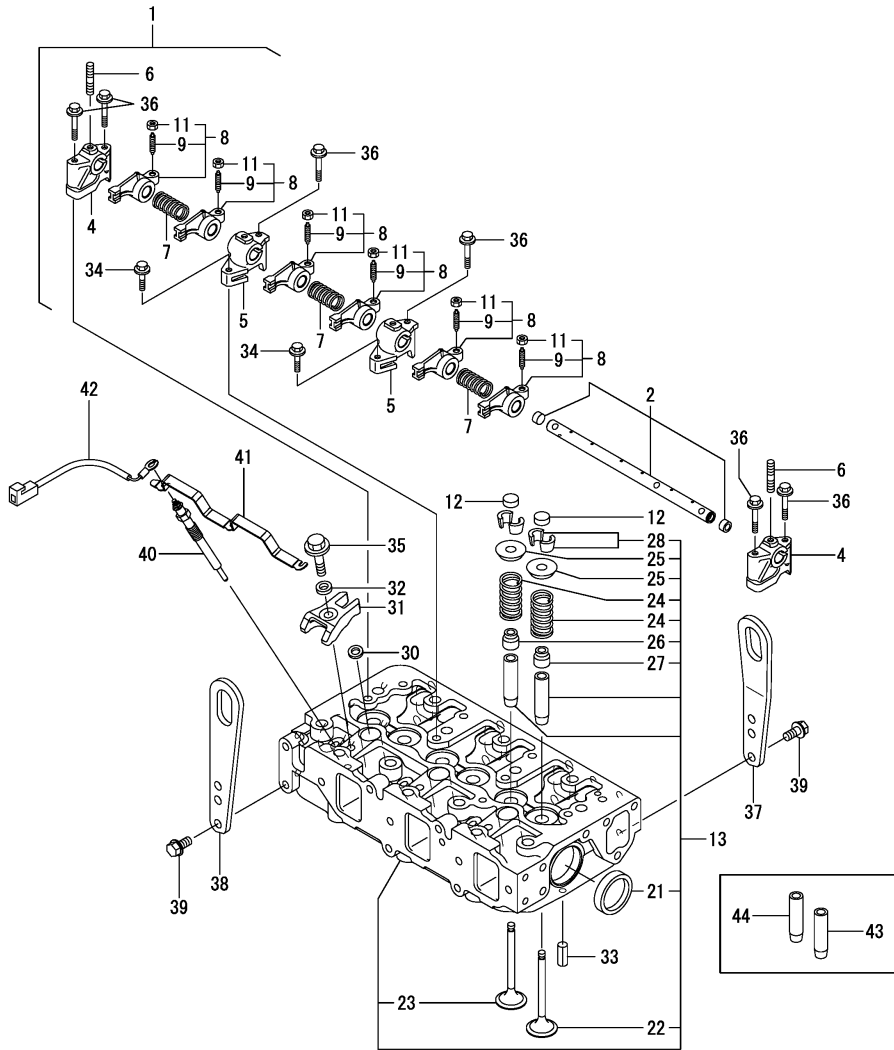
No.	Lev.	Parts No.	Description	Q'ty						I	R		
				(A)	(B)	(C)	(D)	(E)	(F)				
1	1	129272-09200	COVER ASSY, ENG. TOP	1							Z	1	
		(A=*2017.12.)											
3	2	128990-77441	COLLAR, M6	5								Z	
		(A=*2017.12.)											
4	2	128990-77600	GROMMET, M6	5								Z	
		(A=*2017.12.)											
5	1	129677-09461	BOLT, SPACER L=45	1									
6	1	129677-09471	BOLT, SPACER L=47	2									
7	1	129677-09481	BOLT, SPACER L=60	2									
7-1	1	129677-09481	BOLT, SPACER L=60	1								K	
		(A=*2017.12.)											
8	1	129677-09620	SPACER, TOPCOVER D=9	1									
8-1	1	129272-09620	SPACER, TOPCOVER 3JH	1								S	
		(A=*2017.12.)											
9	1	128990-77510	WASHER, PLAIN	5								Z	
		(A=*2017.12.)											
10	1	26366-060002	NUT, M6	5								Z	
		(A=*2017.12.)											
11	1	129272-09300	COVER ASSY, TOP	1								W	1
		(A=*2017.12.)											
12	2	129272-09290	COVER SUB ASSY, TOP	1									
13	3	129272-09310	COVER, TOP BASE	1									
14	3	129272-09320	PLATE, TOP COVER	1									
15	3	128990-77441	COLLAR, M6	4									
16	3	128990-77600	GROMMET, M6	4									
17	2	129272-09330	EMBLEM, FY S04	1									
18	2	129677-09340	MARK, YANMAR PR L250	1									
19	2	128990-77510	WASHER, PLAIN	4									
20	2	26366-060002	NUT, M6	4									

Remarks

(1)Interchangeability of No.1 & No.11 applies to 'N'.

N:Old $\xrightarrow{\text{Yes}}$ New, Q:Old $\xrightarrow{\text{No}}$ New, R:Old $\xrightarrow{\text{Yes}}$ New, S:Old $\xrightarrow{\text{No}}$ New, W:Add, Z:Discontinued, F:Interchangeable by set, K:Q'ty Change

Fig.10. CYLINDER HEAD



(A)=3JH40
(B)=
(C)=

(D)=
(E)=
(F)=

No.	Lev.	Parts No.	Description	Qty						I	R
				(A)	(B)	(C)	(D)	(E)	(F)		
1	1	129004-11241	SHAFT ASSY, ROCKER	1							
2	2	129004-11251	SHAFT, ROCKER ARM	1							
4	2	119802-11260	SUPPORT, ROCKER ARM	2							
5	2	119802-11270	SUPPORT, ROCKER ARM	2							
6	2	119802-11280	BOLT, STUD	3							
7	2	129150-11280	SPRING, SHAFT	3							
8	2	129004-11650	ARM ASSY, ROCKER	6							
9	3	129150-11230	SCREW, VALVE ADJUST	6							
11	3	129150-11750	NUT, M8XP1.0	6							
12	1	129150-11370	CAP, VALVE	6							
13	1	129272-11700	HEAD ASSY, CYLINDER	1							
21	3	27241-400000	PLUG, 40	2							
22	2	129005-11100	VALVE, INTAKE	3							
23	2	129100-11112	VALVE, EXHAUST	3							
24	2	129795-11120	SPRING, VALVE	6							
25	2	129795-11180	RETAINER, SPRING	6							
26	2	121400-11340	SEAL, VALVE STEM	3							
27	2	124460-11340	SEAL, VALVE STEM	3							
28	2	27310-080001	COTTER, 8	6							
30	1	129978-11871	GASKET, INJECTOR	3							
31	1	129A00-11900	RETAINER, INJECTOR	3							
32	1	120270-54410	WASHER, INJECTOR	3							
33	1	22351-060012	PIN, SPRING 6.0X12	2							
34	1	26106-080252	BOLT, M8X 25 PLATED	2							
35	1	26106-080352	BOLT, M8X 35 PLATED	3							
36	1	26106-080502	BOLT, M8X 50 PLATED	6							
37	1	129272-07900	LIFTER, ENGINE	1							
38	1	129900-07900	LIFTER, ENGINE	1							
39	1	26106-080162	BOLT, M8X 16 PLATED	4							
40	1	129008-77800	PLUG, GLOW	3							
41	1	129A00-77820	CONNECTOR, GLOW PLUG	1							
42	1	119803-77830	HARNES, WIRE	1							
43	1	120130-11860	GUIDE, VALVE	3							1
44	1	129150-11810	GUIDE, VALVE	3							1

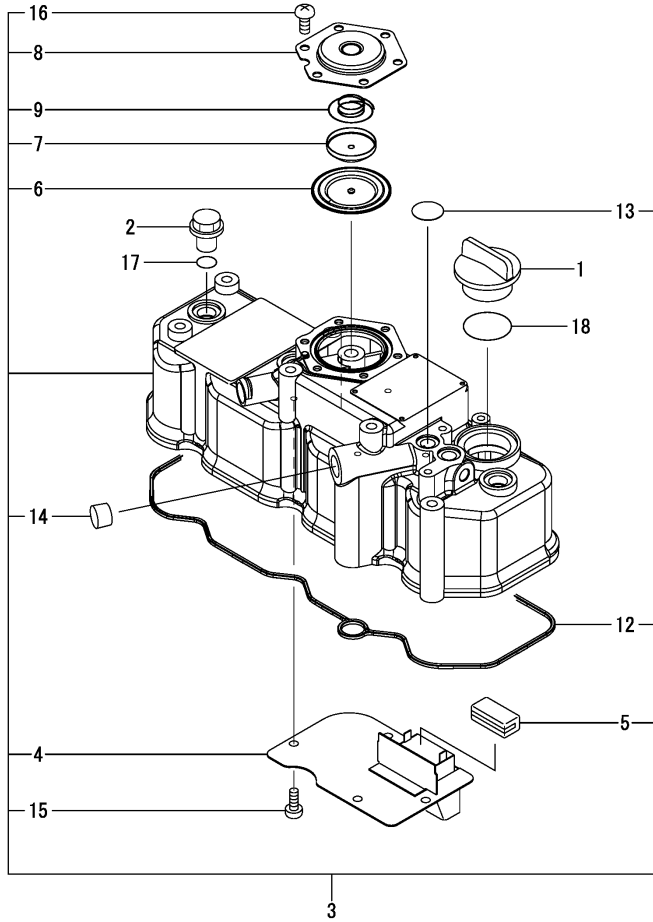
Remarks

(1) Spare parts.

Fig.11. BONNET

(A)=3JH40
(B)=
(C)=

(D)=
(E)=
(F)=



No.	Lev.	Parts No.	Description	Q'ty						I	R
				(A)	(B)	(C)	(D)	(E)	(F)		
1	1	124160-01751	CAP, FILLER	1							
2	1	124160-11360	KNOB, BONNET	3							
3	1	129272-11360	BONNET ASSY,W/O SENS	1							
4	2	129004-03010	PLATE, BAFFLE	1							
5	2	129150-03070	BAFFLE, BREATHER	1							
6	2	123907-03100	DIAPHRAGM, BREATHER	1							
7	2	123907-03110	PLATE, CENTER	1							
8	2	123907-03120	PLATE, BREATHER	1							
9	2	123907-03140	SPRING, DIAPHRAGM	1							
12	2	129A00-11310	GASKET, BONNET	1							
13	2	129272-11380	SEAL,BONNET	1							
14	2	119640-61400	PLUG	1							
15	2	22857-500100	SCREW, 5X10	4							
16	2	22857-500100	SCREW, 5X10	6							
17	1	24311-000120	O-RING, 1AP12.0	3							
18	1	24311-000320	O-RING, 1AP32.0	1							

Fig.12. SUCTION MANIFOLD

(A)=3JH40
(B)=
(C)=

(D)=
(E)=
(F)=

No.	Lev.	Parts No.	Description	Q'ty						I	R
				(A)	(B)	(C)	(D)	(E)	(F)		
1	1	129272-12100	MANIFOLD ASSY,INTAKE	1							
4	2	26216-060202	STUD, M6X 20	4							
5	1	129150-12111	GASKET, MANIFOLD	1							
6	1	26106-080252	BOLT, M8X 25 PLATED	4							

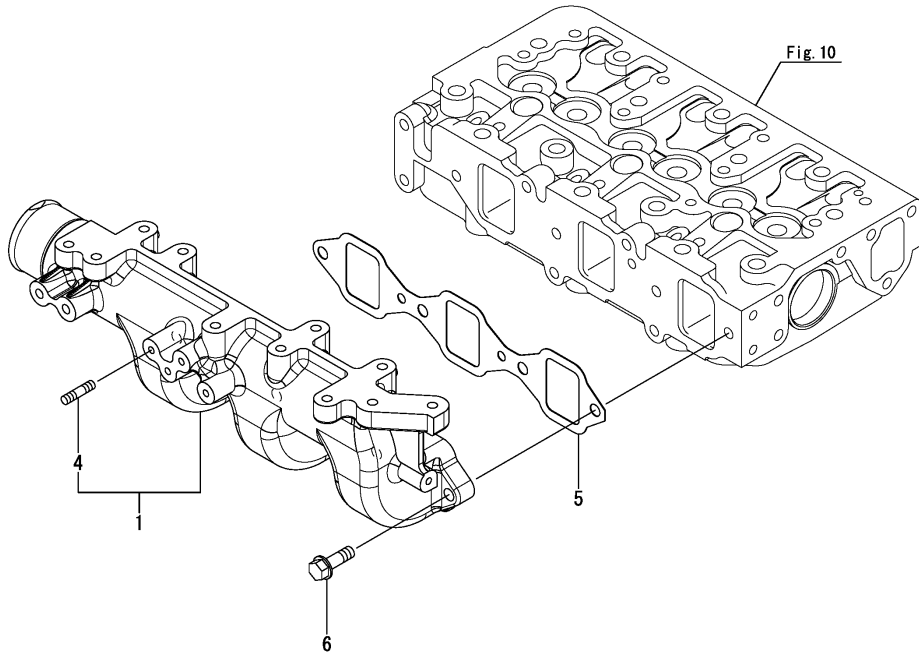
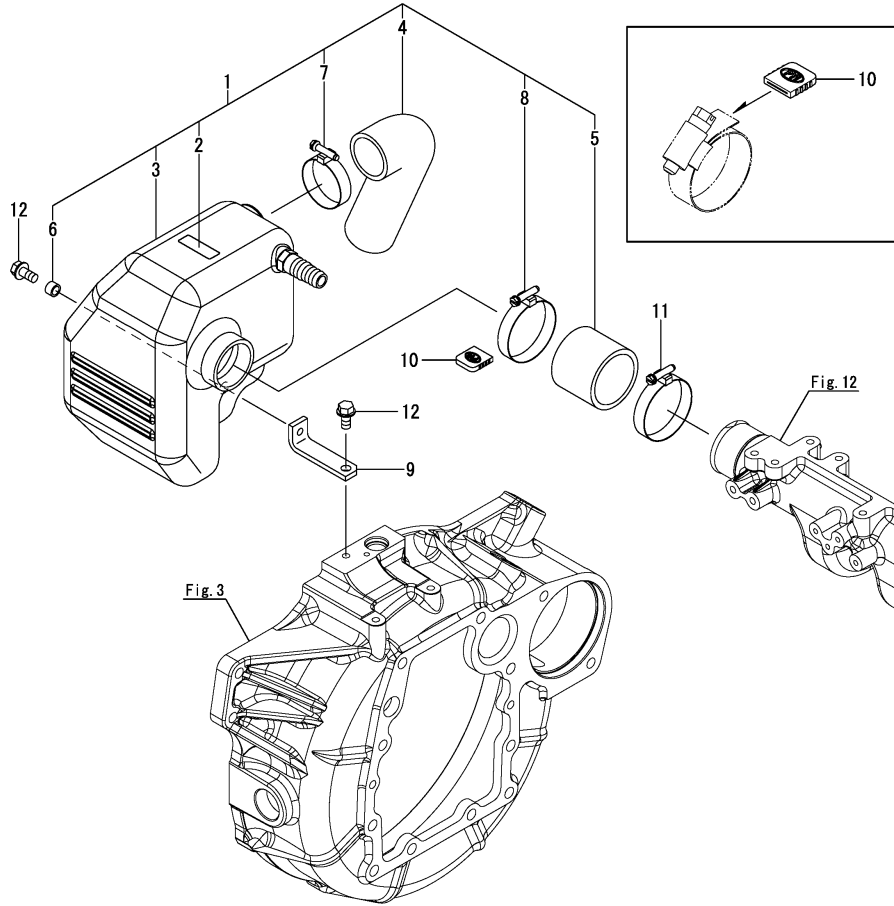


Fig.13. AIR INTAKE SILENCER

(A)=3JH40
(B)=
(C)=

(D)=
(E)=
(F)=



No.	Lev.	Parts No.	Description	Q'ty						I	R
				(A)	(B)	(C)	(D)	(E)	(F)		
1	1	129670-12290	SILENCER ASSY,INTAKE	1							
2	2	128377-07150	LABEL, CAUTION	1							
3	2	129271-12311	SILENCER, INTAKE	1							
4	2	129670-12360	PIPE, SILENCER	1							
5	2	129271-12810	JOINT, RUBBER	1							
6	2	128990-77430	COLLAR, BRACKET	1							
7	2	23000-048000	CLAMP, 48	1							
8	2	23000-060000	CLAMP, 60	1							
9	1	129272-12410	BRACKET, SILENCER	1							
10	1	129677-49950	PROTECTOR,HOSE CLAMP	3							1
11	1	23000-060000	CLAMP, 60	1							
12	1	26106-080162	BOLT, M8X 16 PLATED	2							

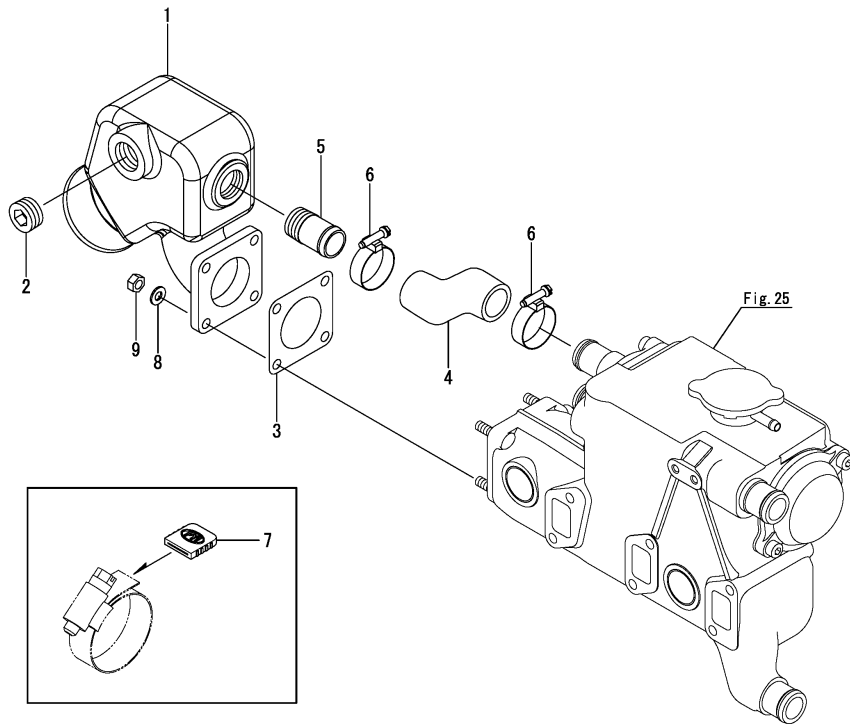
Remarks

(1)Attached to the ends of No.7, 8 & 11 hose clamps.

Fig.14. MIXING ELBOW(U TYPE)

(A)=3JH40
(B)=
(C)=

(D)=
(E)=
(F)=



No.	Lev.	Parts No.	Description	Q'ty						I	R
				(A)	(B)	(C)	(D)	(E)	(F)		
1	1	129470-13541	ELBOW, MIXING	1							
2	1	129472-13560	PLUG, SCREW PT3/4	1							
3	1	129472-18090	GASKET, TURBINE IN	1							
4	1	129670-49280	PIPE, SEA WATER	1							
5	1	123325-49421	JOINT, PIPE	1							
6	1	129670-49500	CLIP, HOSE 38	2							
7	1	129677-49950	PROTECTOR,HOSE CLAMP	2							1
8	1	22137-080000	WASHER, 8	4							
9	1	26703-080002	NUT, M8	4							

Remarks

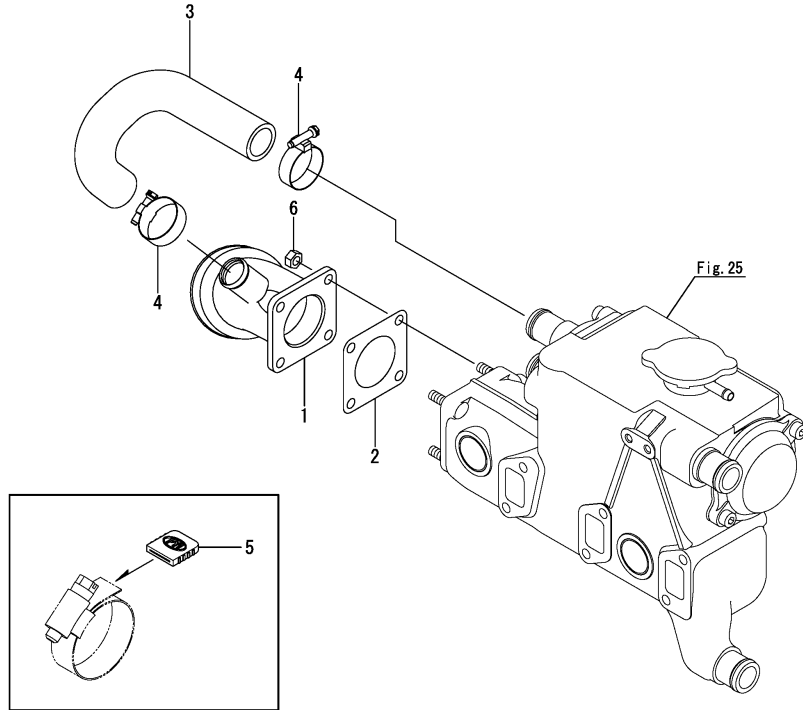
(1)Attached to the ends of No.6 hose clamps.

Fig.15. MIXING ELBOW(L TYPE)

(A)=3JH40
(B)=
(C)=

(D)=
(E)=
(F)=

No.	Lev.	Parts No.	Description	Q'ty						I	R
				(A)	(B)	(C)	(D)	(E)	(F)		
1	1	129670-13561	ELBOW, WATER MIXING	1							
2	1	129472-18090	GASKET, TURBINE IN	1							
3	1	129670-49150	PIPE, SEA WATER D	1							
4	1	129670-49500	CLIP, HOSE 38	2							
5	1	129677-49950	PROTECTOR,HOSE CLAMP	2							1
6	1	26703-080002	NUT, M8	4							



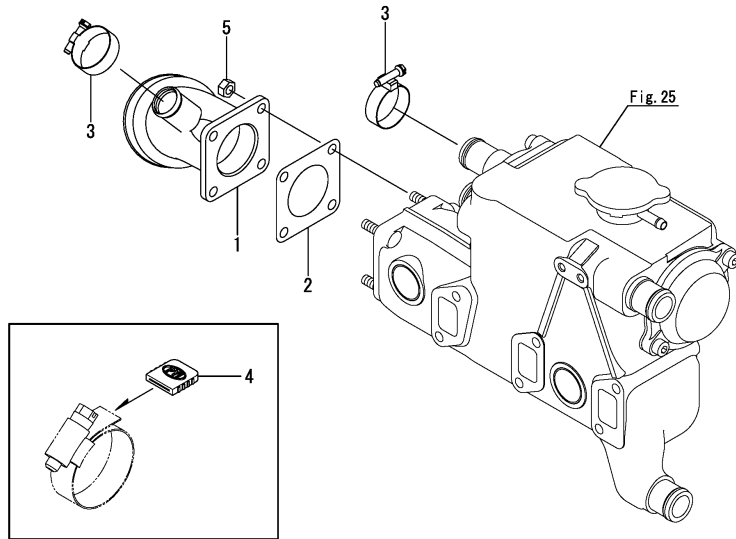
Remarks
(1)Attached to the ends of No.4 hose clamps.

Fig.16. MIXING ELBOW(L TYPE)(FOR BJT)

(A)=3JH40
(B)=
(C)=

(D)=
(E)=
(F)=

No.	Lev.	Parts No.	Description	Q'ty						I	R
				(A)	(B)	(C)	(D)	(E)	(F)		
1	1	129670-13561	ELBOW, WATER MIXING	1							
2	1	129472-18090	GASKET, TURBINE IN	1							
3	1	129670-49500	CLIP, HOSE 38	2							
4	1	129677-49950	PROTECTOR,HOSE CLAMP	2							1
5	1	26703-080002	NUT, M8	4							



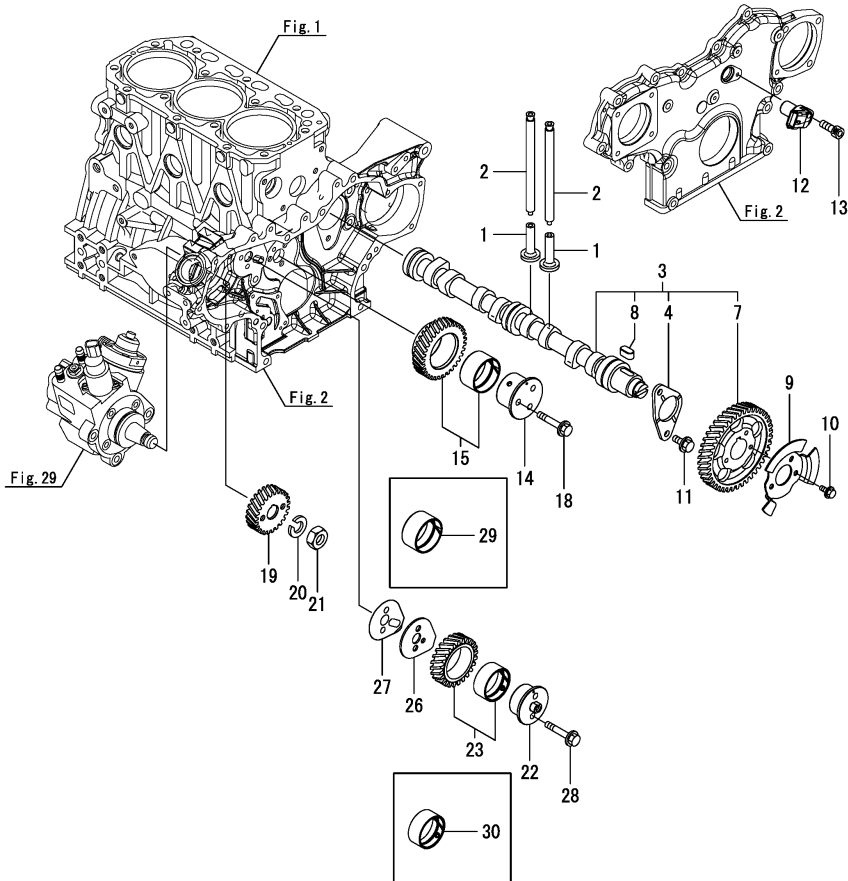
Remarks

(1)Attached to the ends of No.3 hose clamps.

Fig.17. CAMSHAFT & DRIVING GEAR

(A)=3JH40
(B)=
(C)=

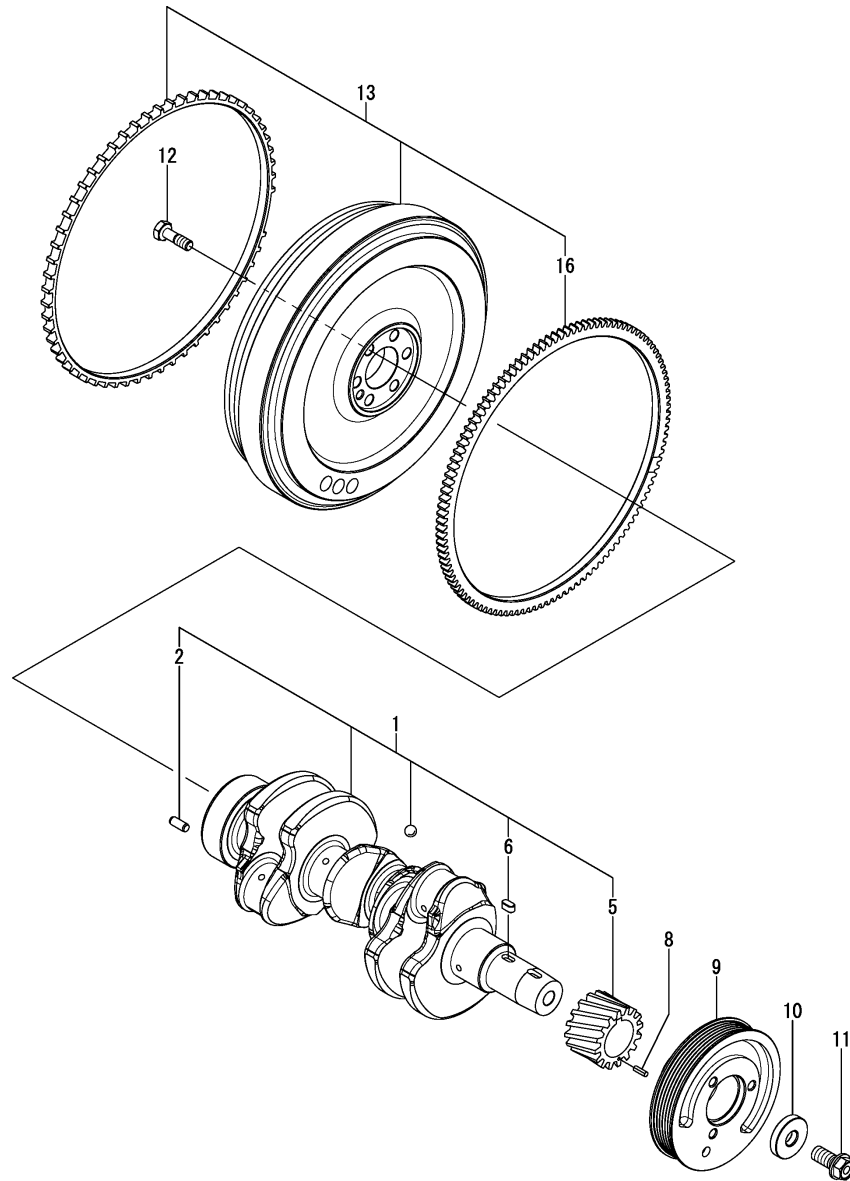
(D)=
(E)=
(F)=



No.	Lev.	Parts No.	Description	Q'ty						I	R
				(A)	(B)	(C)	(D)	(E)	(F)		
1	1	129150-14200	TAPPET	6							
2	1	129150-14400	ROD, PUSH L=178	6							
3	1	129A00-14580	CAMSHAFT ASSY	1							
4	2	129150-02450	METAL, THRUST	1							
7	2	129A00-14100	GEAR, CAMSHAFT	1							
8	2	22512-070140	KEY, 7X 14	1							
9	1	129A00-14700	PULSER, CAMSHAFT	1							
10	1	26106-060102	BOLT, M6X 10 PLATED	3							
11	1	26106-080142	BOLT, M8X 14 PLATED	2							
12	1	129A00-14710	SENSOR, ROTATION	1							
13	1	26450-060162	BOLT, M6X 16	1							
14	1	129A00-25050	SHAFT, IDLE GEAR A	1							
15	1	129A00-25110	GEAR ASSY, IDLE A	1							
18	1	26106-080452	BOLT, M8X 45 PLATED	3							
19	1	129A00-25900	GEAR, SUPPLY PUMP	1							
20	1	22217-180000	WASHER, SPRING 18	1							
21	1	26776-180002	NUT, LOCK M18	1							
22	1	129A00-25060	SHAFT, IDLE GEAR B	1							
23	1	129A00-25120	GEAR ASSY, IDLE B	1							
26	1	129A00-25200	PLATE, IDLE SHAFT B	1							
27	1	129A00-25210	GASKET, IDLE SHAFT B	1							
28	1	26106-080402	BOLT, M8X 40 PLATED	2							
29	1	119802-25071	BUSH, IDLE GEAR	1							1
30	1	129A00-25080	BUSH, IDLE GEAR B	1							1

Remarks
(1) Spare parts.

Fig.18. CRANKSHAFT & FLYWHEEL



(A)=3JH40
(B)=
(C)=

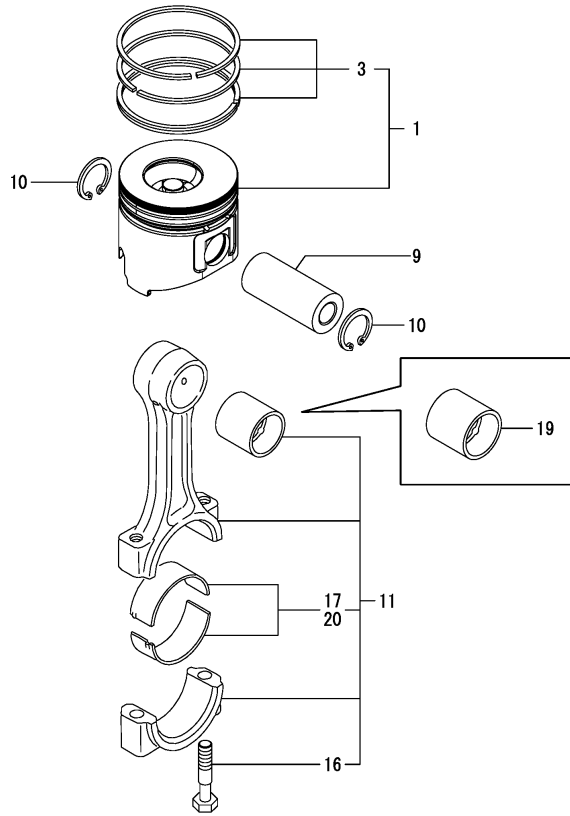
(D)=
(E)=
(F)=

No.	Lev.	Parts No.	Description	Q'ty						I	R
				(A)	(B)	(C)	(D)	(E)	(F)		
1	1	129008-21000	CRANKSHAFT ASSY	1							
2	2	129100-01580	PIN, PARALLEL 8X16	1							
5	2	119803-21200	GEAR, CRANKSHAFT	1							
6	2	22512-070140	KEY, 7X 14	1							
8	1	22351-030010	PIN, SPRING 3.0X10	1							
9	1	129272-21600	PULLEY, CRANK RIB	1							
10	1	129795-21661	WASHER, 14	1							
11	1	121850-21680	BOLT, V-PULLEY	1							
12	1	121111-21501	BOLT, FLYWHEEL	6							
13	1	129272-21580	FLYWHEEL ASSY	1							
16	2	119865-21600	GEAR, RING Z=116	1							

Fig.19. PISTON & CONNECTING ROD

(A)=3JH40
(B)=
(C)=

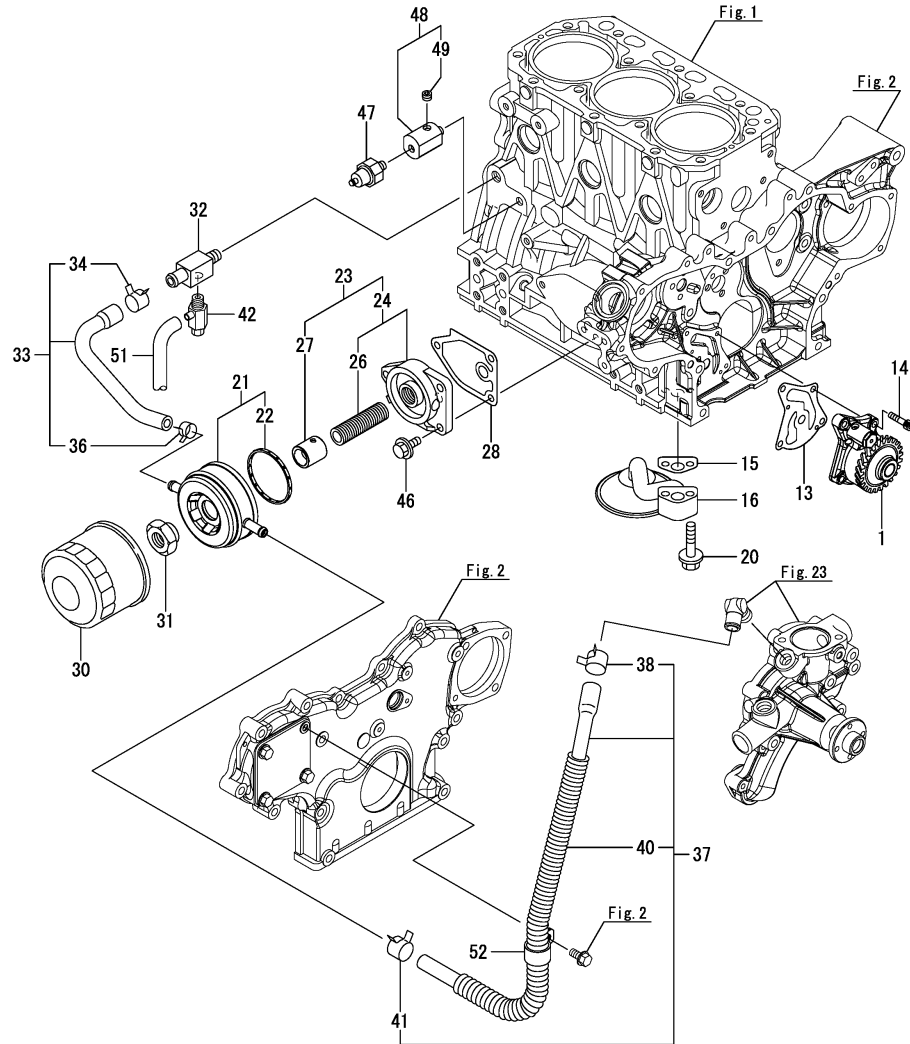
(D)=
(E)=
(F)=



No.	Lev.	Parts No.	Description	Q'ty						I	R
				(A)	(B)	(C)	(D)	(E)	(F)		
1	1	129675-22000	PISTON ASSY	3							
3	2	129A00-22500	RING SET, PISTON	3							
9	1	129202-22300	PIN, PISTON D26 L70	3							
10	1	22252-000260	RING, 26	6							
11	1	729402-23100	ROD ASSY, CONNECTING	3							
16	3	121550-23200	BOLT, CONNECTING ROD	6							
17	2	129150-23601	METAL ASSY,CRANK PIN	3							
19	1	129100-23910	METAL, PISTON PIN	3							1
20	1	129150-23611	METAL, CRANK PIN .25	3							2

Remarks
(1)Spare parts.
(2)Under-sized(U.S.=0.25) parts.

Fig.20. LUB. OIL SYSTEM



(A)=3JH40

(B)=

(C)=

(D)=

(E)=

(F)=

No.	Lev.	Parts No.	Description	Q'ty						I	R
				(A)	(B)	(C)	(D)	(E)	(F)		
1	1	129A00-32000	PUMP ASSY, OIL	1							
13	1	129486-32020	GASKET, PUMP	1							
14	1	26450-060252	BOLT, M6X 25	4							
15	1	129150-35042	GASKET, INLET PIPE	1							
16	1	129150-35091	PIPE ASSY, OIL INLET	1							
20	1	26106-080352	BOLT, M8X 35 PLATED	2							
21	1	129508-33031	COOLER ASSY, OIL	1							
22	2	129508-33060	GASKET, COOLER	1							
23	1	129508-35100	BRACKET ASSY, LO FILT	1							
24	2	129006-35100	BRACKET ASSY, FILTER	1							
26	3	129417-35150	STUD, M20X67	1							
27	2	129508-35150	COLLAR, OIL-COOLER	1							
28	1	129150-35111	GASKET, BRACKET	1							
30	1	119305-35170	FILTER ASSY, D68XL65	1							1
31	1	124085-35350	NUT, M20	1							
32	1	129006-44480	JOINT, R02	1							
33	1	129508-49030	HOSE ASSY, COOLER IN	1							
34	2	171008-03990	CLAMP, HOSE 18.5	1							
36	2	23080-015000	CLAMP, 15	1							
37	1	129508-49040	HOSE ASSY, COOLER OUT	1							
38	2	171008-03990	CLAMP, HOSE 18.5	1							
40	2	119940-59130	TUBE, CORRUGATED 19	1							
41	2	23080-015000	CLAMP, 15	1							
42	1	119620-49290	COCK ASSY, 1/4	1							
46	1	26106-080202	BOLT, M8X 20 PLATED	3							
47	1	121252-39450	SWITCH, HYDRAULIC	1							
48	1	129670-39600	DAMPER ASSY, R1/8	1							
49	2	23875-010000	PLUG, R01	1							
51	1	23061-070300	PIPE, 7X 300	1							
52	1	121575-49310	RETAINER, PIPE	1							

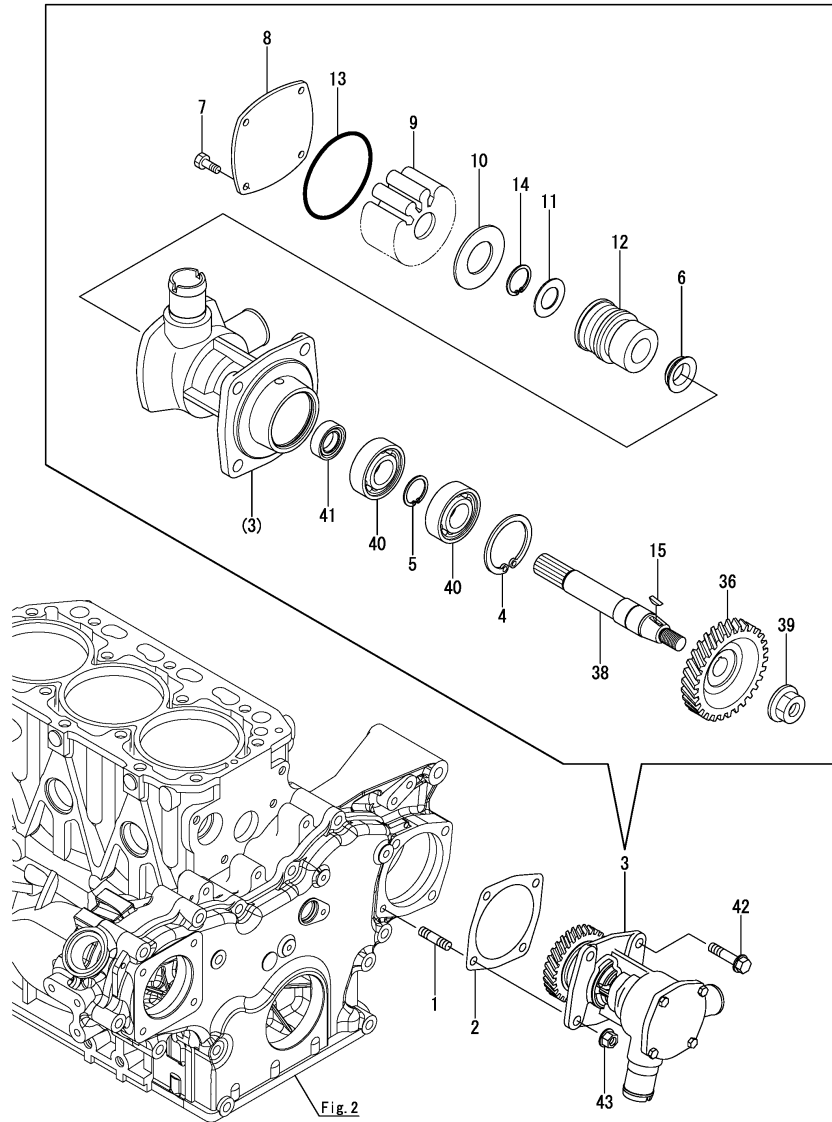
Remarks

(1) Spare parts.

Fig.22. COOLING PUMP(SEA WATER)

(A)=3JH40
(B)=
(C)=

(D)=
(E)=
(F)=



No.	Lev.	Parts No.	Description	Q'ty						I	R
				(A)	(B)	(C)	(D)	(E)	(F)		
1	1	121450-01560	BOLT, PUMP M8X22	1							
2	1	129150-01881	GASKET, PUMP COVER	1							
3	1	129271-42502	PUMP ASSY, WATER	1							
4	2	120650-42350	RING, RETAINING	1							
5	2	120650-42380	RING, RETAINING	1							
6	2	120650-42420	V-RING	1							
7	2	129271-42510	SCREW	4							
8	2	129670-42520	COVER, END	1							
9	2	129670-42531	IMPELLER, PUMP	1							
10	2	129670-42540	PLATE, WEAR	1							
11	2	129670-42550	WASHER	1							
12	2	129670-42560	SEAL, MECHANICAL	1							
13	2	119773-42570	O-RING	1							
14	2	129670-42570	RING, RETAINING	1							
15	2	129670-42580	KEY	1							
16	2	129670-42590	WEAR KIT	1							1
23	2	129670-42600	SHAFT KIT	1							2
32	2	129670-42610	IMPELLER KIT	1							3
36	2	129271-42700	GEAR, PUMP	1							
38	2	X0146531	SHAFT	1							
39	2	X0505526	NUT, LOCK	1							
40	2	X0508129	BEARING	2							
41	2	X0529105	SEAL	1							
42	1	26106-080352	BOLT, M8X 35 PLATED	3							
43	1	26366-080002	NUT, M8	1							

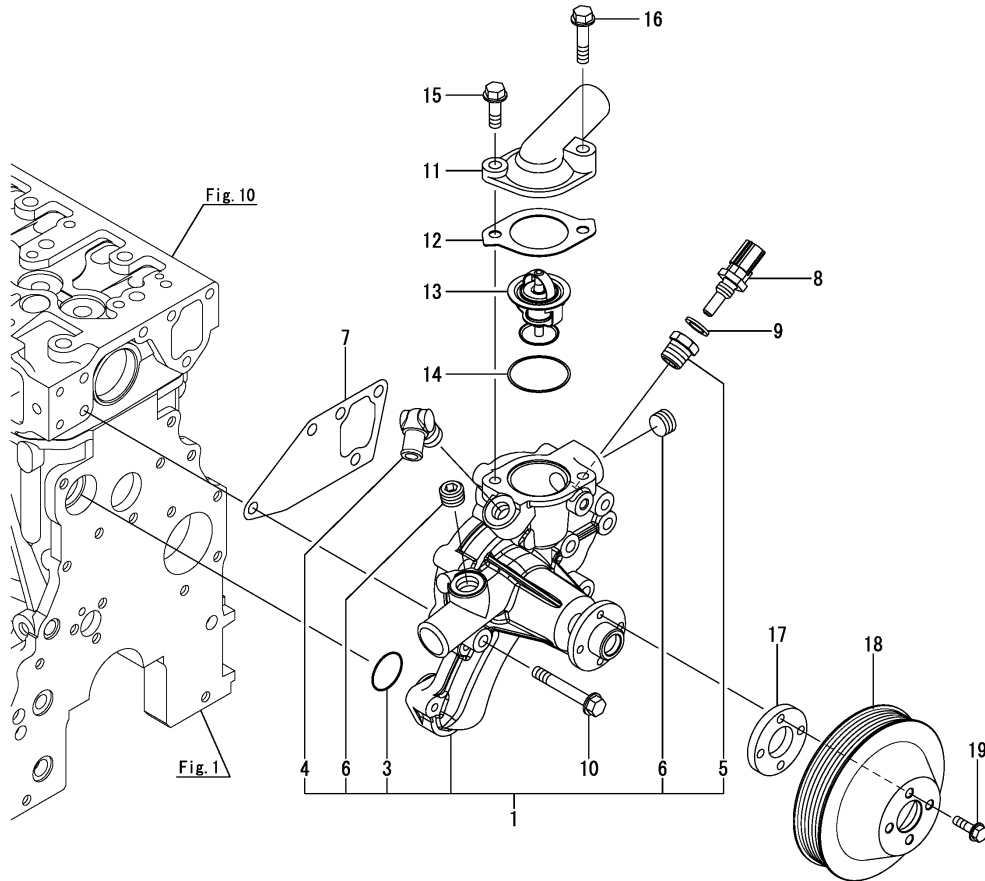
Remarks

- (1)Not illustrated(Include No.8, 10, 11, 12, 13 & 14).
- (2)Not illustrated(Include No.4, 5, 6, 15, 38, 39, 40 & 41).
- (3)Not illustrated(Include No.7, 9 & 13).

Fig.23. COOLING PUMP(FRESH WATER)

(A)=3JH40
(B)=
(C)=

(D)=
(E)=
(F)=

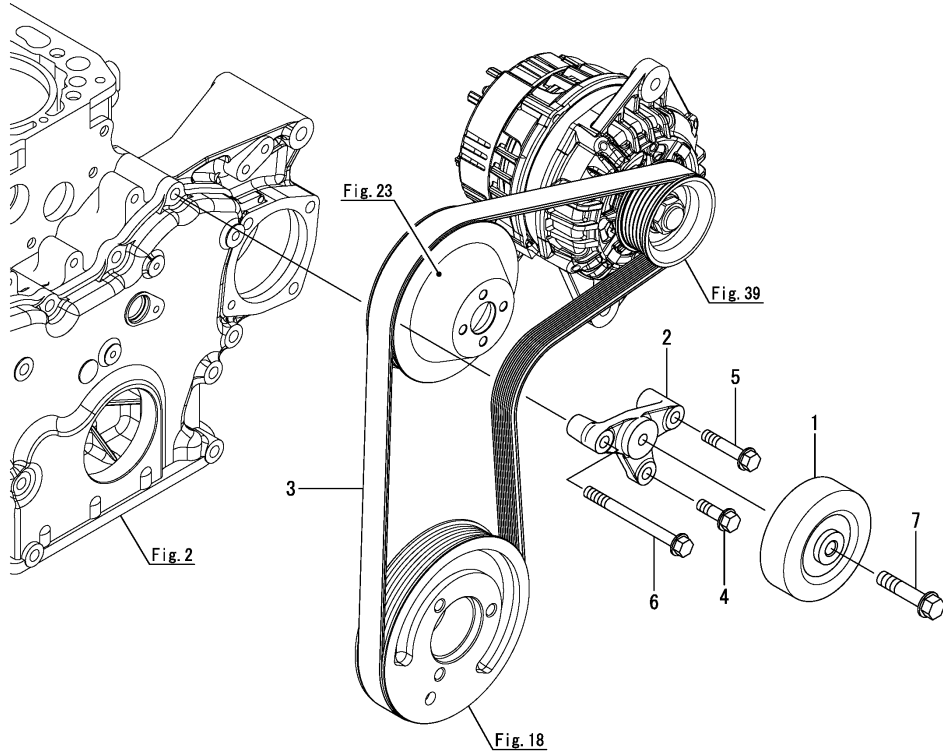


No.	Lev.	Parts No.	Description	Q'ty						I	R
				(A)	(B)	(C)	(D)	(E)	(F)		
1	1	129675-42000	PUMP ASSY, CW	1							
3	2	129054-42320	O-RING	1							
4	2	129466-49300	ELBOW, PT3/8	1							
5	2	129263-49350	JOINT, SENSOR	1							
6	2	129916-49740	PLUG, R3/8	2							
7	1	129486-42050	GASKET, WATER PUMP	1							
8	1	129927-44900	SENSOR, TEMPERATURE	1							
9	1	22190-120002	WASHER, SEAL 12	1							
10	1	26106-080552	BOLT, M8X 55 PLATED	4							
11	1	129470-49540	COVER, THERMOSTAT	1							
12	1	129795-49551	GASKET, COVER	1							
13	1	129470-49801	THERMOSTAT, 76.5C	1							
14	1	129150-49811	GASKET, THERMOSTAT	1							
15	1	26106-080252	BOLT, M8X 25 PLATED	1							
16	1	26106-080352	BOLT, M8X 35 PLATED	1							
17	1	129677-42310	SPACER, PULLEY	1							
18	1	129271-42351	PULLEY, PUMP 6PK	1							
19	1	26106-060202	BOLT, M6X 20 PLATED	4							

Fig.24. V-BELT

(A)=3JH40
(B)=
(C)=

(D)=
(E)=
(F)=

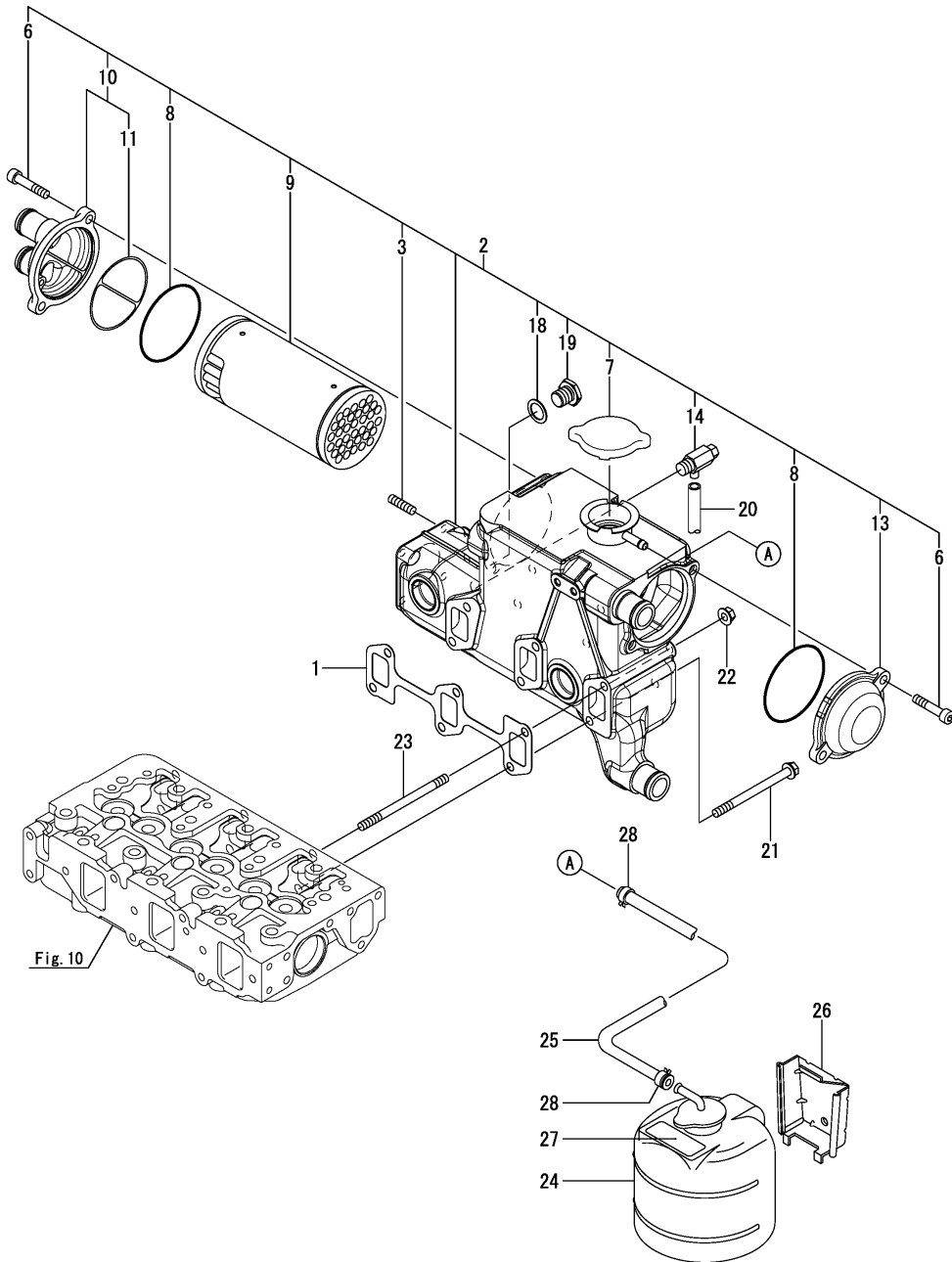


No.	Lev.	Parts No.	Description	Q'ty						I	R
				(A)	(B)	(C)	(D)	(E)	(F)		
1	1	129675-21800	PULLEY, IDLE	1							
2	1	129675-21810	SUPPORT, IDLE PULLEY	1							
3	1	129675-42280	BELT, V-RIBBED	1							
4	1	26106-080252	BOLT, M8X 25 PLATED	1							
5	1	26106-080402	BOLT, M8X 40 PLATED	1							
6	1	26106-080902	BOLT, M8X 90 PLATED	1							
7	1	26106-100452	BOLT, M10X 45 PLATED	1							

Fig.25. COOLER(FRESH WATER)

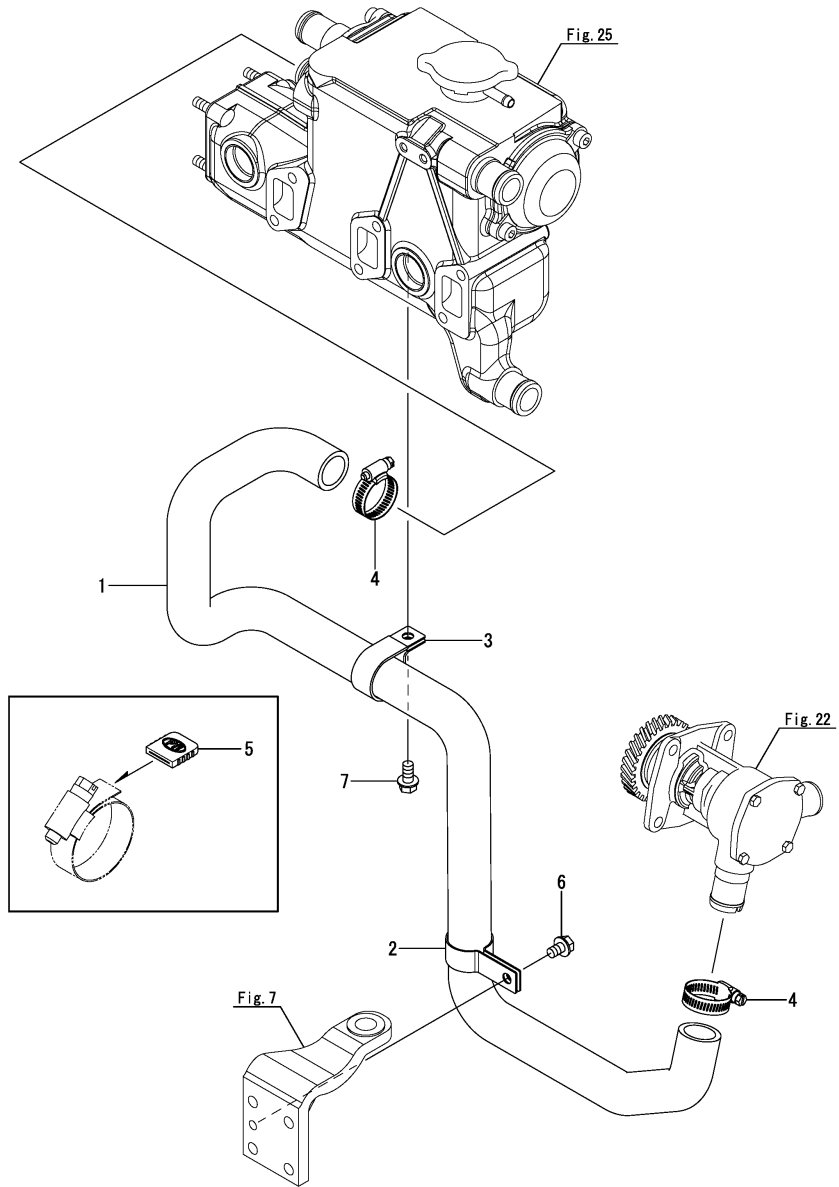
(A)=3JH40
(B)=
(C)=

(D)=
(E)=
(F)=



No.	Lev.	Parts No.	Description	Qty						I	R
				(A)	(B)	(C)	(D)	(E)	(F)		
1	1	129150-13110	GASKET, MANIFOLD	1							
2	1	129270-44910	COOLER ASSY, WATER	1							
3	2	129670-13600	STUD, M8X20	4							
6	2	129673-44090	BOLT, M8X40	4							
7	2	129673-44131	CAP, FILLER	1							
8	2	129670-44150	O-RING, 74.5X3	2							
9	2	129270-44410	CORE ASSY, COOLER	1							
10	2	129670-44430	COVER CMP,COOLER A	1							
11	3	120322-33050	PACKING, RUBBER	1							
13	2	129670-44450	COVER, COOLER B	1							
14	2	119620-49290	COCK ASSY, 1/4	1							
18	2	23414-170000	GASKET, 17X1.0	1							
19	2	23894-030002	PLUG, G3/8	1							
20	1	23061-070300	PIPE, 7X 300	1							
21	1	26106-081002	BOLT, M8X100 PLATED	4							
22	1	26366-080002	NUT, M8	2							
23	1	129693-44300	BOLT, COOLER	2							
24	1	128397-44500	TANK ASSY, SUB	1							
25	1	129270-44501	PIPE, OVERFLOW	1							
26	1	128397-44510	BRACKET, SUB TANK	1							
27	1	129670-44570	LABEL, SUB TANK	1							
28	1	23010-013000	CLAMP 13	2							

Fig.26. COOLING PIPE(SEA WATER)



(A)=3JH40
(B)=
(C)=

(D)=
(E)=
(F)=

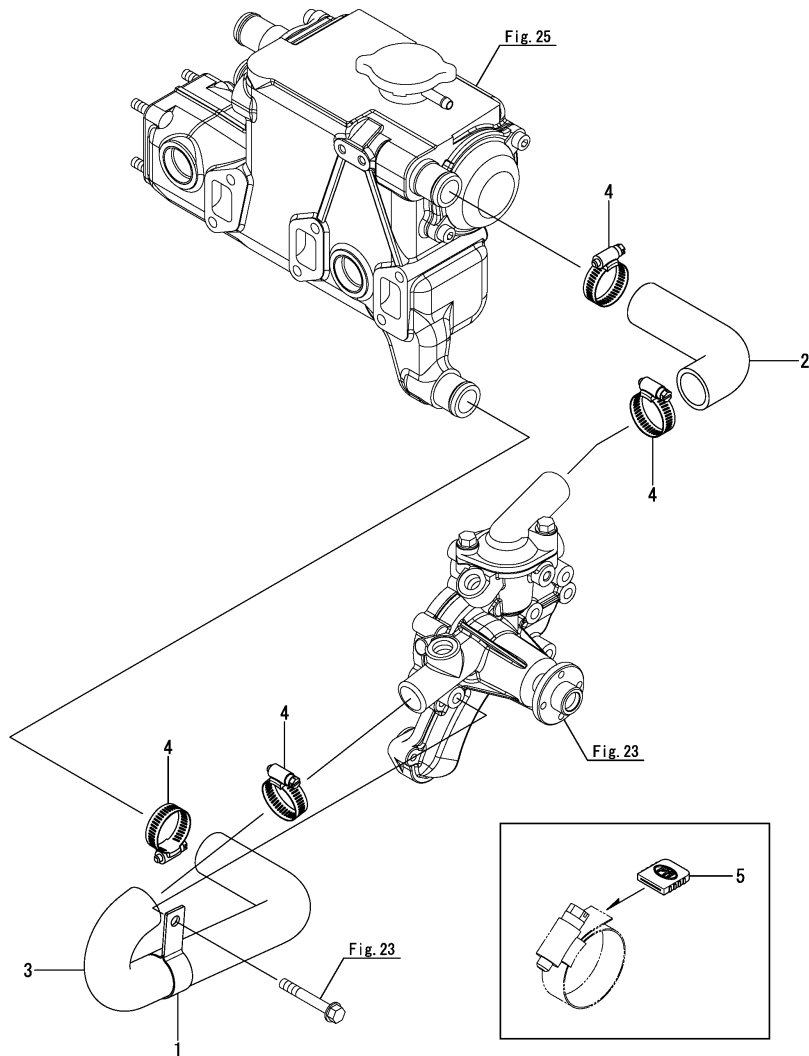
No.	Lev.	Parts No.	Description	Q'ty						I	R
				(A)	(B)	(C)	(D)	(E)	(F)		
1	1	129271-49040	PIPE, SEA WATER A	1							
2	1	129271-49110	RETAINER, PIPE	1							
3	1	129671-49120	RETAINER	1							
4	1	129670-49500	CLIP, HOSE 38	2							
5	1	129677-49950	PROTECTOR,HOSE CLAMP	2							1
6	1	26106-080122	BOLT, M8X 12 PLATED	1							
7	1	26106-080162	BOLT, M8X 16 PLATED	1							

Remarks
(1)Attached to the ends of No.4 hose clamps.

Fig.27. COOLING PIPE(FRESH WATER)

(A)=3JH40
(B)=
(C)=

(D)=
(E)=
(F)=



No.	Lev.	Parts No.	Description	Q'ty						I	R
				(A)	(B)	(C)	(D)	(E)	(F)		
1	1	129271-49110	RETAINER, PIPE	1							
2	1	129270-49210	PIPE, FRESH WATER C	1							
3	1	129271-49220	PIPE, SEA WATER B	1							
4	1	129670-49500	CLIP, HOSE 38	4							
5	1	129677-49950	PROTECTOR,HOSE CLAMP	4							1

Remarks

(1)Attached to the ends of No.4 hose clamps.

Fig.28. HOT WATER CONNECTION(OPTIONAL)

(A)=3JH40
(B)=
(C)=

(D)=
(E)=
(F)=

No.	Lev.	Parts No.	Description	Q'ty						I	R
				(A)	(B)	(C)	(D)	(E)	(F)		
1	1	129051-49310	ELBOW, PT3/8	1							
2	1	128990-49320	JOINT, 3/8	1							
3	1	129677-49320	ELBOW, 3/8-30	2							
4	1	129677-49390	COCK ASSY,R3/8XRP3/8	2							
5	1	128990-49400	CAP, WATER	2							

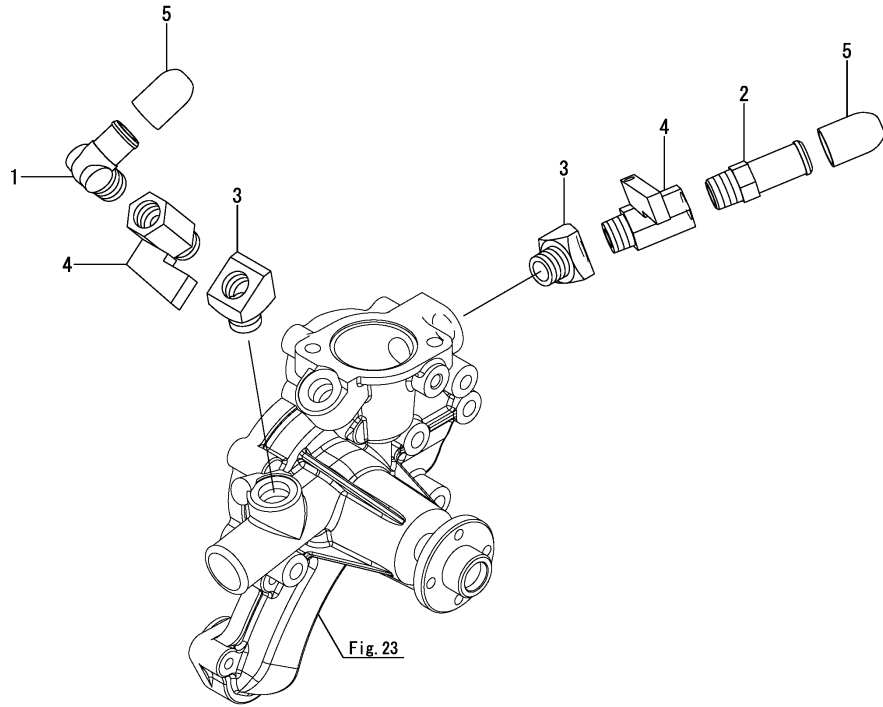


Fig.29. FUEL SUPPLY PUMP

(A)=3JH40
(B)=
(C)=

(D)=
(E)=
(F)=

No.	Lev.	Parts No.	Description	Q'ty						I	R
				(A)	(B)	(C)	(D)	(E)	(F)		
1	1	129A00-51000	PUMP ASSY, FUEL	1							
1-1	1	129C28-51000	PUMP ASSY, FUEL	1							N
(A=E10374)											
2	2	129A00-51100	VALVE ASSY	1							
3	3	129A00-51110	RING, SEAL	1							
4	3	129A00-51120	O-RING, MPROP	1							
5	2	129A00-51130	BOLT, MPROP	2							
6	2	129A00-51200	SENSOR, TEMPERATURE	1							
7	2	129A00-51900	O-RING, FUEL PUMP	1							
8	1	26106-080302	BOLT, M8X 30 PLATED	3							

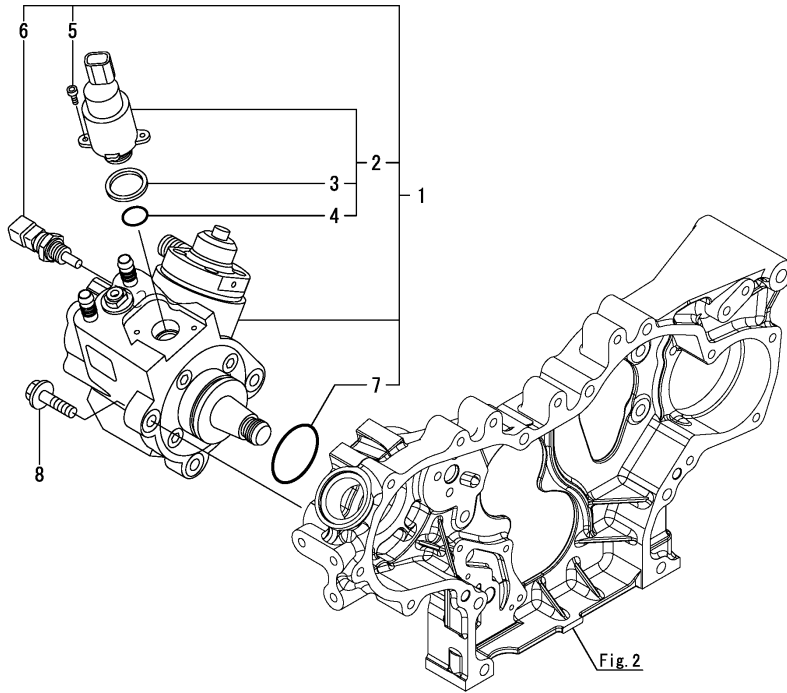


Fig.30. FUEL INJECTION VALVE

(A)=3JH40
(B)=
(C)=

(D)=
(E)=
(F)=

No.	Lev.	Parts No.	Description	Q'ty						I	R
				(A)	(B)	(C)	(D)	(E)	(F)		
1	1	129675-53100	INJECTOR, CR	3							
2	2	129A00-53200	RING, RETAINING	3							

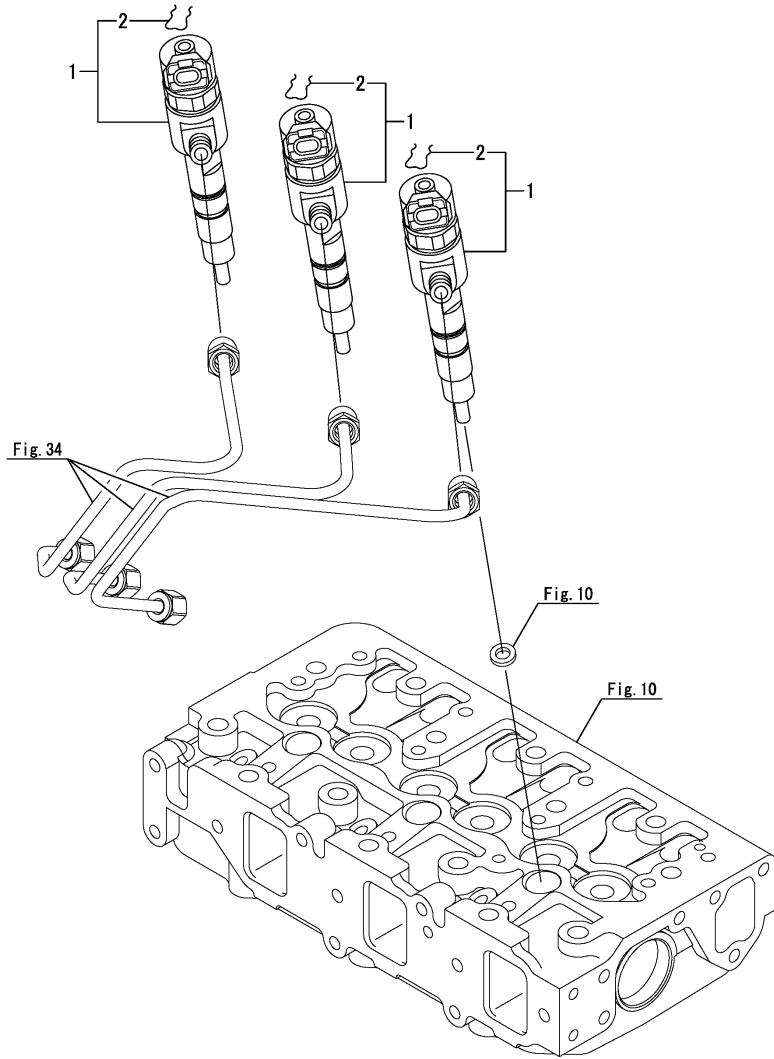


Fig.31. FUEL FILTER

(A)=3JH40
(B)=
(C)=

(D)=
(E)=
(F)=

No.	Lev.	Parts No.	Description	Q'ty						I	R
				(A)	(B)	(C)	(D)	(E)	(F)		
2	1	119187-39700	VALVE ASSY, CHECK	1							
3	2	127610-39350	RETAINER, SPRING	1							
4	2	127687-39360	SPRING, NOZZLE	1							
6	2	23414-100014	GASKET, 10X1.0	1							
7	2	24190-070001	BALL, STEEL 7/32	1							
8	1	129677-55600	FILTER ASSY, FUEL	1							
9	2	129677-55610	BRACKET ASSY,FO FILT	1							
10	2	129A00-55800	FILTER, FUEL	1							
11	1	129677-59240	HOSE, FUEL RETURN	2							
12	1	129677-59300	HOUSING ASSY, VALVE	1							
15	1	129677-59350	JOINT, HOSE 10-M12	1							
16	1	22190-120002	WASHER, SEAL 12	2							
17	1	23000-013000	CLAMP, 13	4							
18	1	23414-100000	GASKET, 10X1.0	1							
19	1	23887-120002	PLUG, 12	1							
20	1	129670-55700	RUBBER	1							
21	1	129677-59220	HOSE, FUEL RETURN	1							
22	1	23000-016000	CLAMP, 16	2							
23	1	26216-080602	STUD, M8X 60	2							
24	1	26366-080002	NUT, M8	2							
25	1	26756-080002	NUT, LOCK M8	2							

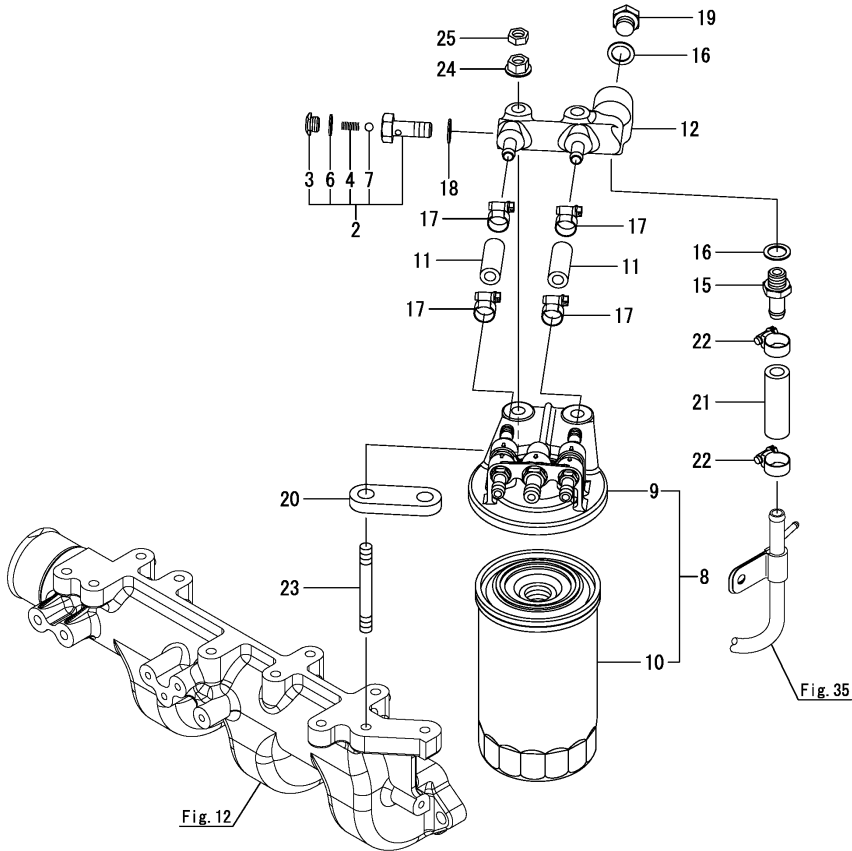
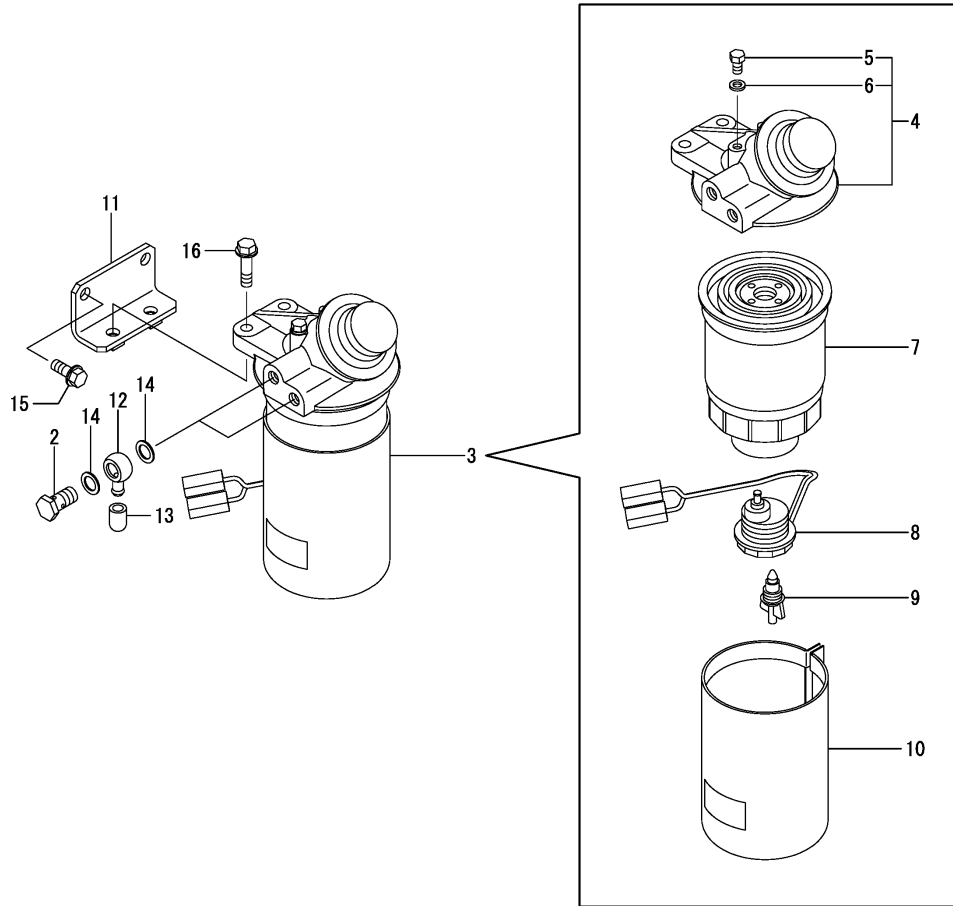


Fig.32. FUEL PRE-FILTER(HULL SIDE)

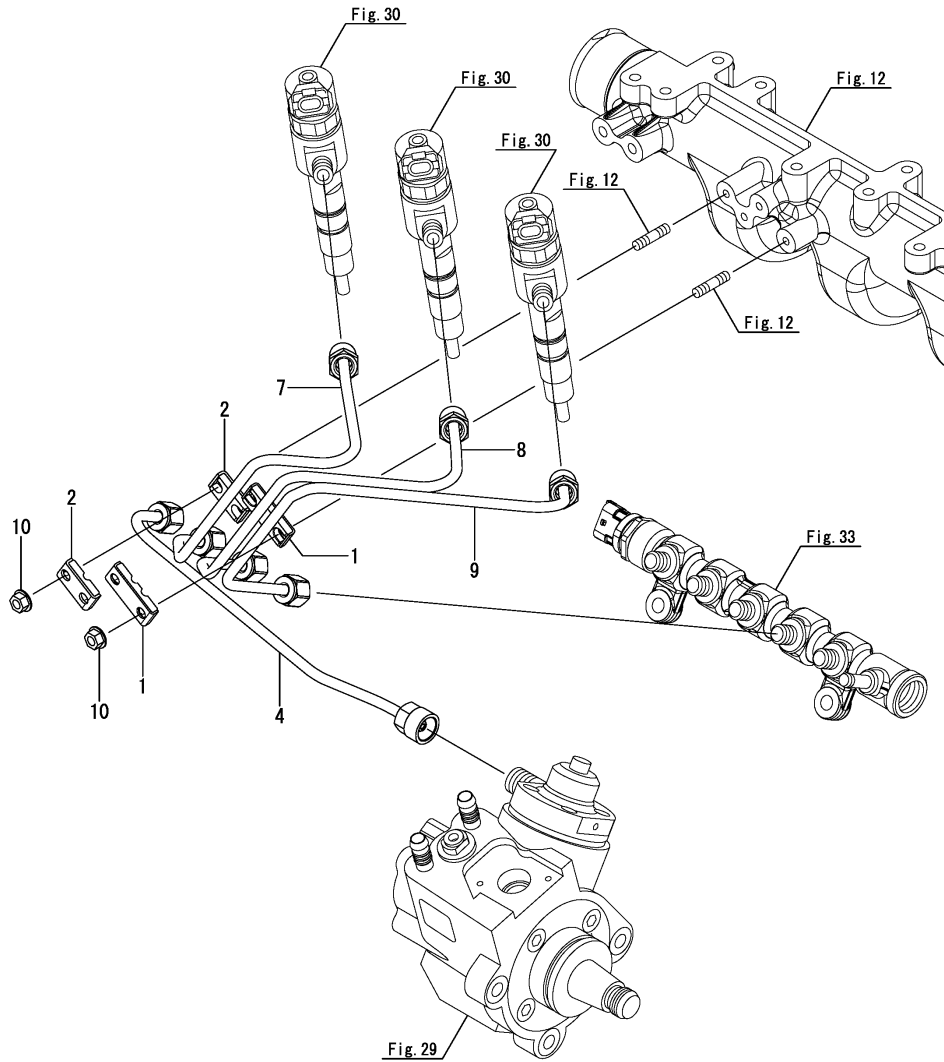
(A)=3JH40
(B)=
(C)=

(D)=
(E)=
(F)=



No.	Lev.	Parts No.	Description	Q'ty						I	R
				(A)	(B)	(C)	(D)	(E)	(F)		
2	1	194256-04820	BOLT, JOINT M6	2							
3	1	119172-55801	F.O. FILTER ASSY	1							
4	2	121857-55630	BODY ASSY, STRAINER	1							
5	3	121857-55750	PLUG	1							
6	3	121857-55760	WASHER	1							
7	2	121857-55710	FILTER, FUEL	1							
8	2	121857-55730	SENSOR ASSY	1							
9	2	121857-55740	PLUG	1							
10	2	119172-55811	CASE KIT, FO FILETR	1							
11	1	129677-55850	BRACKET, FILTER	1							
12	1	101304-59020	JOINT, PIPE 12	2							
13	1	128990-59900	CAP, FUEL IN/OUT	2							
14	1	22190-120002	WASHER, SEAL 12	4							
15	1	26106-080202	BOLT, M8X 20 PLATED	2							
16	1	26106-080302	BOLT, M8X 30 PLATED	2							

Fig.34. FUEL INJECTION PIPE



(A)=3JH40
(B)=
(C)=

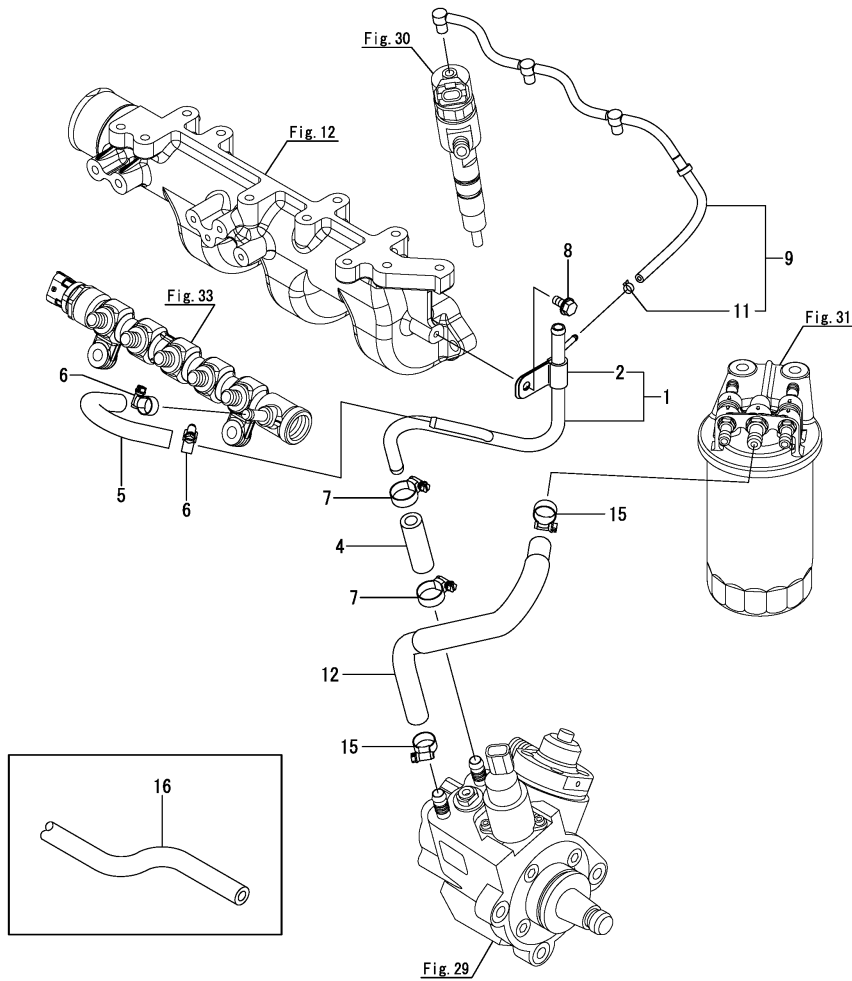
(D)=
(E)=
(F)=

No.	Lev.	Parts No.	Description	Q'ty						I	R
				(A)	(B)	(C)	(D)	(E)	(F)		
1	1	122780-59100	RETAINER, PIPE	2							
2	1	129688-59130	CLAMP, PIPE	2							
4	1	129272-59700	PIPE ASSY, RAIL IN	1							
7	1	129677-59820	PIPE, INJECTION NO.2	1							
8	1	129677-59830	PIPE, INJECTION NO.3	1							
9	1	129677-59840	PIPE, INJECTION NO.4	1							
10	1	26366-060002	NUT, M6	4							

Fig.35. FUEL PIPE

(A)=3JH40
(B)=
(C)=

(D)=
(E)=
(F)=



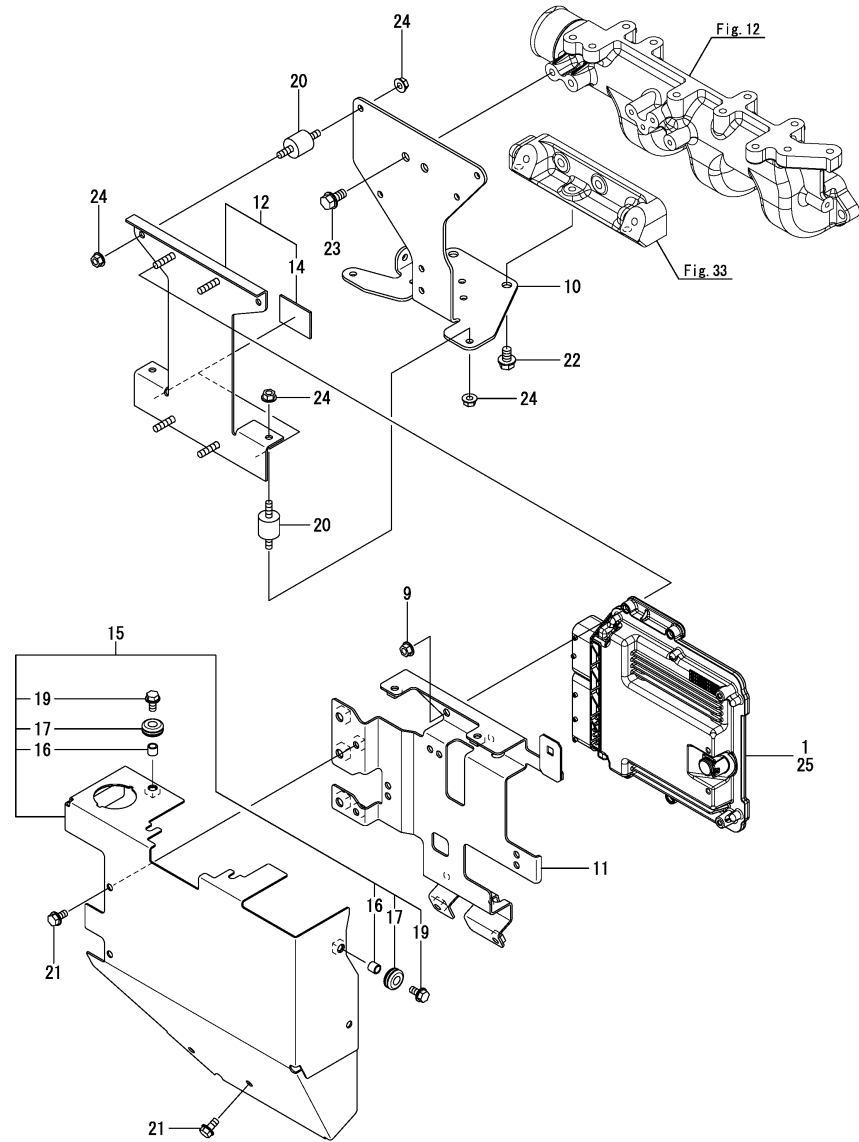
No.	Lev.	Parts No.	Description	Q'ty						I	R
				(A)	(B)	(C)	(D)	(E)	(F)		
1	1	129677-59090	PIPE ASSY, RETURN	1							
2	2	119802-49730	RETAINER, PIPE	1							
4	1	129677-59220	HOSE, FUEL RETURN	1							
5	1	129677-59230	HOSE, FUEL RETURN	1							
6	1	23000-013000	CLAMP, 13	2							
7	1	23000-019000	CLAMP, 19	2							
8	1	26106-060122	BOLT, M6X 12 PLATED	1							
9	1	129A23-59500	PIPE ASSY, RETURN	1							
11	2	23080-007000	CLAMP, 7	1							
12	1	129677-59011	HOSE ASSY, FUEL	1							
15	1	23000-016000	CLAMP, 16	2							
16	1	129677-59400	HOSE, FUEL L=6000	1							1

Remarks
(1)For hull side piping(Optional parts.)

Fig.36. ELECTRONIC CONTROL UNIT(ECU) & BRACKET

(A)=3JH40
(B)=
(C)=

(D)=
(E)=
(F)=



No.	Lev.	Parts No.	Description	Q'ty						I	R
				(A)	(B)	(C)	(D)	(E)	(F)		
1	1	129272-75010	ECU ASSY,3JH40	1							1
9	1	26366-060002	NUT, M6	4							
10	1	129272-77750	BRACKET, ECU BASE	1							
11	1	129677-77770	PLATE, ECU	1							
12	1	129272-77780	BRACKET ASSY, ECU HO	1							
14	2	129272-77770	RUBBER, CUSHION	2							
15	1	129677-77790	COVER ASSY, ECU	1							
16	2	128990-77441	COLLAR, M6	2							
17	2	128990-77600	GROMMET, M6	2							
19	2	26106-060122	BOLT, M6X 12 PLATED	2							
20	1	129272-77800	RUBBER, ABSORBER ECU	4							
21	1	26106-060122	BOLT, M6X 12 PLATED	4							
22	1	26106-080122	BOLT, M8X 12 PLATED	2							
23	1	26106-080162	BOLT, M8X 16 PLATED	2							
24	1	26366-060002	NUT, M6	8							
25	1	129A00-75940	ECU ASSY,SERVICE YMR	1							2

Remarks

(1)Follow the FIE procedure.

(2)Service ECU

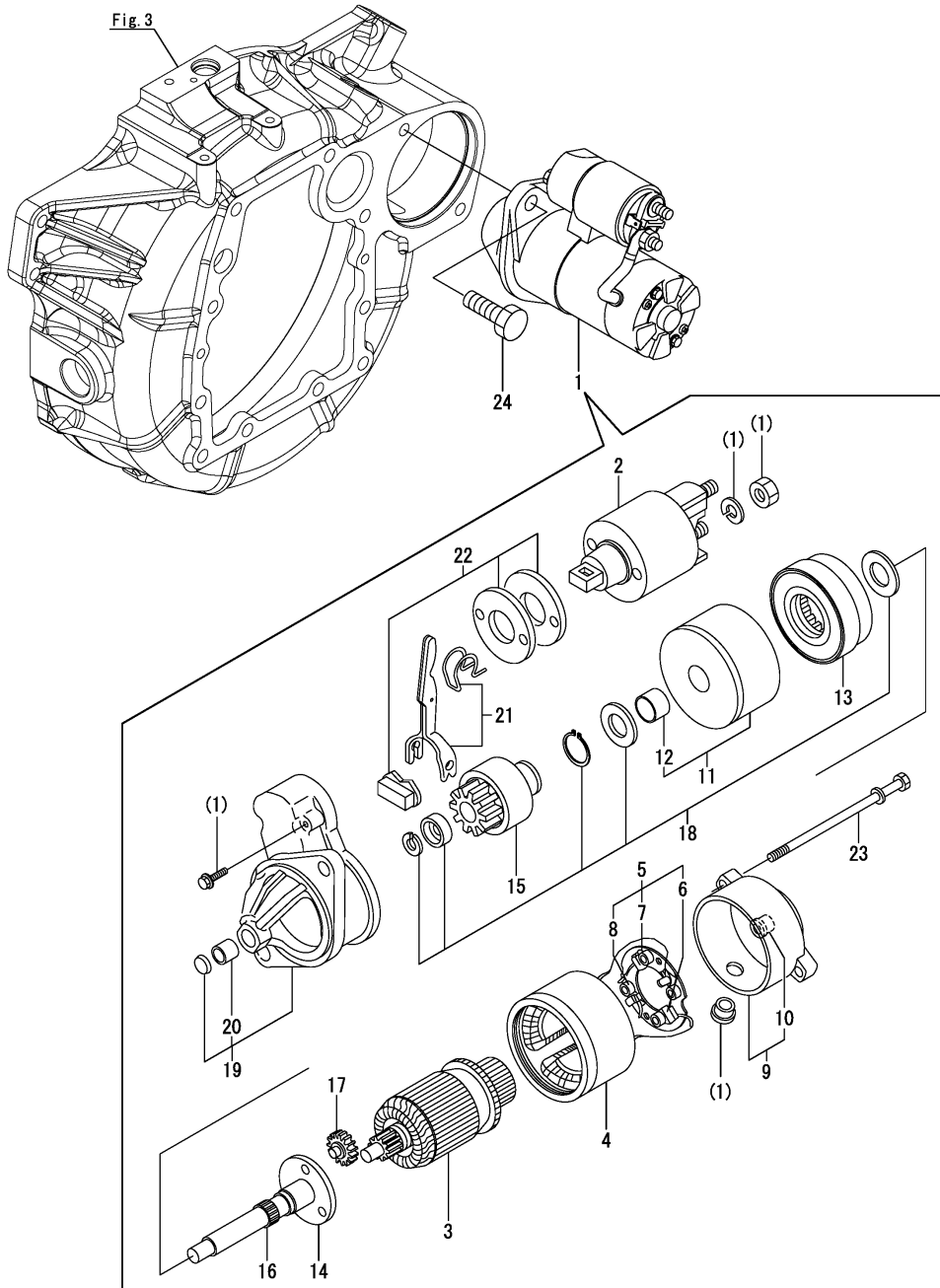
If the proper information is not installed, the engine will not operate.

To install proper information, go to an authorized distributor.

Fig.37. STARTER MOTOR

(A)=3JH40
(B)=
(C)=

(D)=
(E)=
(F)=

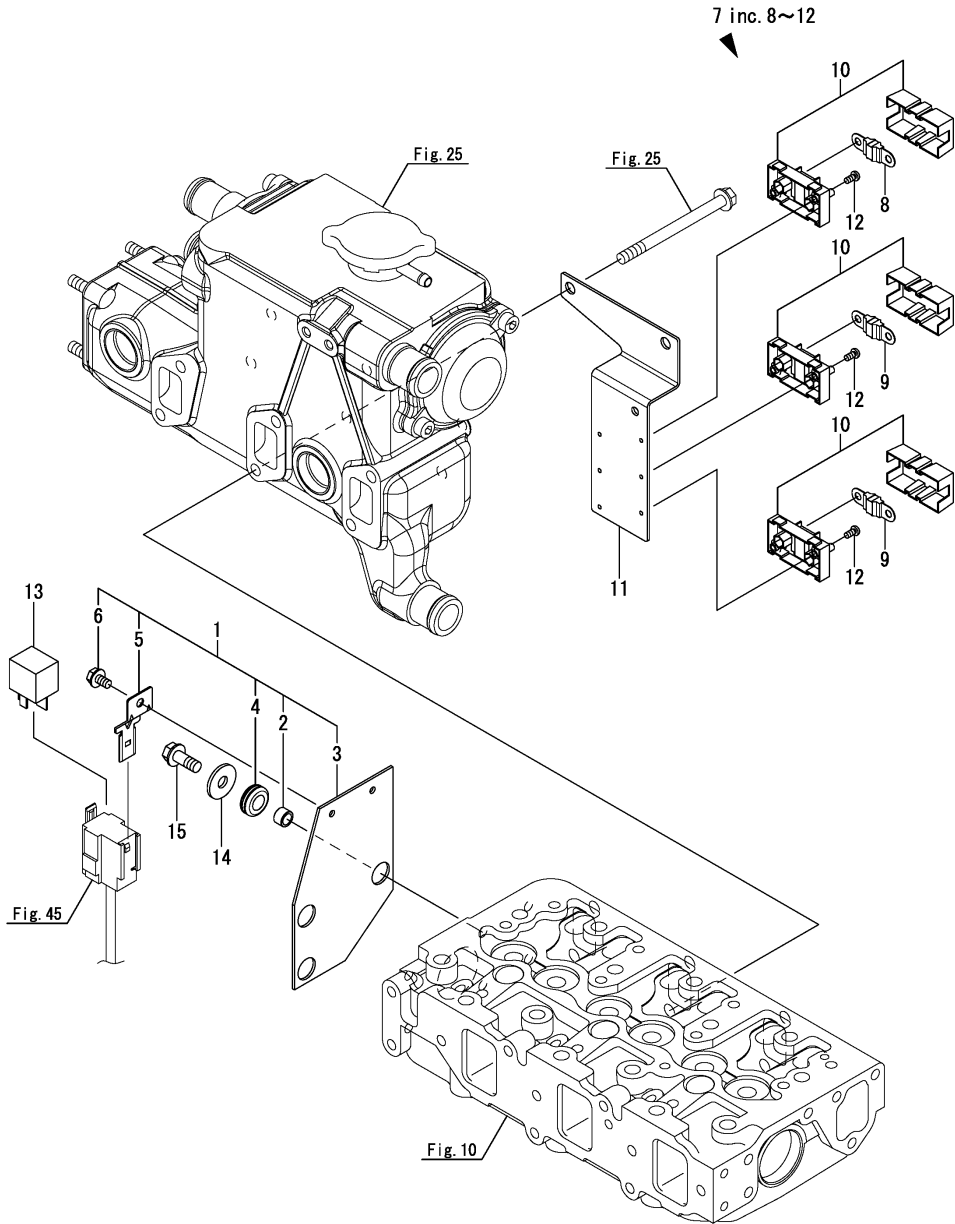


No.	Lev.	Parts No.	Description	Q'ty						I	R
				(A)	(B)	(C)	(D)	(E)	(F)		
1	1	129608-77010	STARTER ASSY	1							
2	2	129698-77020	SWITCH ASSY, MAGNET	1							
3	2	129698-77101	ARMATURE ASSY	1							
4	2	129608-77110	YOKE ASSY	1							
5	2	129698-77120	HOLDER ASSY, BRUSH	1							
6	3	129698-77130	BRUSH	2							
7	3	129698-77140	BRUSH SET	1							
8	3	129698-77150	SPRING, BRUSH	4							
9	2	129698-77161	COVER ASSY, STARTER	1							
10	3	129698-77170	BEARING, REAR COVER	1							
11	2	129698-77180	BRACKET, CENTER P	1							
12	3	129698-77190	BRACKET, CENTER	1							
13	2	129698-77200	GEAR, INTERNAL	1							
14	2	129698-77210	BRACKET, CENTER A	1							
15	2	129698-77220	PINION ASSY	1							
16	2	129698-77230	SHAFT, PINION	1							
17	2	129698-77240	GEAR, PLANETARY	3							
18	2	129698-77250	WASHER SET	1							
19	2	129698-77260	CASE ASSY, GEAR	1							
20	3	X2114535200	METAL, STARTER	1							
21	2	129698-77270	LEVER SET, SHIFT	1							
22	2	129698-77280	COVER KIT, DUST	1							
23	2	124195-77770	BOLT, THROUGH	2							
24	1	26116-120302	BOLT, M12X 30 PLATED	2							

Fig.38. RELAY

(A)=3JH40
(B)=
(C)=

(D)=
(E)=
(F)=

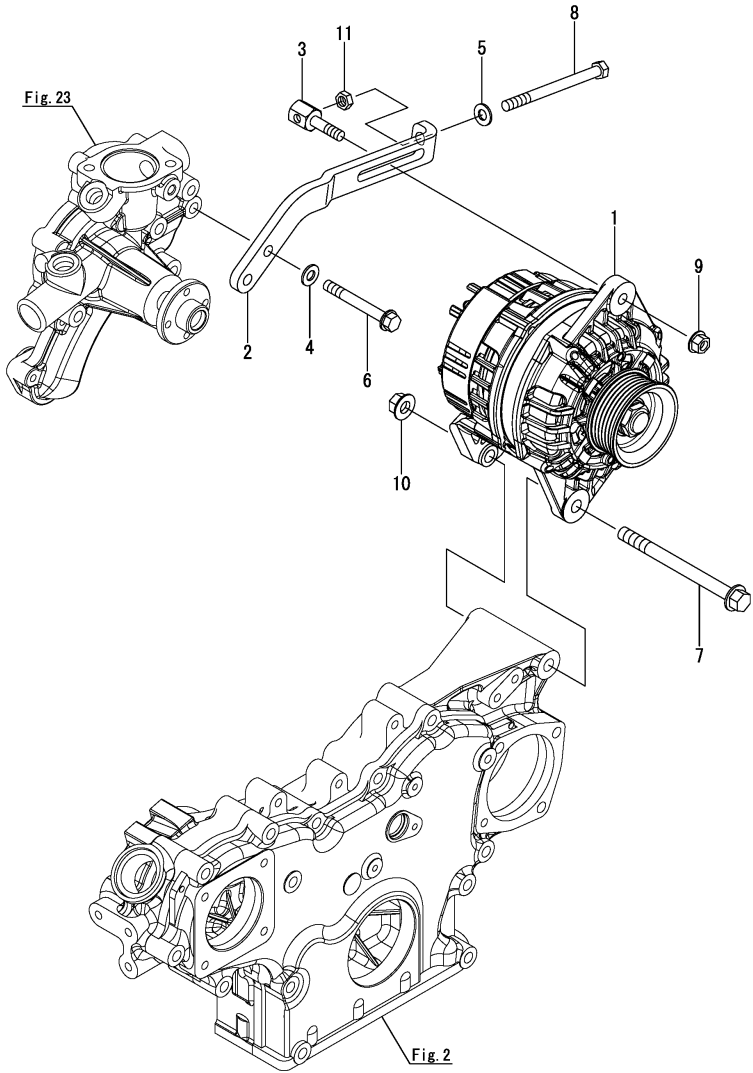


No.	Lev.	Parts No.	Description	Q'ty						I	R
				(A)	(B)	(C)	(D)	(E)	(F)		
1	1	129272-00300	BRACKET ASSY,SUB REL	1							
2	2	128990-77430	COLLAR, BRACKET	3							
3	2	129272-77560	BRACKET,RELAY	1							
4	2	128990-77610	GROMMET, M8	3							
5	2	129927-77910	BRACKET, CONNECTOR	2							
6	2	26106-060102	BOLT, M6X 10 PLATED	2							
7	1	129272-00400	FUSE ASSY,SUB	1							
8	2	127677-77060	FUSE, 32V-200A	1							
9	2	119578-77080	FUSE, 32V-50A	2							
10	2	119578-77200	HOLDER, FUSE	3							
11	2	129272-77580	BRACKET,FUSE	1							
12	2	26557-040082	SCREW, M4X 8	6							
13	1	129927-77920	RELAY, ISO 70A	2							
14	1	22157-080000	WASHER, 8	3							
15	1	26106-080202	BOLT, M8X 20 PLATED	3							

Fig.39. ALTERNATOR(EARTH TYPE)

(A)=3JH40
(B)=
(C)=

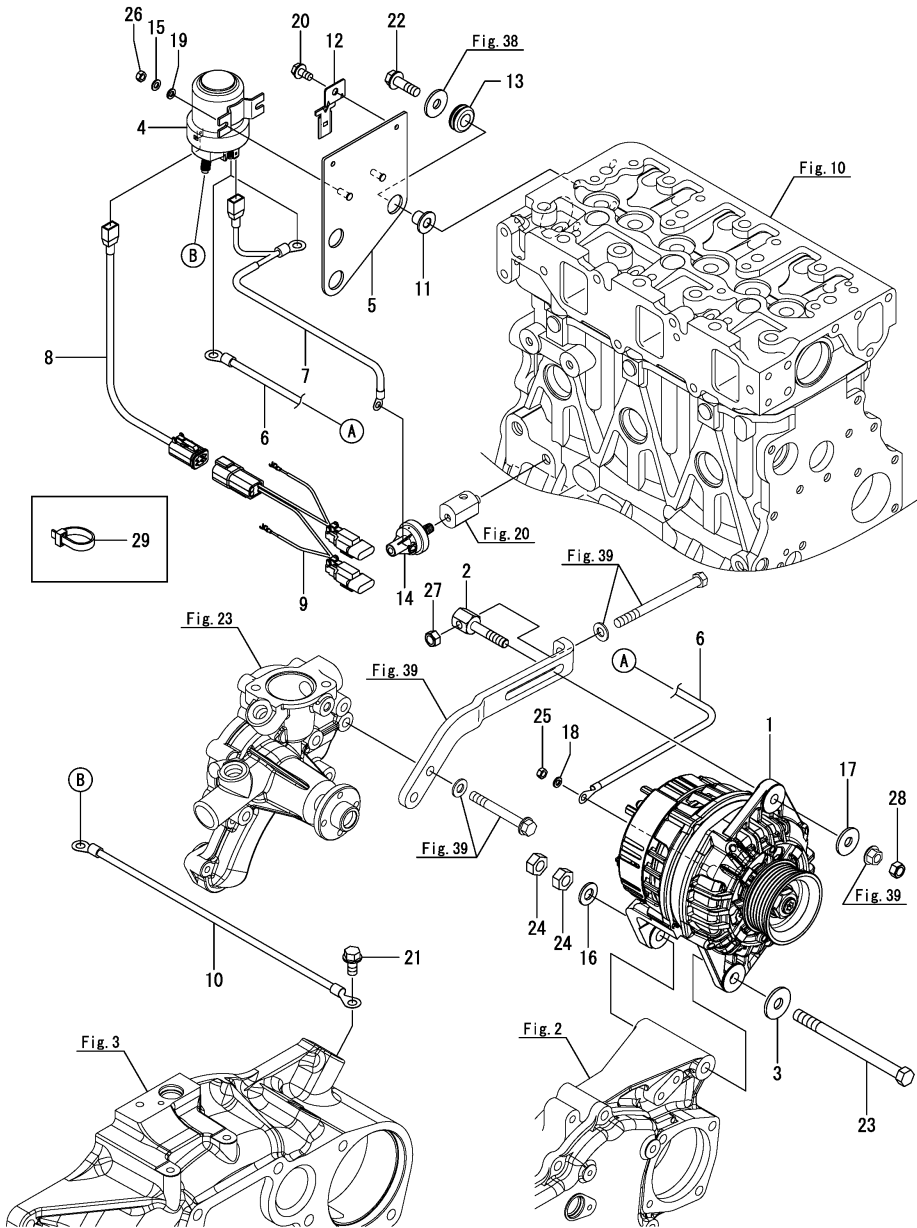
(D)=
(E)=
(F)=



No.	Lev.	Parts No.	Description	Q'ty						I	R
				(A)	(B)	(C)	(D)	(E)	(F)		
1	1	128990-77250	ALTERNATOR, 12V-125A	1							1
2	1	129677-77440	ADJUSTER, BELT	1							
3	1	129271-77641	BOLT, ADJUSTER	1							
4	1	22137-080000	WASHER, 8	1							
5	1	22137-080000	WASHER, 8	1							
6	1	26106-080652	BOLT, M8X 65 PLATED	1							
7	1	26106-101202	BOLT, M10X120 PLATED	1							
8	1	26116-081004	BOLT, M8X100 PLATED	1							
9	1	26366-080002	NUT, M8	1							
10	1	26366-100002	NUT, M10	1							
11	1	26756-080002	NUT, LOCK M8	1							

Remarks
(1) Inner parts are shown in Fig.43.

Fig.40. ALTERNATOR(EARTH FLOAT TYPE REMODEL KIT)(OPTIONAL)



(A)=3JH40

(B)=

(C)=

(D)=

(E)=

(F)=

No.	Lev.	Parts No.	Description	Qty						I	R
				(A)	(B)	(C)	(D)	(E)	(F)		
1	1	129677-77300	ALTERNATOR,12V-ISOLA	1							1
2	1	129677-77350	BOLT,ADJUSTER	1							
3	1	129677-77360	WASHER,30/10.5	1							
4	1	129677-77370	RELAY, MINUS	1							
5	1	129272-77380	BRACKET, RELAY	1							
6	1	129677-77390	CABLE,MINUS ALT-RELA	1							
7	1	129677-77400	HARNES,MINUS LO SW	1							
8	1	129677-77410	HARNES,START PULSE1	1							
9	1	129677-77420	HARNES,START PULSE2	1							
10	1	129677-77430	CABLE,RELAY-FWH	1							
11	1	119578-77680	COLLAR, CONTROLLER	3							
12	1	129927-77910	BRACKET, CONNECTOR	2							
13	1	119578-91351	RUBBER, CONTROLLER	3							
14	1	126630-91601	SWITCH, HYDRAULIC	1							
15	1	22137-050000	WASHER, 5	2							
16	1	22137-100000	WASHER, 10	1							
17	1	22157-080000	WASHER, 8	1							
18	1	22217-050000	WASHER, SPRING 5	1							
19	1	22217-050000	WASHER, SPRING 5	2							
20	1	26106-060122	BOLT, M6X 12 PLATED	2							
21	1	26106-080162	BOLT, M8X 16 PLATED	1							
22	1	26106-080252	BOLT, M8X 25 PLATED	3							
23	1	26116-101302	BOLT, M10X130 PLATED	1							
24	1	26706-100002	NUT, M10	2							
25	1	26716-050002	NUT, M5	1							
26	1	26716-050002	NUT, M5	2							
27	1	26716-080002	NUT, M8	1							
28	1	26716-080002	NUT, M8	1							
29	1	29621-200001	BAND, TR200	4							

Remarks

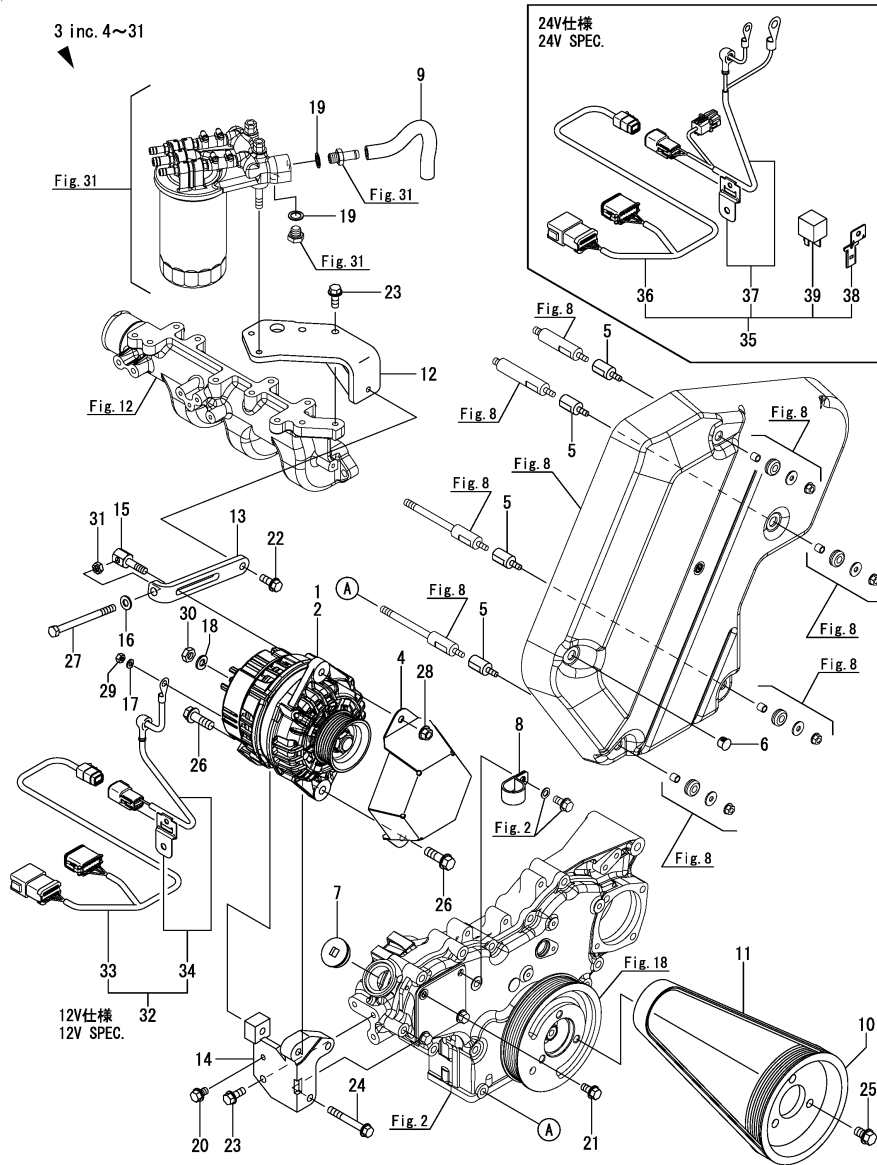
(1)Inner parts are shown in Fig.44.

N:Old $\begin{matrix} \leftarrow \text{Yes} \\ \text{No} \end{matrix}$ New, Q:Old $\begin{matrix} \leftarrow \text{No} \\ \text{Yes} \end{matrix}$ New, R:Old $\begin{matrix} \leftarrow \text{Yes} \\ \text{Yes} \end{matrix}$ New, S:Old $\begin{matrix} \leftarrow \text{No} \\ \text{No} \end{matrix}$ New, W:Add, Z:Discontinued, F:Interchangeable by set, K:Qty Change

Fig.41. ALTERNATOR KIT(2ND)(OPTIONAL)

(A)=3JH40
(B)=
(C)=

(D)=
(E)=
(F)=

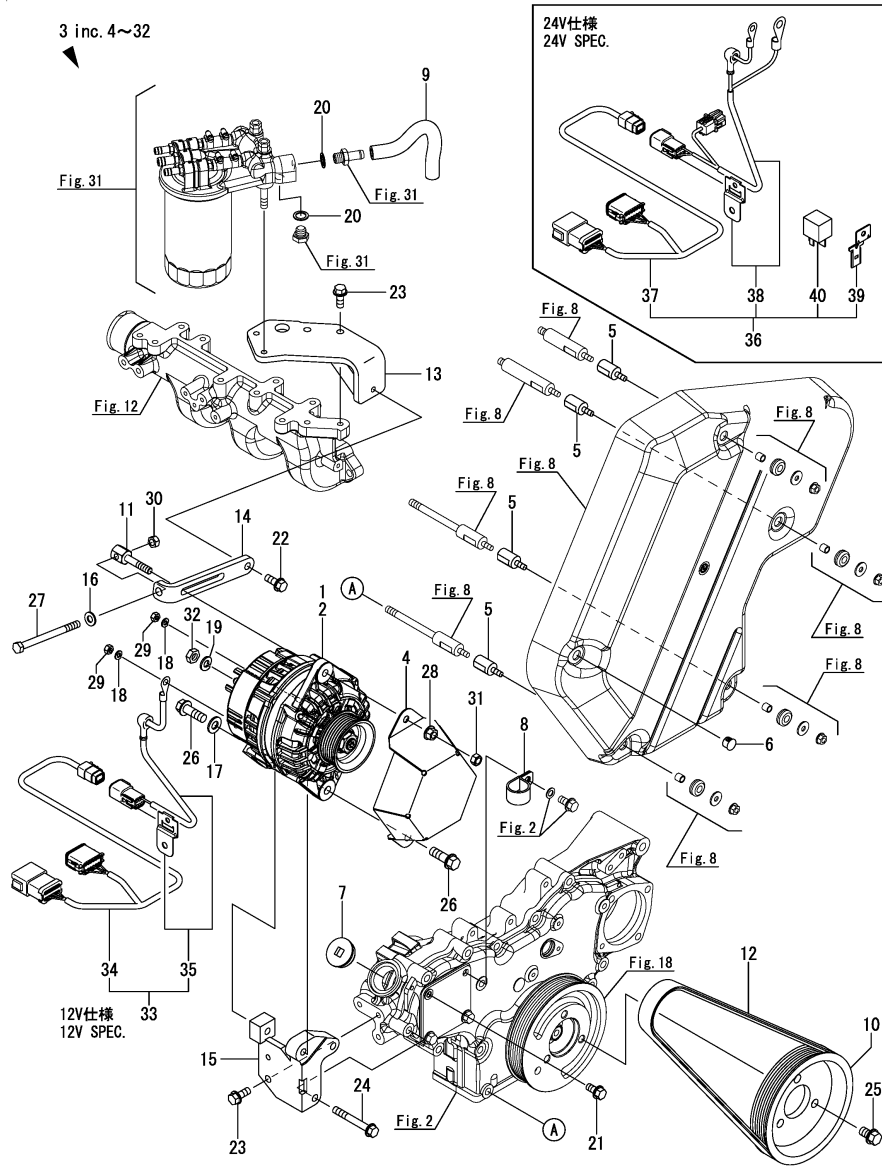


No.	Lev.	Parts No.	Description	Q'ty						I	R
				(A)	(B)	(C)	(D)	(E)	(F)		
1	1	128990-77250	ALTERNATOR, 12V-125A	1							1
2	1	129677-77250	ALTERNATOR, 24V-60A	1							2
3	1	129677-77600	ALTERNATOR KIT, JHCR	1							
4	2	129677-09130	COVER, BELT	1							
5	2	129677-09510	BOLT, SPACER L=25	4							
6	2	129677-09600	PLUG, D12.7 HOLE	1							
7	2	119807-11770	PLUG, FILLER	1							
8	2	121575-49310	RETAINER, PIPE	1							
9	2	129677-59270	HOSE, FUEL RETURN	1							
10	2	129271-77251	PULLEY, CRANK 6PK	1							
11	2	128790-77580	BELT, ALTERNATOR 6PK	1							
12	2	129677-77610	BRACKET, FILTER	1							
13	2	129677-77620	ADJUSTER, BELT	1							
14	2	129677-77630	BRACKET, 2ND	1							
15	2	129271-77641	BOLT, ADJUSTER	1							
16	2	22137-080000	WASHER, 8	1							
17	2	22217-050000	WASHER, SPRING 5	1							
18	2	22217-080000	WASHER, SPRING 8	1							
19	2	23414-120000	GASKET, 12X1.0	2							
20	2	26106-080122	BOLT, M8X 12 PLATED	1							
21	2	26106-080162	BOLT, M8X 16 PLATED	1							
22	2	26106-080202	BOLT, M8X 20 PLATED	1							
23	2	26106-080202	BOLT, M8X 20 PLATED	3							
24	2	26106-080602	BOLT, M8X 60 PLATED	2							
25	2	26106-100202	BOLT, M10X 20 PLATED	3							
26	2	26106-100302	BOLT, M10X 30 PLATED	2							
27	2	26116-081004	BOLT, M8X100 PLATED	1							
28	2	26366-080002	NUT, M8	1							
29	2	26716-050002	NUT, M5	1							
30	2	26756-080002	NUT, LOCK M8	1							
31	2	26756-080002	NUT, LOCK M8	1							
32	1	129677-77650	HARNESS KIT,EXCITE12	1							3
33	2	164000-21350	HARNESS, WIRE	1							3
34	2	129677-77670	HARNESS, 2ND ALT 12V	1							3
35	1	129677-77660	HARNESS KIT,EXCITE24	1							4
36	2	164000-21350	HARNESS, WIRE	1							4
37	2	129677-77680	HARNESS, 2ND ALT 24V	1							4
38	2	129927-77910	BRACKET, CONNECTOR	1							4
39	2	129927-77920	RELAY, ISO 70A	1							4

Remarks

- (1)12V specification(Inner parts are shown in Fig.43).
- (2)24V specification(Inner parts are shown in Fig.43).
- (3)12V specification.
- (4)24V specification.

Fig.42. ALTERNATOR KIT(2ND)(ISOLATED TYPE)(OPTIONAL)



(A)=3JH40

(B)=

(C)=

(D)=

(E)=

(F)=

No.	Lev.	Parts No.	Description	Q'ty						I	R
				(A)	(B)	(C)	(D)	(E)	(F)		
1	1	129677-77300	ALTERNATOR,12V-ISOLA	1							1
2	1	129677-77450	ALTERNATOR,24V-ISOLA	1							2
3	1	129677-77640	ALTERNATOR KIT,ISOLA	1							
4	2	129677-09130	COVER, BELT	1							
5	2	129677-09510	BOLT, SPACER L=25	4							
6	2	129677-09600	PLUG, D12.7 HOLE	1							
7	2	119807-11770	PLUG, FILLER	1							
8	2	121575-49310	RETAINER, PIPE	1							
9	2	129677-59270	HOSE, FUEL RETURN	1							
10	2	129271-77251	PULLEY, CRANK 6PK	1							
11	2	129677-77350	BOLT,ADJUSTER	1							
12	2	128790-77580	BELT, ALTERNATOR 6PK	1							
13	2	129677-77610	BRACKET, FILTER	1							
14	2	129677-77620	ADJUSTER, BELT	1							
15	2	129677-77630	BRACKET, 2ND	1							
16	2	22137-080000	WASHER, 8	1							
17	2	22137-100000	WASHER, 10	1							
18	2	22217-050000	WASHER, SPRING 5	2							
19	2	22217-080000	WASHER, SPRING 8	1							
20	2	23414-120000	GASKET, 12X1.0	2							
21	2	26106-080162	BOLT, M8X 16 PLATED	1							
22	2	26106-080202	BOLT, M8X 20 PLATED	1							
23	2	26106-080202	BOLT, M8X 20 PLATED	3							
24	2	26106-080602	BOLT, M8X 60 PLATED	2							
25	2	26106-100202	BOLT, M10X 20 PLATED	3							
26	2	26106-100302	BOLT, M10X 30 PLATED	2							
27	2	26116-081004	BOLT, M8X100 PLATED	1							
28	2	26366-080002	NUT, M8	1							
29	2	26716-050002	NUT, M5	2							
30	2	26716-080002	NUT, M8	1							
31	2	26716-080002	NUT, M8	1							
32	2	26756-080002	NUT, LOCK M8	1							
33	1	129677-77650	HARNESS KIT,EXCITE12	1							3
34	2	164000-21350	HARNESS, WIRE	1							3
35	2	129677-77670	HARNESS, 2ND ALT 12V	1							3
36	1	129677-77660	HARNESS KIT,EXCITE24	1							4
37	2	164000-21350	HARNESS, WIRE	1							4
38	2	129677-77680	HARNESS, 2ND ALT 24V	1							4
39	2	129927-77910	BRACKET, CONNECTOR	1							4
40	2	129927-77920	RELAY, ISO 70A	1							4

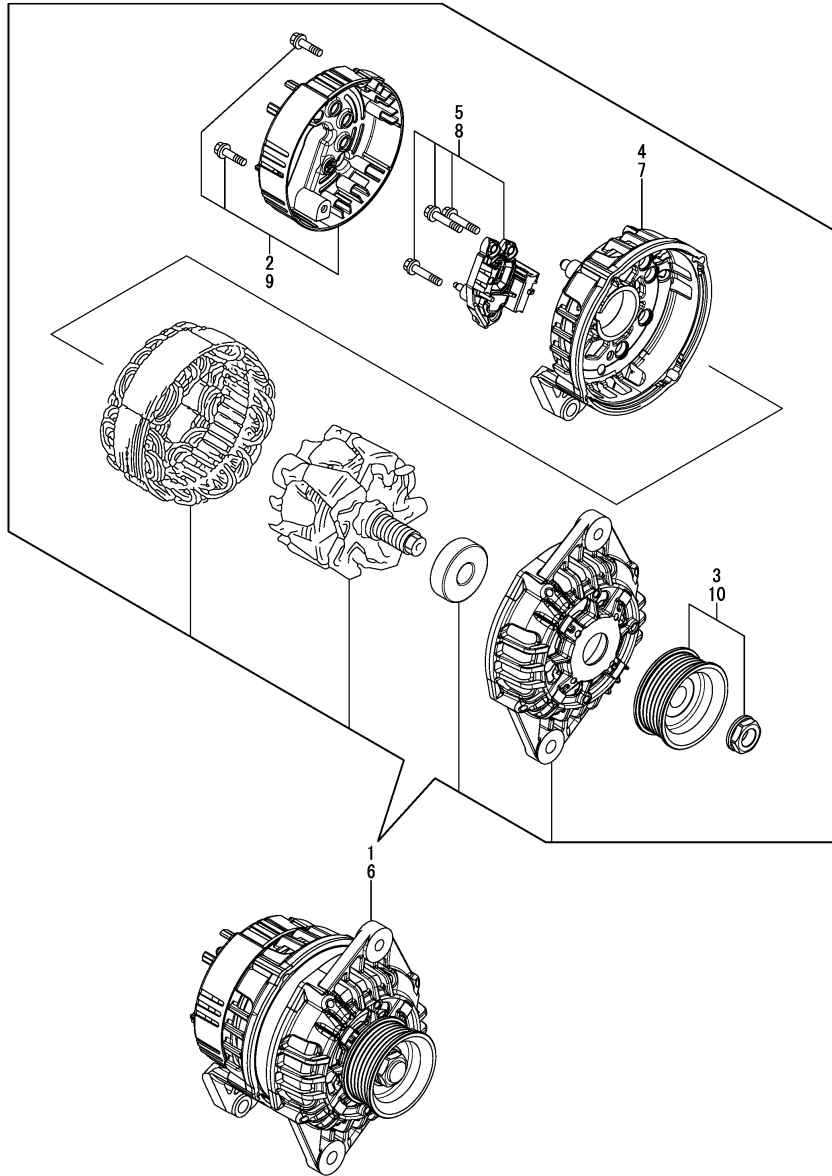
Remarks

- (1)12V specification(Inner parts are shown in Fig.44).
- (2)24V specification(Inner parts are shown in Fig.44).
- (3)12V specification.
- (4)24V specification.

Fig.43. ALTERNATOR(INNER PARTS)

(A)=3JH40
(B)=
(C)=

(D)=
(E)=
(F)=

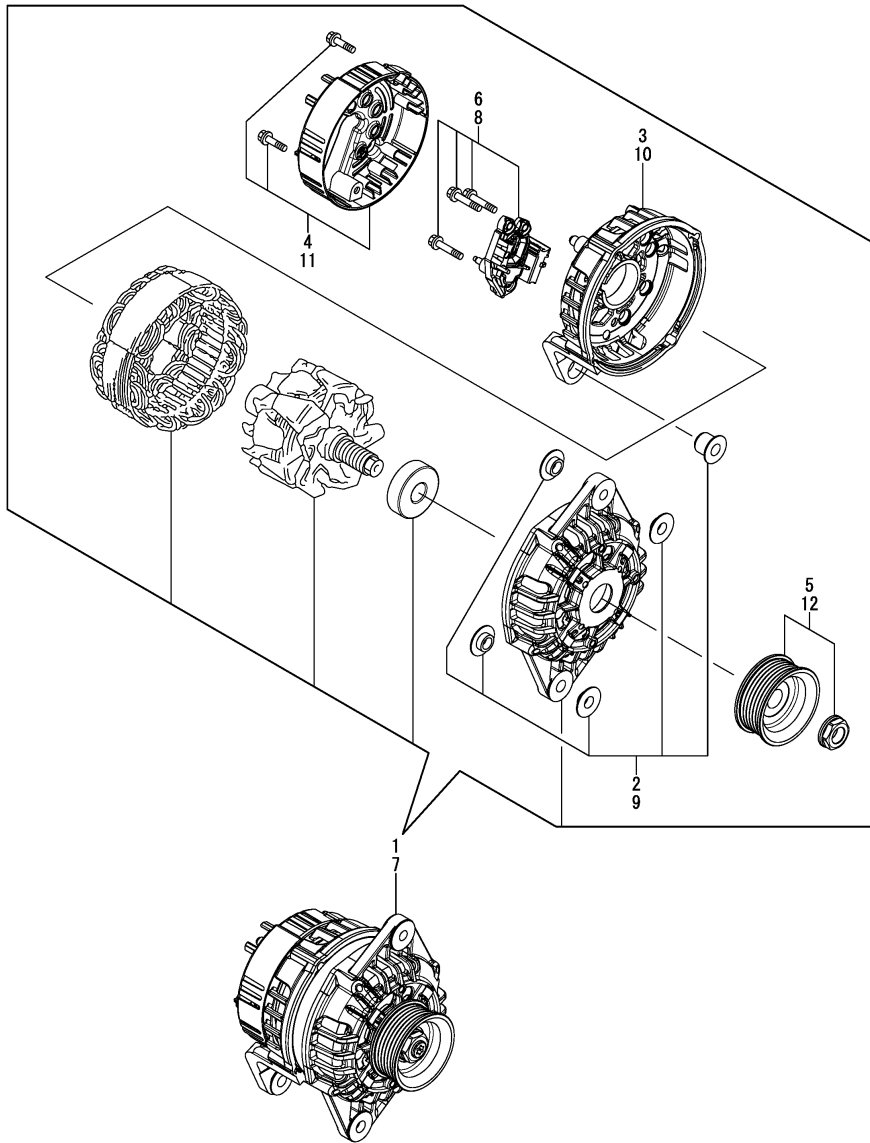


No.	Lev.	Parts No.	Description	Q'ty						I	R
				(A)	(B)	(C)	(D)	(E)	(F)		
1	1	128990-77250	ALTERNATOR, 12V-125A	1							1
2	2	128990-77700	COVER, REAR	1							1
3	2	128990-77730	PULLEY	1							1
4	2	128990-77770	RECTIFIER,12V BRACKE	1							1
5	2	128990-77780	REGULATOR,12V SCREW	1							1
6	1	129677-77250	ALTERNATOR, 24V-60A	1							2
7	2	129677-77280	RECTIFIER,24V BRACKE	1							2
8	2	129677-77290	REGULATOR,24V SCREWS	1							2
9	2	128990-77700	COVER, REAR	1							2
10	2	128990-77730	PULLEY	1							2

Remarks

- (1)12V specification.
- (2)24V specification.

Fig.44. ALTERNATOR(INNER PARTS)(ISOLATED TYPE)



(A)=3JH40
(B)=
(C)=

(D)=
(E)=
(F)=

No.	Lev.	Parts No.	Description	Q'ty						I	R
				(A)	(B)	(C)	(D)	(E)	(F)		
1	1	129677-77300	ALTERNATOR,12V-ISOLA	1							1
2	2	129677-77310	BUSH ASSY,ISOLATION	1							1
3	2	129677-77330	RECTIFIER,12V ISOLAT	1							1
4	2	128990-77700	COVER, REAR	1							1
5	2	128990-77730	PULLEY	1							1
6	2	128990-77780	REGULATOR,12V SCREW	1							1
7	1	129677-77450	ALTERNATOR,24V-ISOLA	1							2
8	2	129677-77290	REGULATOR,24V SCREWS	1							2
9	2	129677-77310	BUSH ASSY,ISOLATION	1							2
10	2	129677-77340	RECTIFIER,24V ISOLAT	1							2
11	2	128990-77700	COVER, REAR	1							2
12	2	128990-77730	PULLEY	1							2

Remarks

- (1)12V specification.
- (2)24V specification.

Fig.45. WIRE HARNESS

(A)=3JH40

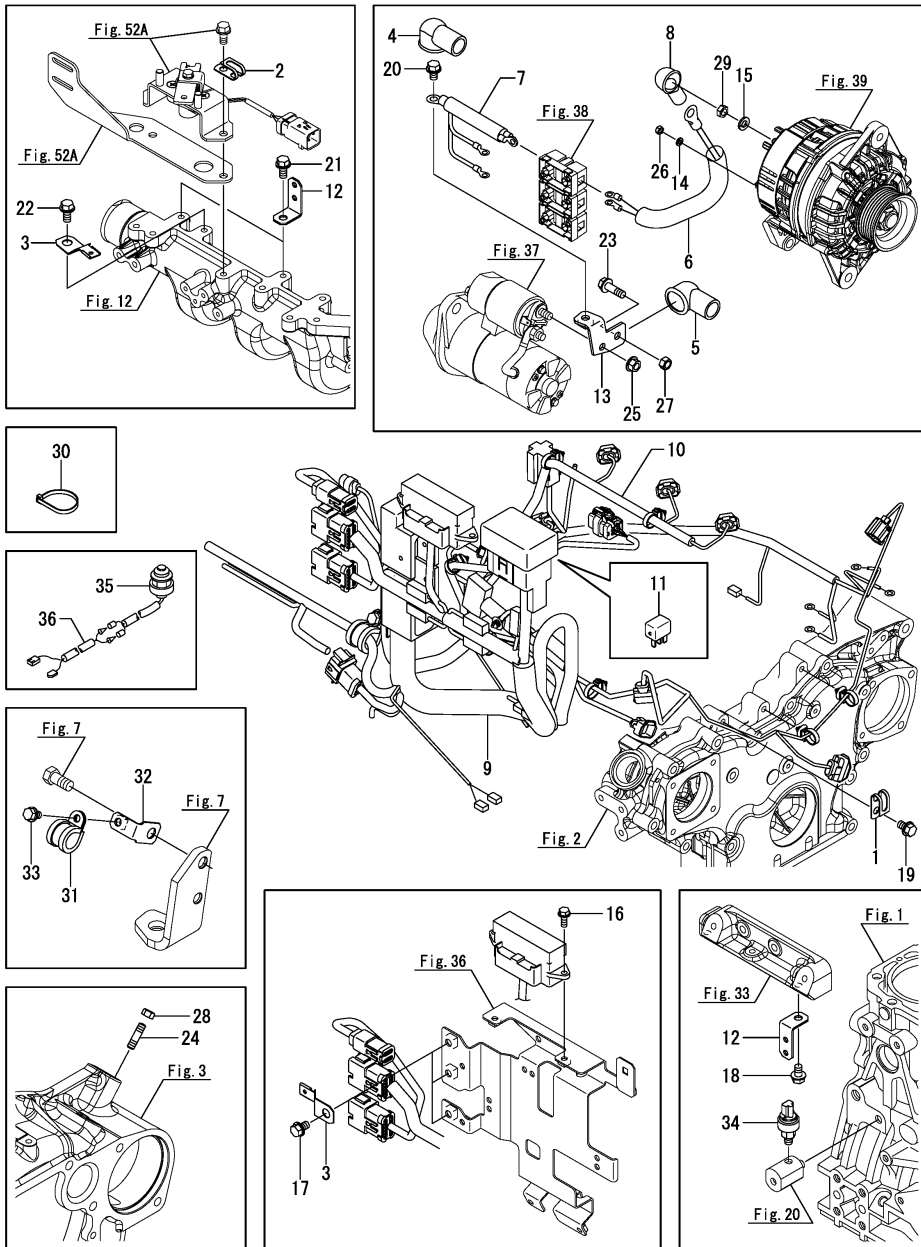
(B)=

(C)=

(D)=

(E)=

(F)=



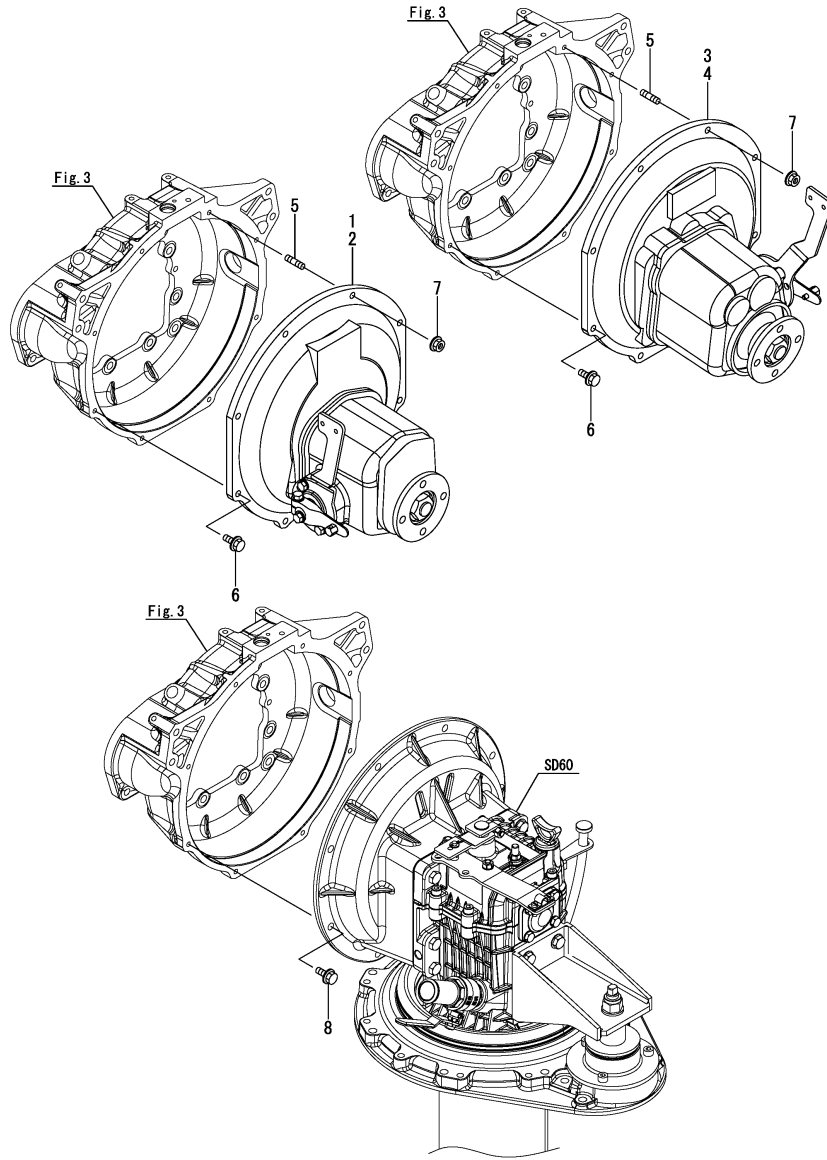
No.	Lev.	Parts No.	Description	Q'ty						I	R
				(A)	(B)	(C)	(D)	(E)	(F)		
1	1	194440-51620	CLAMP, B	1							
2	1	194440-51620	CLAMP, B	1							
3	1	119578-75610	CLIP, CONNECTOR	4							
4	1	119773-77030	COVER, TERMINAL	1							
5	1	119773-77030	COVER, TERMINAL	1							
6	1	129677-77030	HARNESS, WIRE A	1							
7	1	129272-77040	HARNESS, ALTERNATOR	1							
8	1	129677-77060	COVER, TERMINAL	1							
9	1	129272-77110	HARNESS, ECU K CONN	1							
10	1	129272-77130	HARNESS, ECU A CONN	1							
11	1	127677-77330	RELAY, MAIN	2							
12	1	129677-77550	BRACKET, HARNESS	3							
13	1	129675-77570	TERMINAL, BATTERY	1							
14	1	22217-050000	WASHER, SPRING 5	1							
15	1	22217-080000	WASHER, SPRING 8	1							
16	1	26106-060162	BOLT, M6X 16 PLATED	2							
17	1	26106-080122	BOLT, M8X 12 PLATED	3							
18	1	26106-080122	BOLT, M8X 12 PLATED	1							
19	1	26106-080122	BOLT, M8X 12 PLATED	1							
20	1	26106-080122	BOLT, M8X 12 PLATED	1							
21	1	26106-080162	BOLT, M8X 16 PLATED	2							
22	1	26106-080162	BOLT, M8X 16 PLATED	1							
23	1	26106-080252	BOLT, M8X 25 PLATED	1							
24	1	26216-080202	STUD, M8X 20	1							
25	1	26366-080002	NUT, M8	1							
26	1	26716-050002	NUT, M5	1							
27	1	26716-080002	NUT, M8	1							
28	1	26716-080002	NUT, M8	1							
29	1	26756-080002	NUT, LOCK M8	1							
30	1	29621-200001	BAND, TR200	14							
31	1	129672-49050	RETAINER, PIPE	1							
32	1	129677-77710	BRACKET, HARNESS	1							
33	1	26106-080122	BOLT, M8X 12 PLATED	1							
34	1	119578-91300	SENSOR, PRESSURE	1							
35	1	120270-77102	SWITCH, SAFETY	1							1
36	1	129570-77960	HARNESS, SWITCH	1							1

Remarks

(1)Optional parts.

N:Old $\begin{matrix} \leftarrow \text{Yes} \\ \text{No} \end{matrix}$ New, Q:Old $\begin{matrix} \leftarrow \text{No} \\ \text{Yes} \end{matrix}$ New, R:Old $\begin{matrix} \leftarrow \text{Yes} \\ \text{Yes} \end{matrix}$ New, S:Old $\begin{matrix} \leftarrow \text{No} \\ \text{No} \end{matrix}$ New, W:Add, Z:Discontinued, F:Interchangeable by set, K:Q'ty Change

Fig.48. CLUTCH(OPTIONAL)



(A)=3JH40
(B)=
(C)=

(D)=
(E)=
(F)=

No.	Lev.	Parts No.	Description	Q'ty						I	R
				(A)	(B)	(C)	(D)	(E)	(F)		
1	1	129270-81110	CLUTCH, KM35P I=2.36	1							1
2	1	129270-81120	CLUTCH, I=2.61	1							2
3	1	129270-81170	CLUTCH, I=2.33	1							3
4	1	129270-81180	CLUTCH, I=2.64	1							4
5	1	129670-13600	STUD, M8X20	2							
6	1	26106-080202	BOLT, M8X 20 PLATED	6							
7	1	26366-080002	NUT, M8	2							
8	1	26106-080182	BOLT, M8X 18 PLATED	8							

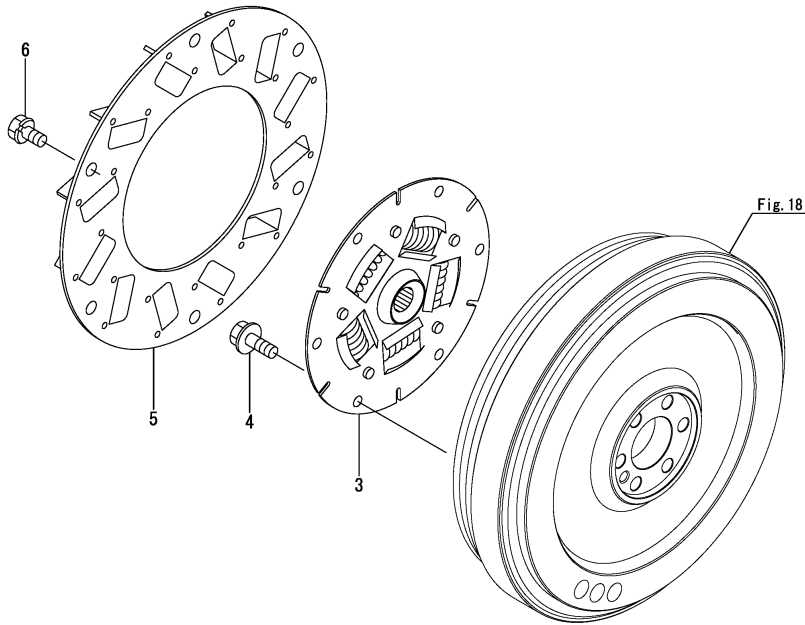
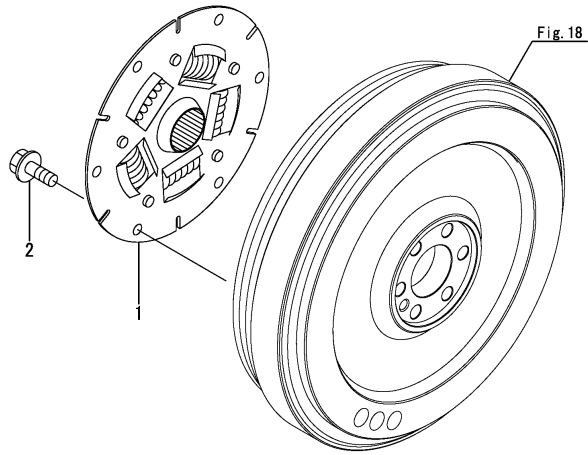
Remarks

- (1)KM35P(Reduction ratio 2.36)
- (2)KM35P(Reduction ratio 2.61)
- (3)KM35A(Reduction ratio 2.33)
- (4)KM35A(Reduction ratio 2.64)

Fig.49. DAMPER DISC(OPTIONAL)

(A)=3JH40
(B)=
(C)=

(D)=
(E)=
(F)=



No.	Lev.	Parts No.	Description	Q'ty						I	R
				(A)	(B)	(C)	(D)	(E)	(F)		
1	1	177090-03500	DISK, DAMPER D190	1							1
2	1	26106-080162	BOLT, M8X 16 PLATED	6							1
3	1	177070-03520	DISK, DAMPER D190	1							2
4	1	26106-080162	BOLT, M8X 16 PLATED	6							2
5	1	129670-81850	FAN, FLYWHEEL	1							2
6	1	26013-080142	BOLT, M8X 14	6							2

Remarks
(1)For SD60.
(2)For KM35A, KM35P.

Fig.51. PROPELLER NUT(FOR SD60)(OPTIONAL)

(A)=3JH40
(B)=
(C)=

(D)=
(E)=
(F)=

No.	Lev.	Parts No.	Description	Q'ty						I	R
				(A)	(B)	(C)	(D)	(E)	(F)		
1	1	796450-09200	NUT ASSY, PROPELLER	1							
2	2	196440-09150	BOLT, M8X105	1							
3	2	196440-09160	SPACER	1							
4	2	196440-09170	NUT, NYLON	1							
5	2	196440-09180	NUT, M8	1							
6	2	196440-09200	NUT ASSY, PROPELLER	1							
8	3	196440-09220	INSERT, 20X2.0X1.0D	1							
9	2	196420-09220	WASHER, PROPELLER	1							
10	2	26793-080002	NUT, LOCK M8	1							

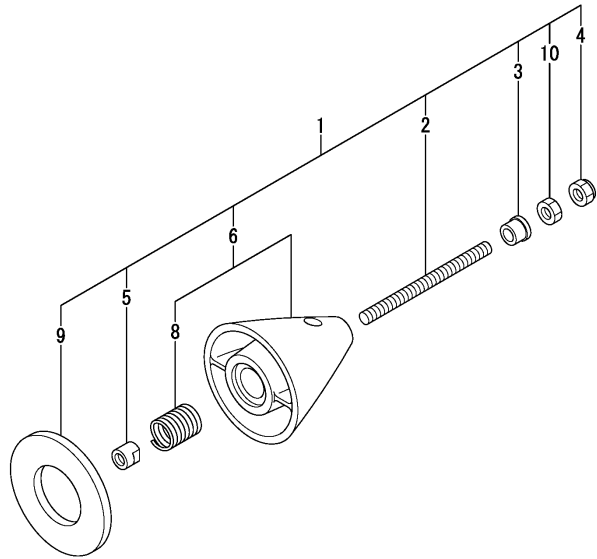
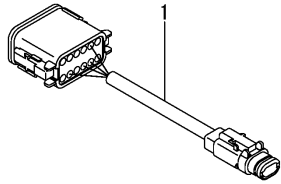
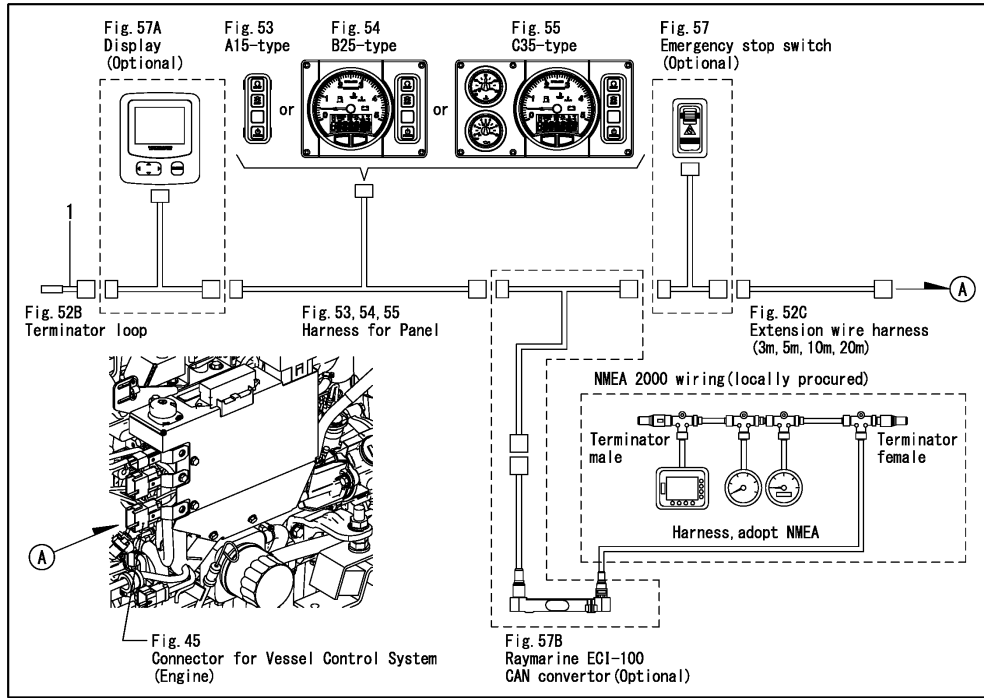


Fig.46. (52B)TERMINAL ADAPTER(FOR A15, B25, C35 PANEL)



(A)=3JH40
(B)=
(C)=

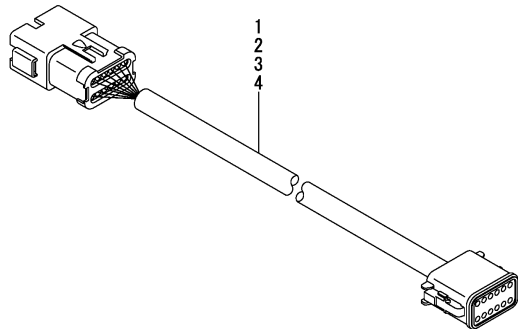
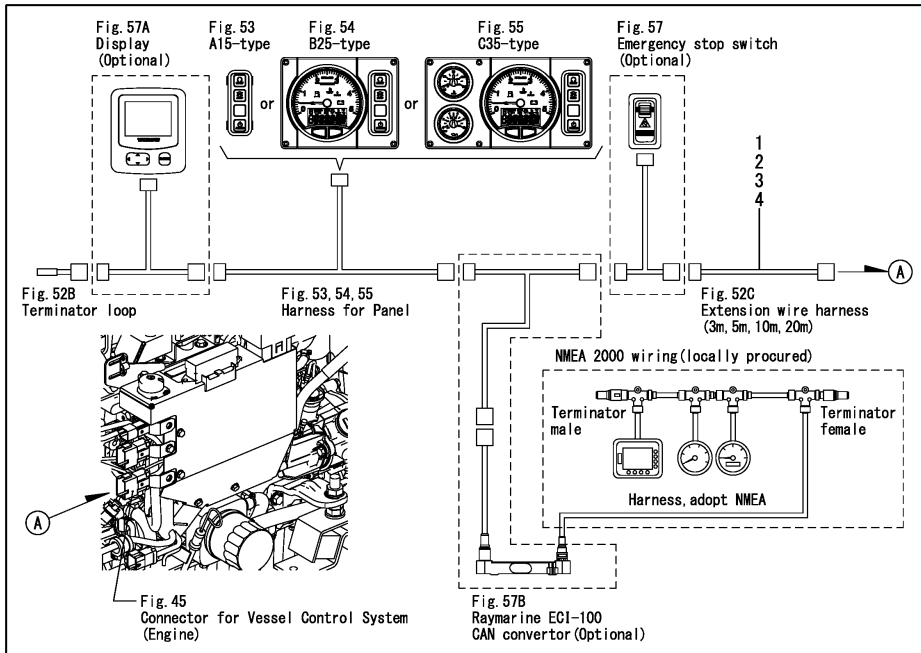
(D)=
(E)=
(F)=

No.	Lev.	Parts No.	Description	Q'ty						I	R
				(A)	(B)	(C)	(D)	(E)	(F)		
1	1	164000-29000	ADAPTER, TERMINAL	1							

Fig.47. (52C)EXTENSION HARNESS(FOR A15, B25, C35 PANEL)

(A)=3JH40
(B)=
(C)=

(D)=
(E)=
(F)=



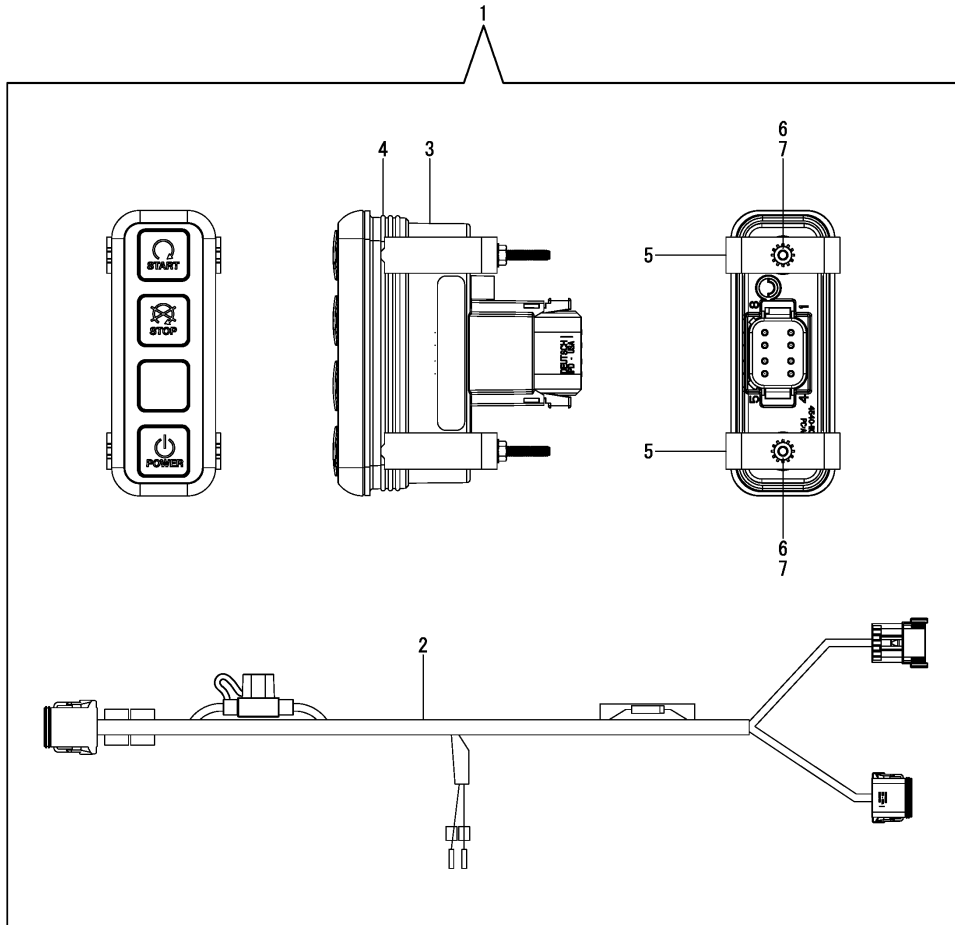
No.	Lev.	Parts No.	Description	Q'ty						I	R
				(A)	(B)	(C)	(D)	(E)	(F)		
1	1	164000-22211	HARNESS, EXT 3M	1							1
2	1	164000-22221	HARNESS, EXT 5M	1							1
3	1	164000-22231	HARNESS, EXT 10M	1							1
4	1	164000-22241	HARNESS, EXT 20M	1							1

Remarks
(1) Selective parts.

Fig.53. INSTRUMENT PANEL(A15)(MEDALLION)

(A)=3JH40
(B)=
(C)=

(D)=
(E)=
(F)=

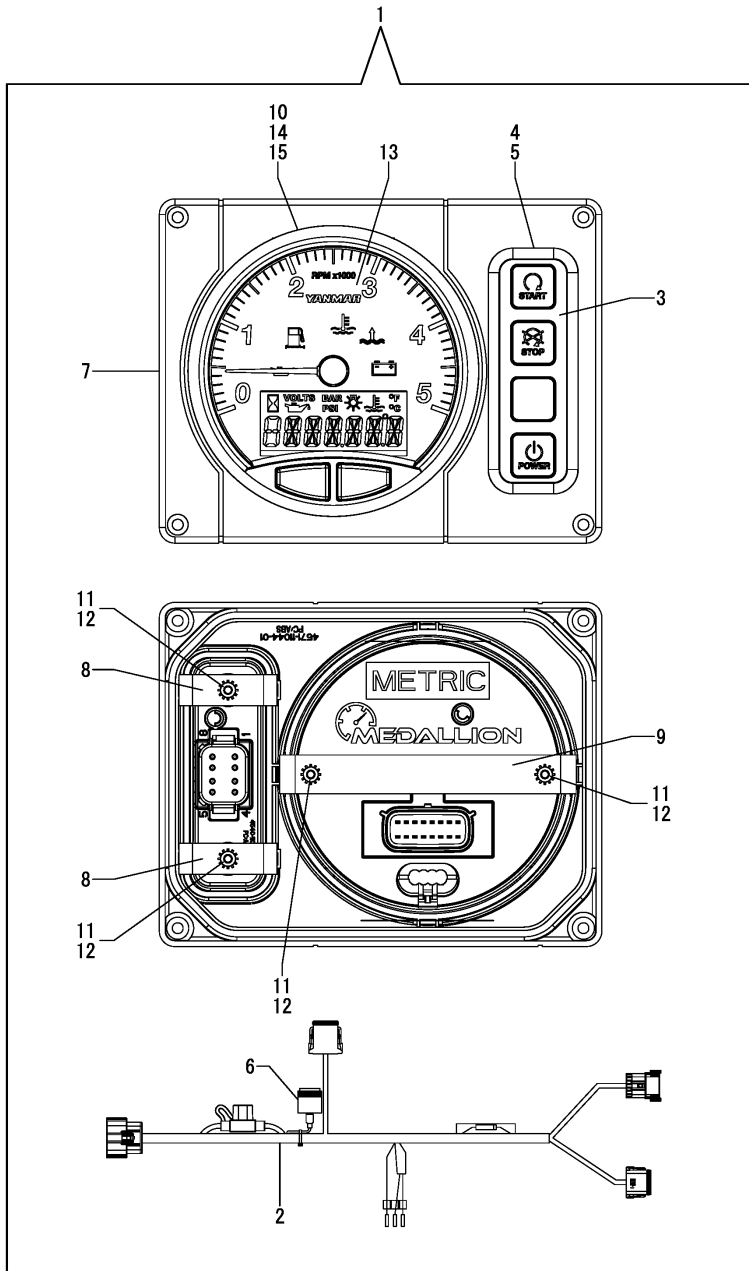


No.	Lev.	Parts No.	Description	Q'ty						I	R
				(A)	(B)	(C)	(D)	(E)	(F)		
1	1	164100-30411	PANEL ASSY, A15	1							
2	2	164100-21130	HARNES, PANEL EL A	1							
3	2	164100-31111	SWITCH, PANEL EL	1							
4	2	164100-31150	GASKET, SWITCH MD	1							
5	2	164100-39120	BRACKET, SWITCH MD	2							
6	2	164100-39180	WASHER, LOCK MD	2							
7	2	164100-39190	NUT, M3.5 MD	2							

Fig.54. INSTRUMENT PANEL(B25)(MEDALLION)

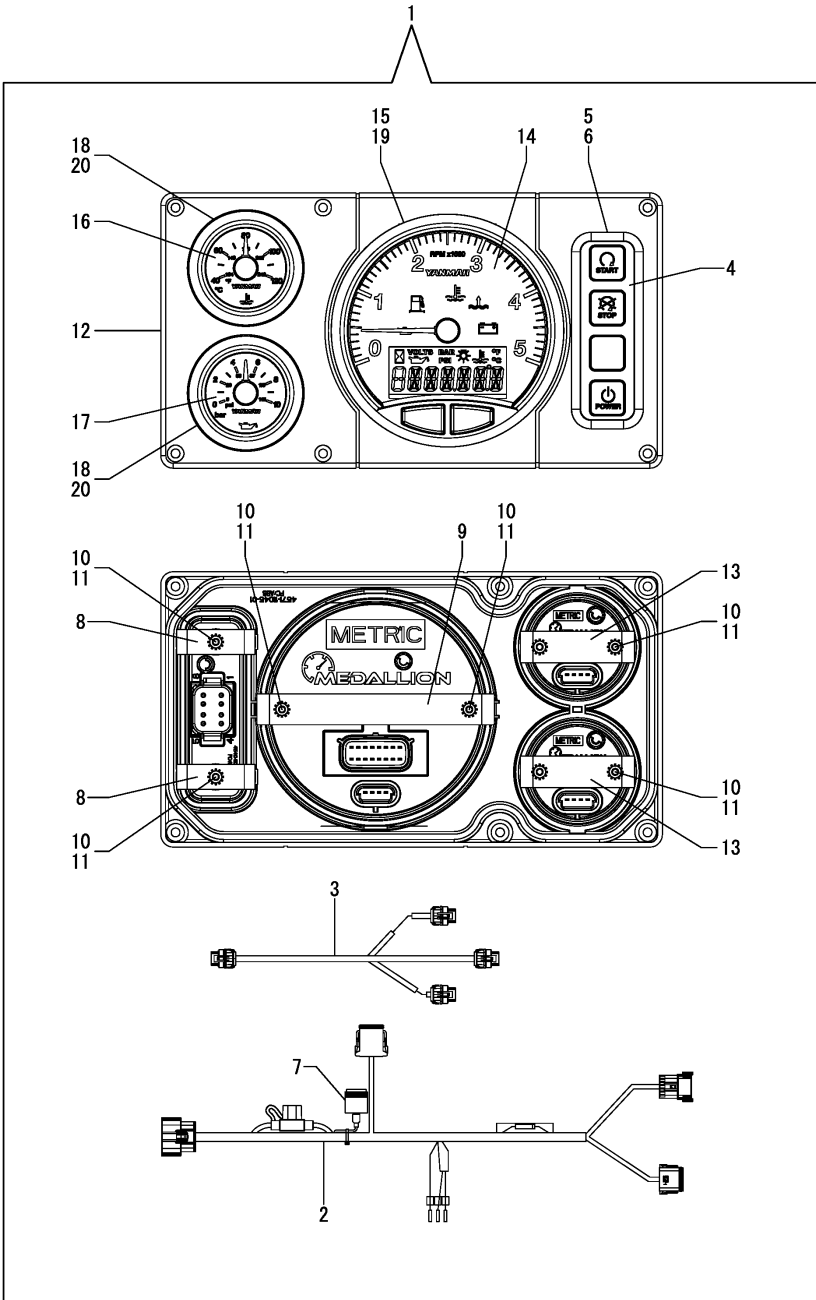
(A)=3JH40
(B)=
(C)=

(D)=
(E)=
(F)=



No.	Lev.	Parts No.	Description	Q'ty						I	R
				(A)	(B)	(C)	(D)	(E)	(F)		
1	1	164100-30112	PANEL ASSY, B25	1							
2	2	164100-21110	HARNES, PANEL EL	1							
3	2	164100-31111	SWITCH, PANEL EL	1							
4	2	164100-31150	GASKET, SWITCH MD	1							
5	2	164100-31900	BEZEL, SWITCH BK MD	1							
6	2	164100-36100	BUZZER, PANEL	1							
7	2	164100-39100	FRAME, PANEL B	1							
8	2	164100-39120	BRACKET, SWITCH MD	2							
9	2	164100-39131	BRACKET, GAUGE 5 MD	1							
10	2	164100-39150	CAP, GAUGE TERMINAL	1							
11	2	164100-39180	WASHER, LOCK MD	4							
12	2	164100-39190	NUT, M3.5 MD	4							
13	2	164100-53111	GAUGE, TACH LCD 5 EL	1							
14	2	164100-53150	GASKET, GAUGE 5 MD	1							
15	2	164100-53900	BEZEL, GAUGE 5 BK MD	1							

Fig.55. INSTRUMENT PANEL(C35)(MEDALLION)



(A)=3JH40
(B)=
(C)=

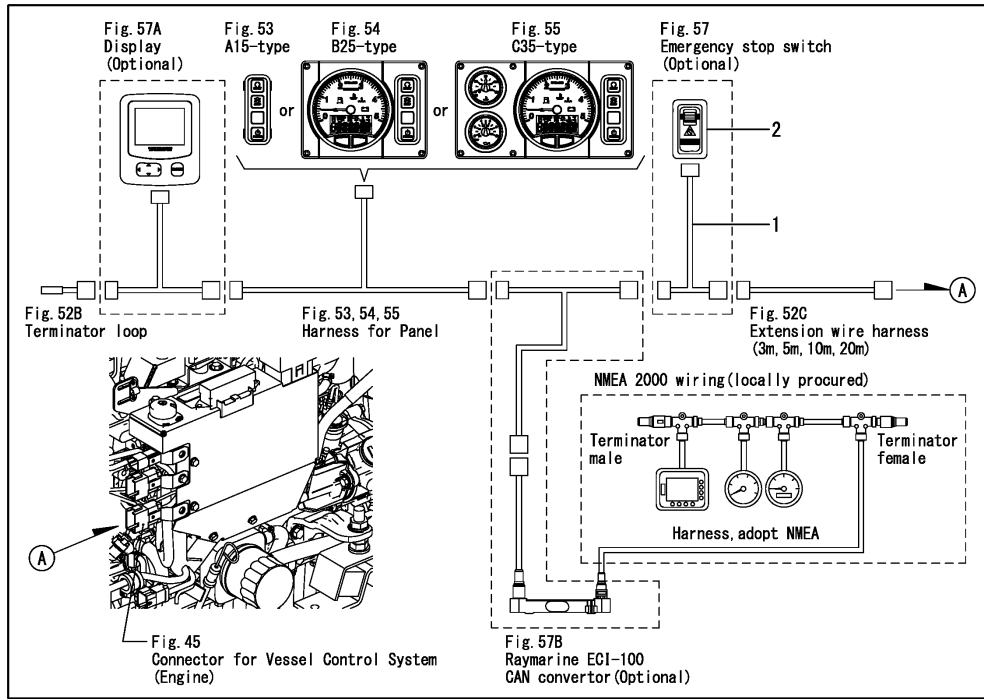
(D)=
(E)=
(F)=

No.	Lev.	Parts No.	Description	Q'ty						I	R
				(A)	(B)	(C)	(D)	(E)	(F)		
1	1	164100-30312	PANEL ASSY, C35	1							
2	2	164100-21110	HARNESS, PANEL EL	1							
3	2	164100-21200	HARNESS, GAUGE 2	1							
4	2	164100-31111	SWITCH, PANEL EL	1							
5	2	164100-31150	GASKET, SWITCH MD	1							
6	2	164100-31900	BEZEL, SWITCH BK MD	1							
7	2	164100-36100	BUZZER, PANEL	1							
8	2	164100-39120	BRACKET, SWITCH MD	2							
9	2	164100-39131	BRACKET, GAUGE 5 MD	1							
10	2	164100-39180	WASHER, LOCK MD	8							
11	2	164100-39190	NUT, M3.5 MD	8							
12	2	164100-39200	FRAME, PANEL C	1							
13	2	164100-39230	BRACKET, GAUGE 2 MD	2							
14	2	164100-53111	GAUGE, TACH LCD 5 EL	1							
15	2	164100-53150	GASKET, GAUGE 5 MD	1							
16	2	164100-53200	GAUGE, TEMPERATURE	1							
17	2	164100-53210	GAUGE, 2 MD	1							
18	2	164100-53250	GASKET, GAUGE 2 MD	2							
19	2	164100-53900	BEZEL, GAUGE 5 BK MD	1							
20	2	164100-53920	BEZEL, GAUGE 2 BK MD	2							

Fig.57. EMERGENCY STOP SWITCH(FOR A15, B25, C35 PANEL)(OPTIONAL)

(A)=3JH40
(B)=
(C)=

(D)=
(E)=
(F)=



No.	Lev.	Parts No.	Description	Q'ty						I	R
				(A)	(B)	(C)	(D)	(E)	(F)		
1	1	164000-21302	HARNES, WIRE E-STOP	1							
2	1	164100-31500	PANEL,E-STOP	1							

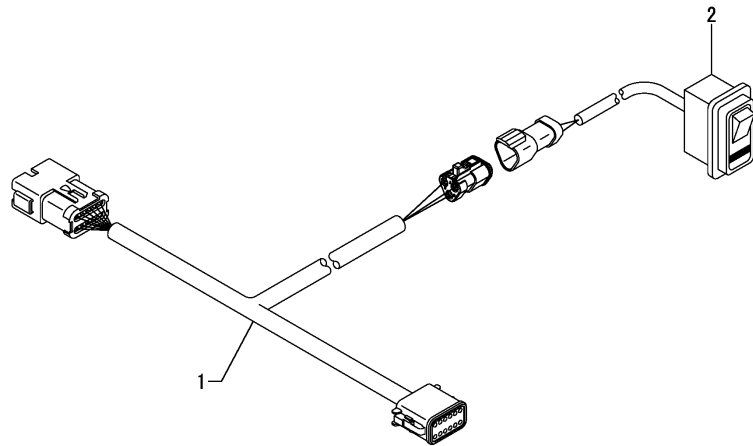
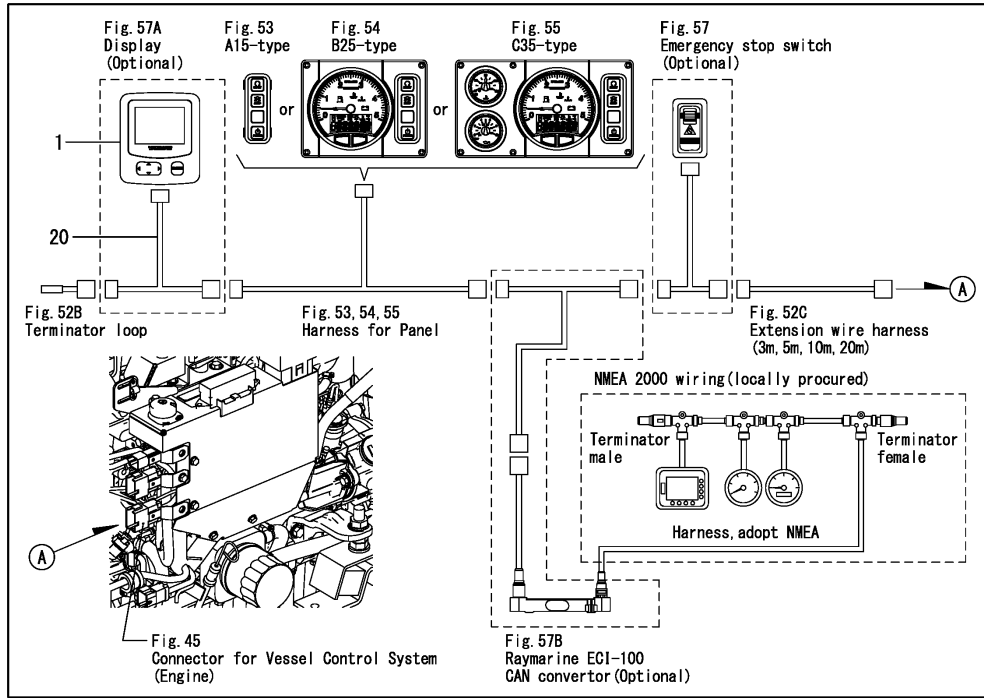


Fig.66. (57A)DISPLAY(FOR A15, B25, C35 PANEL)(OPTIONAL)

(A)=3JH40
(B)=
(C)=

(D)=
(E)=
(F)=



No.	Lev.	Parts No.	Description	Q'ty						I	R
				(A)	(B)	(C)	(D)	(E)	(F)		
1	1	164000-51047	DISPLAY ASSY,VC10-2	1							
2	2	164000-37360	NUT, PLASTIC M4	4							
3	2	164000-51020	DISPLAY ASSY, VC10	1							
16	2	164000-51031	COVER,DISPLAY	1							
17	2	164000-51110	GASKET, SPACER	1							
18	2	164000-51211	SPACER, DISPLAY	1							
19	2	164000-51310	STUD, M4X50	4							
20	1	164000-21340	HARNESS, WIRE	1							

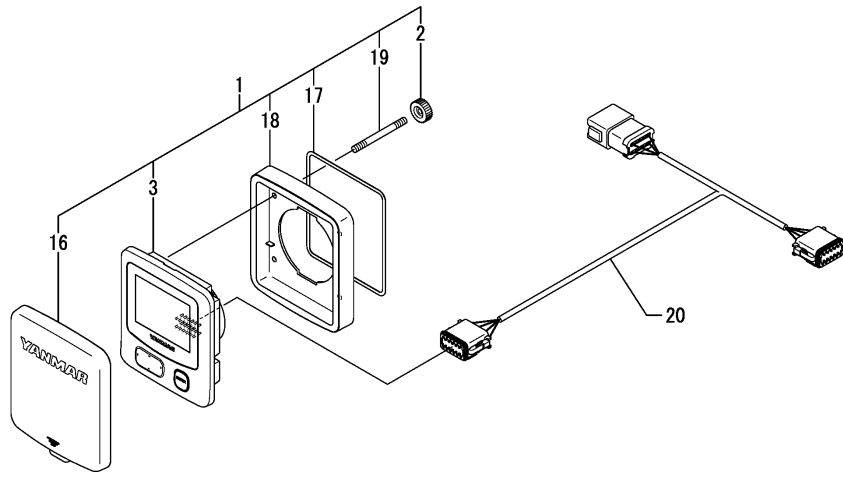
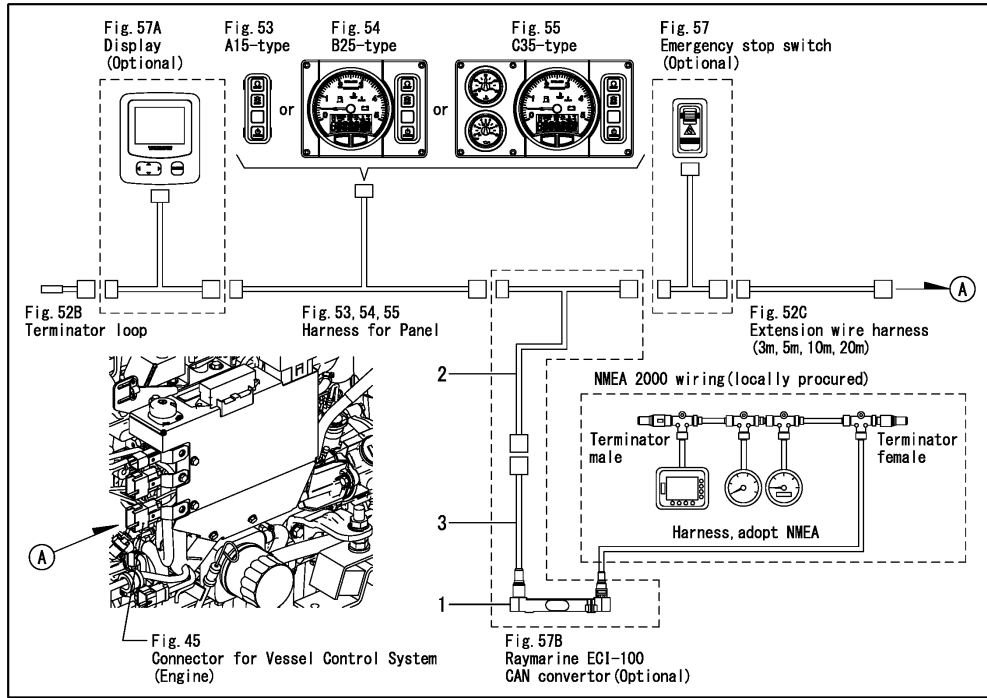


Fig.67. (57B)CAN CONVERTOR(FOR A15, B25, C35 PANEL)(OPTIONAL)

(A)=3JH40
(B)=
(C)=

(D)=
(E)=
(F)=



No.	Lev.	Parts No.	Description	Q'ty						I	R
				(A)	(B)	(C)	(D)	(E)	(F)		
1	1	164000-17000	CONVERTER, CAN	1							
2	1	164000-21350	HARNES, WIRE	1							
3	1	164000-24801	CABLE,CAN A	1							

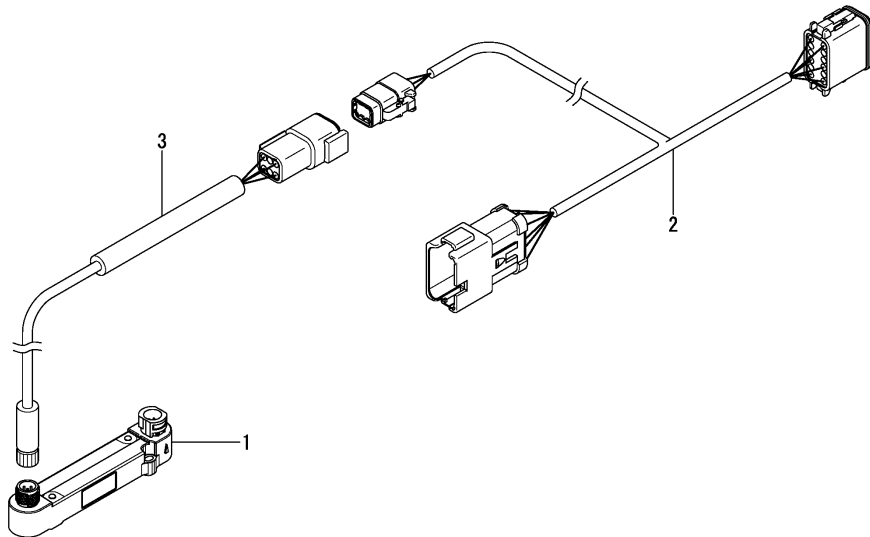
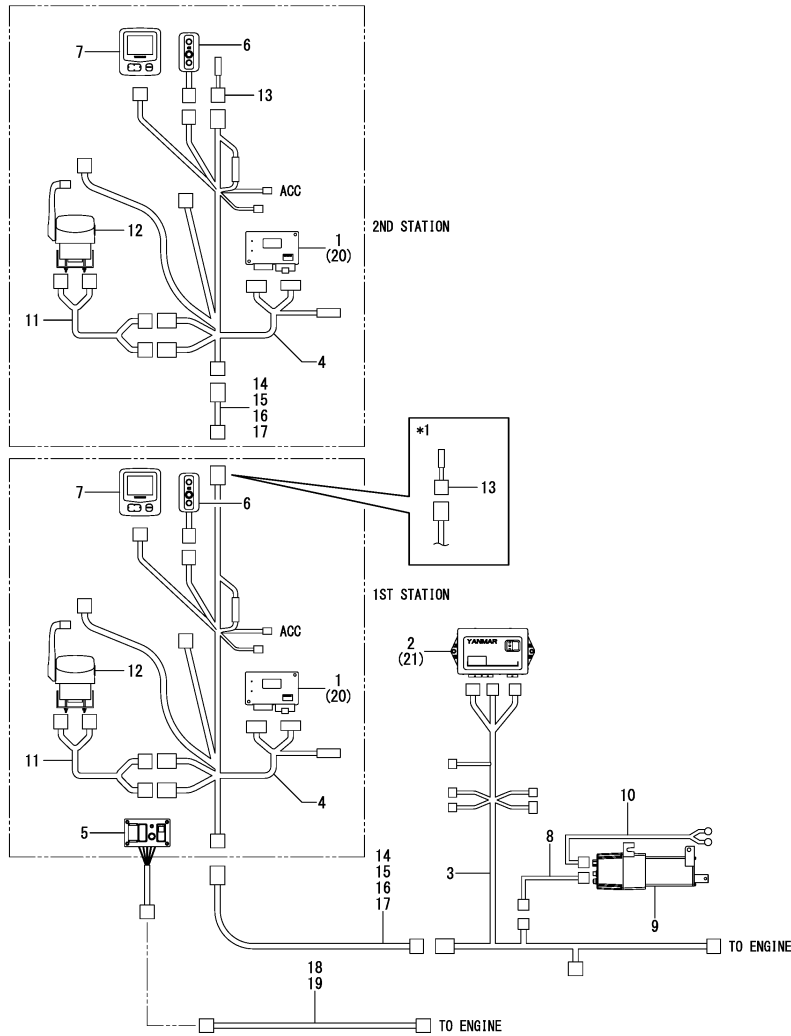


Fig.68. (57C)VC10(SINGLE ENGINE)(OPTIONAL)

(A)=3JH40
(B)=
(C)=

(D)=
(E)=
(F)=



No.	Lev.	Parts No.	Description	Q'ty						I	R
				(A)	(B)	(C)	(D)	(E)	(F)		
1	1	164000-10000	CONTROLLER ASSY	2							1
2	1	164000-10830	CONTROLLER ASSY,JH	1							1
3	1	164000-21321	HARNESS,WIRE DRIVE C	1							
4	1	164000-21501	HARNESS,HELM EPS	2							
5	1	164000-30012	PANEL ASSY,BACK UP	1							3
6	1	164000-37011	PANEL, SWITCH	2							3
7	1	164000-51047	DISPLAY ASSY,VC10-2	2							3
8	1	164000-24801	CABLE,CAN A	1							
9	1	164000-44000	ACTUATOR, SHIFT	1							
10	1	164000-21400	HARNESS,SHIFACT PWR	1							
11	1	164000-21220	HARNESS, WIRE	2							
12	1	164000-41010	HEAD, CONTROL	2							
13	1	164000-29000	ADAPTER, TERMINAL	1							
14	1	164000-22211	HARNESS, EXT 3M	2							4
15	1	164000-22221	HARNESS, EXT 5M	2							4
16	1	164000-22231	HARNESS, EXT 10M	2							4
17	1	164000-22241	HARNESS, EXT 20M	2							4
18	1	164000-22260	HARNESS, WIRE 5M	1							4
19	1	164000-22270	HARNESS, WIRE 10M	1							4
20	1	164000-10210	CONTROLLER ASSY	2							2
21	1	164000-10200	CONTROLLER ASSY	1							2

Remarks

*1. For single station, be sure to connect No.16 Adapter, terminal here.

(1)Eco Controller

This part cannot be ordered.

Spare the part using a Service Controller with the proper engine information installed.

(2)Service Controller

If the proper information is not installed, the engine will not operate.

To install proper information, go to an authorized distributor.

(3)Inner parts are shown in Fig.70(57E).

(4)Selective parts.

Fig.69. (57D)VC10(TWIN ENGINE)(OPTIONAL)

(A)=3JH40

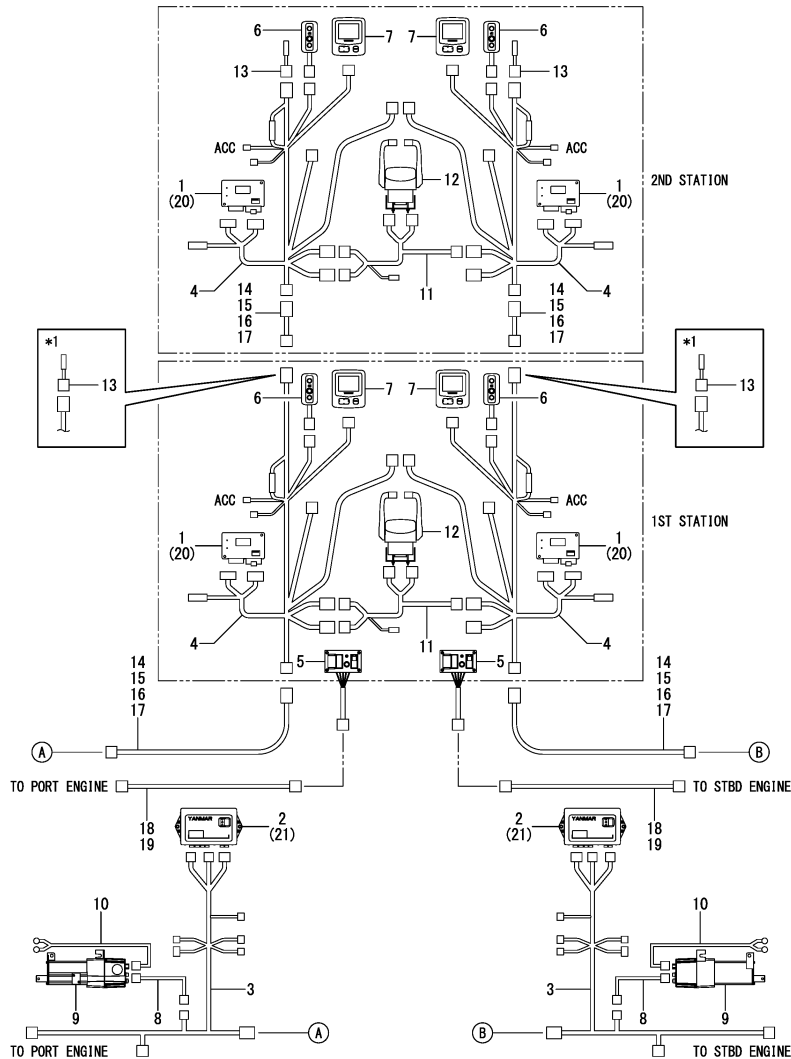
(B)=

(C)=

(D)=

(E)=

(F)=



No.	Lev.	Parts No.	Description	Q'ty						I	R
				(A)	(B)	(C)	(D)	(E)	(F)		
1	1	164000-10000	CONTROLLER ASSY	4							1
2	1	164000-10830	CONTROLLER ASSY,JH	2							1
3	1	164000-21321	HARNESS,WIRE DRIVE C	2							
4	1	164000-21501	HARNESS,HELM EPS	4							
5	1	164000-30012	PANEL ASSY,BACK UP	2							3
6	1	164000-37011	PANEL, SWITCH	4							3
7	1	164000-51047	DISPLAY ASSY,VC10-2	4							3
8	1	164000-24801	CABLE,CAN A	2							
9	1	164000-44000	ACTUATOR, SHIFT	2							
10	1	164000-21400	HARNESS,SHIFACT PWR	2							
11	1	164000-21212	HARNESS,WIRE CH	2							
12	1	164000-41030	HEAD, CONTROL	2							
13	1	164000-29000	ADAPTER, TERMINAL	2							
14	1	164000-22211	HARNESS, EXT 3M	4							4
15	1	164000-22221	HARNESS, EXT 5M	4							4
16	1	164000-22231	HARNESS, EXT 10M	4							4
17	1	164000-22241	HARNESS, EXT 20M	4							4
18	1	164000-22260	HARNESS, WIRE 5M	2							4
19	1	164000-22270	HARNESS, WIRE 10M	2							4
20	1	164000-10210	CONTROLLER ASSY	4							2
21	1	164000-10200	CONTROLLER ASSY	2							2

Remarks

*1. For single station, be sure to connect No.16 Adapter, terminal here.

(1)Eco Controller

This part cannot be ordered.

Spare the part using a Service Controller with the proper engine information installed.

(2)Service Controller

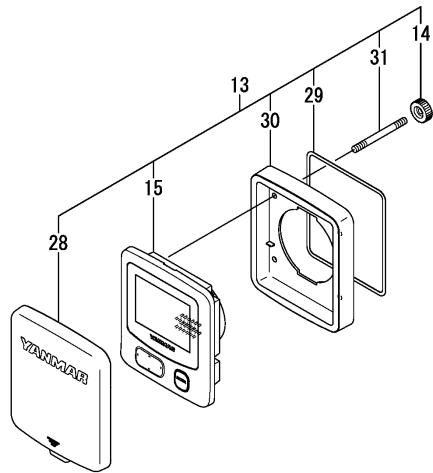
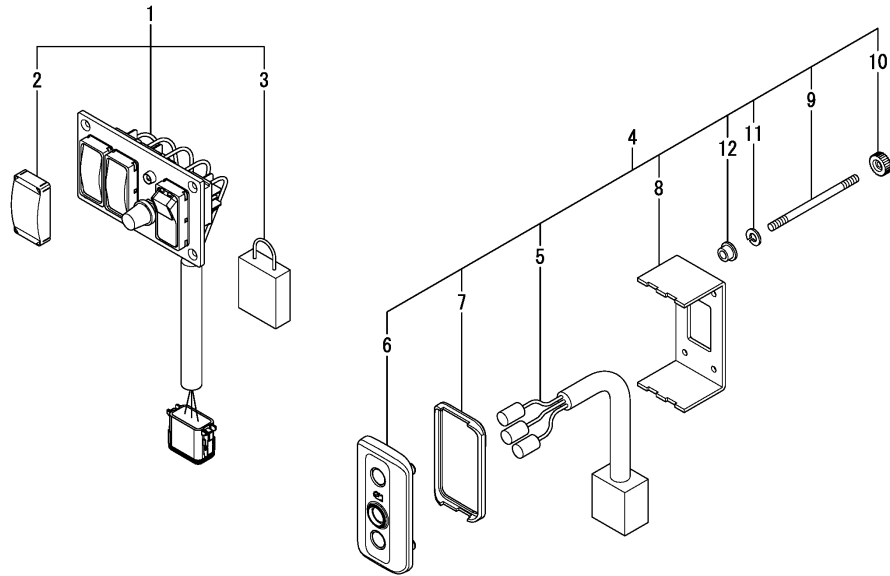
If the proper information is not installed, the engine will not operate.

To install proper information, go to an authorized distributor.

(3)Inner parts are shown in Fig.70(57E).

(4)Selective parts.

Fig.70. (57E)VC10(DISPLAY & PANEL)(INNER PARTS)



(A)=3JH40
(B)=
(C)=

(D)=
(E)=
(F)=

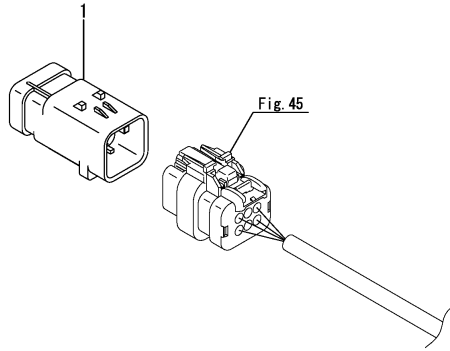
No.	Lev.	Parts No.	Description	Q'ty						I	R
				(A)	(B)	(C)	(D)	(E)	(F)		
1	1	164000-30012	PANEL ASSY,BACK UP	1							
2	2	164000-29020	COVER, SWITCH	1							
3	2	164000-29050	JUMPER, STOP	1							
4	1	164000-37011	PANEL, SWITCH	1							
5	2	164000-29010	HARNESS, WIRE	1							
6	2	164000-37021	FRAME, SWITCH PANEL	1							
7	2	164000-37110	GASKET, SWITCH PANEL	1							
8	2	164000-37210	RETAINER, PANEL	1							
9	2	164000-37310	STUD, M4X70	4							
10	2	164000-37360	NUT, PLASTIC M4	4							
11	2	164000-37410	WASHER, SPRING 4	4							
12	2	164000-37460	COLLAR, PLASTIC 4	4							
13	1	164000-51047	DISPLAY ASSY,VC10-2	1							
14	2	164000-37360	NUT, PLASTIC M4	4							
15	2	164000-51020	DISPLAY ASSY, VC10	1							
28	2	164000-51031	COVER,DISPLAY	1							
29	2	164000-51110	GASKET, SPACER	1							
30	2	164000-51211	SPACER, DISPLAY	1							
31	2	164000-51310	STUD, M4X50	4							

Fig.71. (57F)CAP(THROTTLE CONNECTOR)(FOR VC10)

(A)=3JH40
(B)=
(C)=

(D)=
(E)=
(F)=

No.	Lev.	Parts No.	Description	Q'ty						I	R
				(A)	(B)	(C)	(D)	(E)	(F)		
1	1	129677-77170	CONNECTOR ASSY	1							1



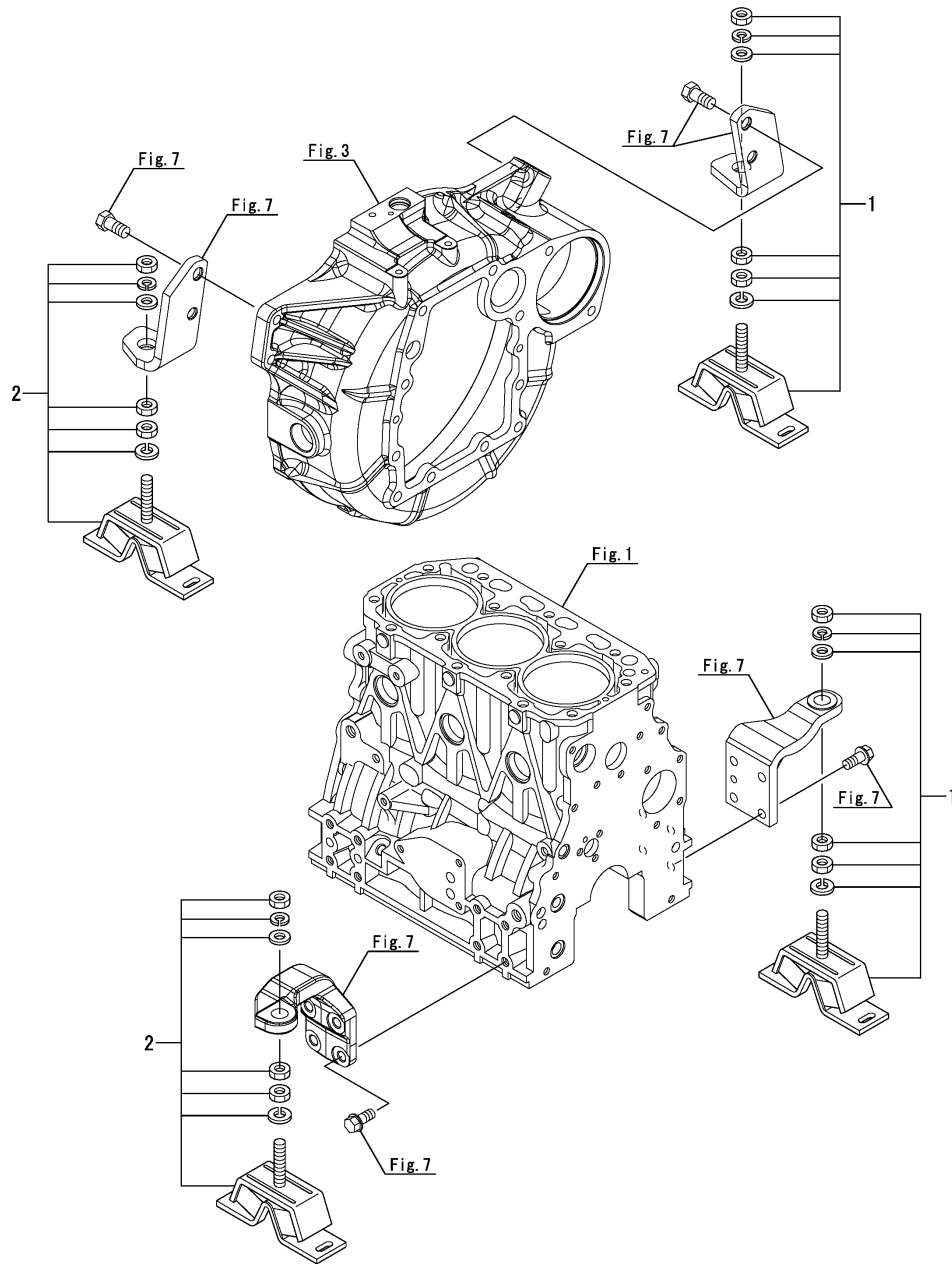
Remarks

(1) Since the throttle sensor in Fig.56(52A) is not used in the VC10 specification, this part is attached as a waterproof cap of the throttle sensor connector of Fig.45 No.9 wire harness.

Fig.60. FLEXIBLE MOUNT(FOR KM35A, KM35P)

(A)=3JH40
(B)=
(C)=

(D)=
(E)=
(F)=



No.	Lev.	Parts No.	Description	Q'ty						I	R
				(A)	(B)	(C)	(D)	(E)	(F)		
1	1	129670-08341	MOUNT, FLEXIBLE 150	2							
2	1	128377-08351	MOUNT, FLEXIBLE 100	2							

Fig.61. FLEXIBLE MOUNT(FOR SD60)

(A)=3JH40
(B)=
(C)=

(D)=
(E)=
(F)=

No.	Lev.	Parts No.	Description	Q'ty						I	R
				(A)	(B)	(C)	(D)	(E)	(F)		
1	1	129271-08390	MOUNT ASSY, FLEXIBLE	2							

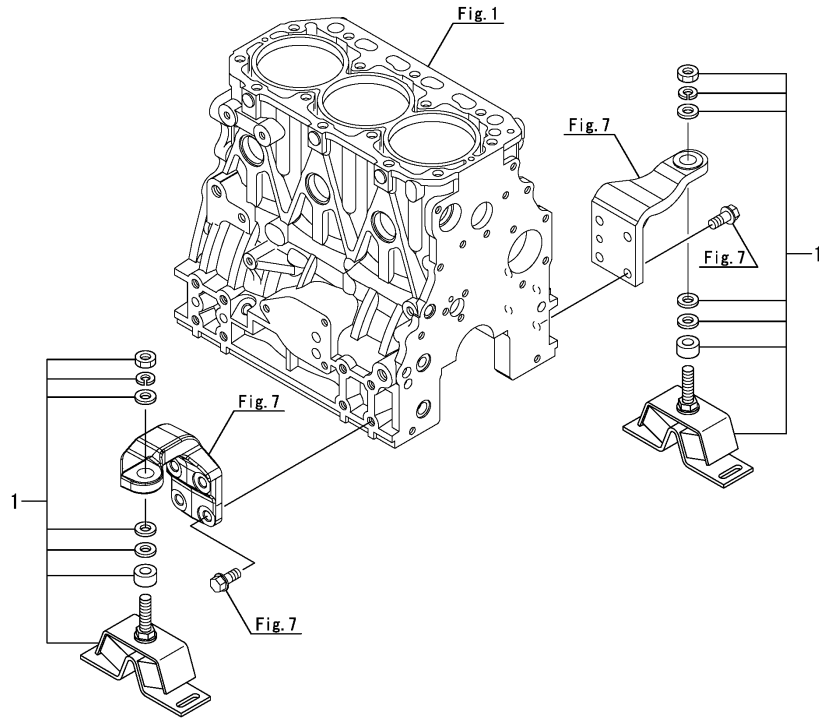


Fig.63. LABEL(SAFETY)(BUNDLED ITEMS)

(A)=3JH40
(B)=
(C)=

(D)=
(E)=
(F)=

No.	Lev.	Parts No.	Description	Q'ty						I	R
				(A)	(B)	(C)	(D)	(E)	(F)		
1	1	128296-07190	LABEL, LOOSE PARTS	1							
2	2	128296-07400	LABEL, DANGER	2							
3	2	128296-07420	LABEL, DANGER	1							
4	2	128296-07450	LABEL, CAUTION	1							
5	2	128296-07460	LABEL, OPERATION	1							

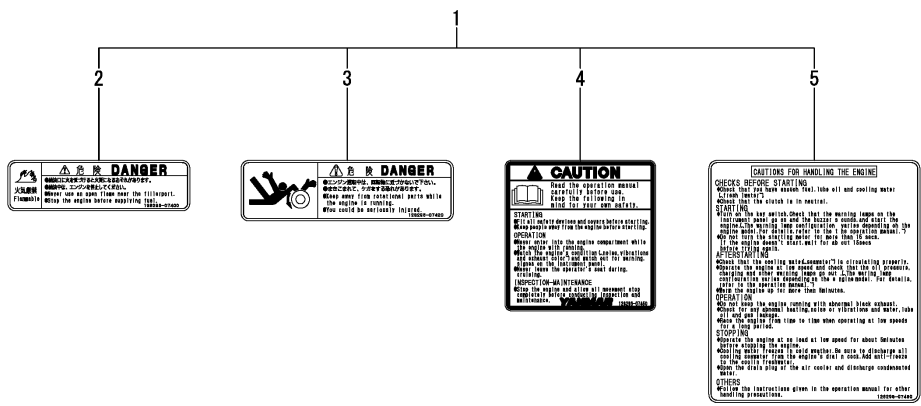


Fig.64. REMOTE CONTROL HEAD(OPTIONAL)

(A)=3JH40
(B)=
(C)=

(D)=
(E)=
(F)=

No.	Lev.	Parts No.	Description	Q'ty						I	R
				(A)	(B)	(C)	(D)	(E)	(F)		
1	1	128170-86501	REMOCON HEAD (MN	1							
2	1	41730-000681	CONTROL, MT-3	1							

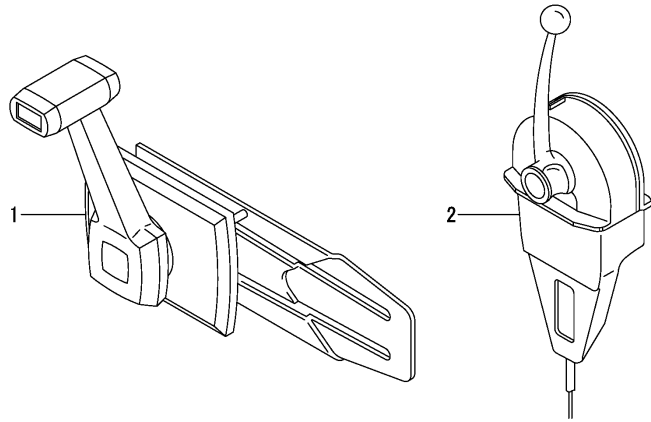
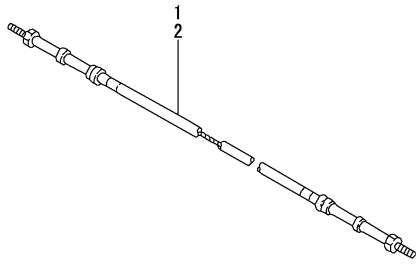


Fig.65. REMOTE CONTROL CABLE(OPTIONAL)

(A)=3JH40
(B)=
(C)=

(D)=
(E)=
(F)=

No.	Lev.	Parts No.	Description	Q'ty						I	R
				(A)	(B)	(C)	(D)	(E)	(F)		
1	1	27730-301400	CABLE, REMO-CON	2							1
2	1	129470-86500	CABLE, L=7000	2							2



Remarks
(1)4m.
(2)7m.

Parts No. Index

Parts No.	Fig. No.	Ref. No.
101304-59020	32	12
105311-67200	56	1
119172-55801	32	3
119172-55811	32	10
119187-39700	31	2
119305-35170	20	30
119578-75610	45	3
119578-77080	38	9
119578-77200	38	10
119578-77680	40	11
119578-91300	45	34
119578-91351	40	13
119609-32040	2	6
119620-01750	3	3
119620-49290	20	42
	25	14
119624-32040	2	7
119640-61400	11	14
119773-42570	22	13
119773-77030	45	4
		5
119802-11260	10	4
119802-11270	10	5
119802-11280	10	6
119802-25071	17	29
119802-49730	35	2
119803-21200	18	5
119803-77830	10	42
119807-11770	41	7
	42	7
119865-21600	18	16
119934-01800	2	16
119940-59130	20	40
120130-11860	10	43
120270-54410	10	32
120270-77102	45	35
120322-33050	25	11
120650-42350	22	4
120650-42380	22	5
120650-42420	22	6
121111-21501	18	12
121252-39450	20	47
121400-11340	10	26
121450-01560	2	2
	22	1
121550-23200	19	16
121574-86320	56	7
121575-49310	20	52
	41	8
	42	8

Parts No.	Fig. No.	Ref. No.
121850-21680	18	11
121857-55630	32	4
121857-55710	32	7
121857-55730	32	8
121857-55740	32	9
121857-55750	32	5
121857-55760	32	6
122780-59100	34	1
123325-49421	14	5
123682-07852	6	1
123907-03100	11	6
123907-03110	11	7
123907-03120	11	8
123907-03140	11	9
124060-01050	1	12
124085-35350	20	31
124160-01751	2	4
	11	1
124160-01910	1	13
		14
124160-11360	11	2
124195-77770	37	23
124240-01871	2	10
		17
124460-11340	10	27
124976-34850	1	39
126630-91601	40	14
127610-39350	31	3
127677-77060	38	8
127677-77330	45	11
127687-39360	31	4
128170-86501	64	1
128296-07190	63	1
128296-07400	63	2
128296-07420	63	3
128296-07450	63	4
128296-07460	63	5
128377-07150	6	4
	13	2
128377-07350	8	2
128377-08351	60	2
128397-44500	25	24
128397-44510	25	26
128790-77580	41	11
	42	12
128990-07270	6	5
128990-07900	6	2
128990-34900	6	7
128990-49320	28	2
128990-49400	28	5

Parts No.	Fig. No.	Ref. No.
128990-59900	32	13
128990-77250	39	1
	41	1
	43	1
128990-77430	13	6
	38	2
128990-77441	8	4
	9	3
		15
	36	16
128990-77510	8	9
	9	9
		19
128990-77600	8	5
	9	4
		16
	36	17
128990-77610	38	4
128990-77700	43	2
		9
	44	4
		11
128990-77730	43	3
		10
	44	5
		12
128990-77770	43	4
128990-77780	43	5
	44	6
129001-01250	1	5
129001-02931	1	30
129004-03010	11	4
129004-11241	10	1
129004-11251	10	2
129004-11650	10	8
129005-11100	10	22
129006-35100	20	24
129006-44480	20	32
129008-21000	18	1
129008-77800	10	40
129051-49310	28	1
129054-42320	23	3
129100-01580	2	3
	3	1
		7
	18	2
129100-01640	3	8
129100-01730	4	5
129100-11112	10	23
129100-23910	19	19

Parts No.	Fig. No.	Ref. No.
129150-01200	1	28
129150-01881	22	2
129150-02020	1	7
129150-02450	17	4
129150-02871	1	33
129150-02931	1	24
129150-02941	1	36
129150-03070	11	5
129150-11230	10	9
129150-11280	10	7
129150-11370	10	12
129150-11750	10	11
129150-11810	10	44
129150-12111	12	5
129150-13110	25	1
129150-14200	17	1
129150-14400	17	2
129150-23601	19	17
129150-23611	19	20
129150-35042	20	15
129150-35091	20	16
129150-35111	20	28
129150-49811	23	14
129202-22300	19	9
129263-49350	23	5
129270-44410	25	9
129270-44501	25	25
129270-44910	25	2
129270-49210	27	2
129270-81110	48	1
129270-81120	48	2
129270-81170	48	3
129270-81180	48	4
129270-92100	58	1
129270-92600	58	2
129270-92610	58	5
129270-92620	58	6
129270-92630	58	7
129270-92640	58	8
129270-92650	58	3
129270-92690	58	4
129271-01700	4	1
129271-08390	61	1
129271-12311	13	3
129271-12810	13	5
129271-34850	21	1
129271-34890	21	2
129271-42351	23	18
129271-42502	22	3
129271-42510	22	7

Parts No. Index

Parts No.	Fig. No.	Ref. No.
129271-42700	22	36
129271-49040	26	1
129271-49110	26	2
	27	1
129271-49220	27	3
129271-77251	41	10
	42	10
129271-77641	39	3
	41	15
129272-00300	38	1
129272-00400	38	7
129272-03090	5	1
129272-07800	6	9
129272-07900	10	37
129272-08100	7	1
129272-09200	9	1
129272-09290	9	12
129272-09300	9	11
129272-09310	9	13
129272-09320	9	14
129272-09330	9	17
129272-09620	9	8 -1
129272-11360	11	3
129272-11380	11	13
129272-11700	10	13
129272-12100	12	1
129272-12410	13	9
129272-21580	18	13
129272-21600	18	9
129272-59700	34	4
129272-75010	36	1
129272-77040	45	7
129272-77110	45	9
129272-77130	45	10
129272-77380	40	5
129272-77560	38	3
129272-77580	38	11
129272-77750	36	10
129272-77770	36	14
129272-77780	36	12
129272-77800	36	20
129410-03990	5	2
129417-35150	20	26
129466-49300	23	4
129470-13541	14	1
129470-49540	23	11
129470-49801	23	13
129470-86500	65	2
129472-13560	14	2
129472-18090	14	3

Parts No.	Fig. No.	Ref. No.
129472-18090	15	2
	16	2
129486-01670	3	11
129486-32020	20	13
129486-42050	23	7
129508-33031	20	21
129508-33060	20	22
129508-35100	20	23
129508-35150	20	27
129508-49030	20	33
129508-49040	20	37
129570-77960	45	36
129608-77010	37	1
129608-77110	37	4
129670-08110	7	2
129670-08120	7	3
129670-08130	7	4
129670-08341	60	1
129670-12290	13	1
129670-12360	13	4
129670-13561	15	1
	16	1
129670-13600	25	3
	48	5
129670-39600	20	48
129670-42520	22	8
129670-42531	22	9
129670-42540	22	10
129670-42550	22	11
129670-42560	22	12
129670-42570	22	14
129670-42580	22	15
129670-42590	22	16
129670-42600	22	23
129670-42610	22	32
129670-44150	25	8
129670-44430	25	10
129670-44450	25	13
129670-44570	25	27
129670-49150	15	3
129670-49280	14	4
129670-49500	14	6
	15	4
	16	3
	26	4
	27	4
129670-55700	31	20
129670-81850	49	5
129671-49120	26	3
129671-92110	58	9

Parts No.	Fig. No.	Ref. No.
129671-92120	58	10
129671-92130	58	11
129672-49050	45	31
129673-44090	25	6
129673-44131	25	7
129675-01620	3	2
129675-21800	24	1
129675-21810	24	2
129675-22000	19	1
129675-42000	23	1
129675-42280	24	3
129675-53100	30	1
129675-77570	45	13
129677-01500	2	1
129677-01550	2	14
129677-07150	6	8
129677-07810	6	10
129677-07850	6	11
129677-09000	8	1
129677-09020	8	1 -1
129677-09130	41	4
	42	4
129677-09340	9	18
129677-09411	8	6
129677-09431	8	7
129677-09461	9	5
129677-09471	9	6
129677-09481	8	8
	9	7
	7	-1
129677-09510	41	5
	42	5
129677-09600	41	6
	42	6
129677-09620	9	8
129677-42310	23	17
129677-49320	28	3
129677-49390	28	4
129677-49950	13	10
	14	7
	15	5
	16	4
	26	5
	27	5
129677-55600	31	8
129677-55610	31	9
129677-55850	32	11
129677-57201	33	5
129677-59011	35	12
129677-59090	35	1

Parts No.	Fig. No.	Ref. No.
129677-59220	31	21
	35	4
129677-59230	35	5
129677-59240	31	11
129677-59270	41	9
	42	9
129677-59300	31	12
129677-59350	31	15
129677-59400	35	16
129677-59820	34	7
129677-59830	34	8
129677-59840	34	9
129677-77030	45	6
129677-77060	45	8
129677-77170	71	1
129677-77250	41	2
	43	6
129677-77280	43	7
129677-77290	43	8
	44	8
129677-77300	40	1
	42	1
	44	1
129677-77310	44	2
	44	9
129677-77330	44	3
129677-77340	44	10
129677-77350	40	2
	42	11
129677-77360	40	3
129677-77370	40	4
129677-77390	40	6
129677-77400	40	7
129677-77410	40	8
129677-77420	40	9
129677-77430	40	10
129677-77440	39	2
129677-77450	42	2
	44	7
129677-77550	45	12
129677-77600	41	3
129677-77610	41	12
	42	13
129677-77620	41	13
	42	14
129677-77630	41	14
	42	15
129677-77640	42	3
129677-77650	41	32
	42	33

Parts No. Index

Parts No.	Fig. No.	Ref. No.
129677-77660	41	35
	42	36
129677-77670	41	34
	42	35
129677-77680	41	37
	42	38
129677-77710	45	32
129677-77761	56	6
129677-77770	36	11
129677-77790	36	15
129677-91101	52	1
129677-91851	56	8
129688-59130	34	2
129693-44300	25	23
129698-77020	37	2
129698-77101	37	3
129698-77120	37	5
129698-77130	37	6
129698-77140	37	7
129698-77150	37	8
129698-77161	37	9
129698-77170	37	10
129698-77180	37	11
129698-77190	37	12
129698-77200	37	13
129698-77210	37	14
129698-77220	37	15
129698-77230	37	16
129698-77240	37	17
129698-77250	37	18
129698-77260	37	19
129698-77270	37	21
129698-77280	37	22
129795-01780	3	10
129795-01950	2	5
129795-02412	1	10
129795-11120	10	24
129795-11180	10	25
129795-21661	18	10
129795-49551	23	12
129900-07900	10	38
129916-49740	23	6
129927-44900	23	8
129927-77910	38	5
	40	12
	41	38
	42	39
129927-77920	38	13
	41	39
	42	40

Parts No.	Fig. No.	Ref. No.
129978-11871	10	30
129A00-01331	1	29
129A00-01560	1	1
129A00-11310	11	12
129A00-11900	10	31
129A00-14100	17	7
129A00-14580	17	3
129A00-14700	17	9
129A00-14710	17	12
129A00-21710	3	13
129A00-22500	19	3
129A00-25050	17	14
129A00-25060	17	22
129A00-25080	17	30
129A00-25110	17	15
129A00-25120	17	23
129A00-25200	17	26
129A00-25210	17	27
129A00-25900	17	19
129A00-32000	20	1
129A00-51000	29	1
129A00-51100	29	2
129A00-51110	29	3
129A00-51120	29	4
129A00-51130	29	5
129A00-51200	29	6
129A00-51900	29	7
129A00-53200	30	2
129A00-55800	31	10
129A00-57000	33	1
129A00-57100	33	2
129A00-57200	33	3
129A00-57210	33	4
129A00-75940	36	25
129A00-77820	10	41
129A23-59500	35	9
129C26-01890	2	11
129C28-51000	29	1 -1
164000-10000	68	1
	69	1
164000-10200	68	21
	69	21
164000-10210	68	20
	69	20
164000-10830	68	2
	69	2
164000-17000	67	1
164000-21212	69	11
164000-21220	68	11
164000-21302	57	1

Parts No.	Fig. No.	Ref. No.
164000-21321	68	3
	69	3
164000-21340	66	20
164000-21350	41	33
		36
	42	34
		37
	67	2
164000-21400	68	10
	69	10
164000-21501	68	4
	69	4
164000-22211	47	1
	68	14
	69	14
164000-22221	47	2
	68	15
	69	15
164000-22231	47	3
	68	16
	69	16
164000-22241	47	4
	68	17
	69	17
164000-22260	68	18
	69	18
164000-22270	68	19
	69	19
164000-24801	67	3
	68	8
	69	8
164000-29000	46	1
	68	13
	69	13
164000-29010	70	5
164000-29020	70	2
164000-29050	70	3
164000-30012	68	5
	69	5
	70	1
164000-37011	68	6
	69	6
	70	4
164000-37021	70	6
164000-37110	70	7
164000-37210	70	8
164000-37310	70	9
164000-37360	66	2
	70	10
		14

Parts No.	Fig. No.	Ref. No.
164000-37410	70	11
164000-37460	70	12
164000-41010	68	12
164000-41030	69	12
164000-44000	68	9
	69	9
164000-51020	66	3
	70	15
164000-51031	66	16
	70	28
164000-51047	66	1
	68	7
	69	7
	70	13
164000-51110	66	17
	70	29
164000-51211	66	18
	70	30
164000-51310	66	19
	70	31
164100-21110	54	2
	55	2
164100-21130	53	2
164100-21200	55	3
164100-30112	54	1
164100-30312	55	1
164100-30411	53	1
164100-31111	53	3
	54	3
	55	4
164100-31150	53	4
	54	4
	55	5
164100-31500	57	2
164100-31900	54	5
	55	6
164100-36100	54	6
	55	7
164100-39100	54	7
164100-39120	53	5
	54	8
	55	8
164100-39131	54	9
	55	9
164100-39150	54	10
164100-39180	53	6
	54	11
	55	10
164100-39190	53	7
	54	12

Parts No. Index

Parts No.	Fig. No.	Ref. No.
164100-39190	55	11
164100-39200	55	12
164100-39230	55	13
164100-53111	54	13
	55	14
164100-53150	54	14
	55	15
164100-53200	55	16
164100-53210	55	17
164100-53250	55	18
164100-53900	54	15
	55	19
164100-53920	55	20
171008-03990	20	34
		38
171051-01921	1	6
177070-03520	49	3
177088-02430	6	3
177090-03500	49	1
194256-04820	32	2
194440-51620	45	1
		2
196420-02790	50	1
196420-09220	51	9
196440-09150	51	2
196440-09160	51	3
196440-09170	51	4
196440-09180	51	5
196440-09200	51	6
196440-09220	51	8
196630-12980	6	6
1A8060-65250	8	5 A
22137-050000	40	15
22137-080000	14	8
	39	4
		5
	41	16
	42	16
22137-100000	40	16
	42	17
22157-080000	38	14
	40	17
22190-080002	2	18
		19
22190-120002	23	9
	31	16
	32	14
22190-140002	21	3
22217-050000	40	18
		19

Parts No.	Fig. No.	Ref. No.
22217-050000	41	17
	42	18
	45	14
22217-080000	41	18
	42	19
	45	15
22217-100000	21	4
22217-180000	17	20
22242-000100	56	5
22252-000260	19	10
22351-030010	18	8
22351-060012	10	33
22414-250150	56	9
22512-070140	17	8
	18	6
22857-500100	11	15
		16
23000-013000	31	17
	35	6
23000-016000	31	22
	35	15
23000-019000	35	7
23000-048000	13	7
23000-060000	13	8
		11
23010-013000	25	28
23061-070300	20	51
	25	20
23080-007000	35	11
23080-015000	20	36
		41
23414-100000	31	18
23414-100014	31	6
23414-120000	41	19
	42	20
23414-140000	4	3
23414-170000	25	18
23857-080000	21	5
23875-010000	20	49
23875-030000	1	40
23887-120002	31	19
23887-140002	4	4
23887-180002	3	4
23894-030002	25	19
24190-070001	31	7
24311-000120	11	17
24311-000320	2	8
	11	18
26013-080142	49	6
26022-050162	56	10

Parts No.	Fig. No.	Ref. No.
26106-060102	17	10
	38	6
26106-060122	35	8
	36	19
		21
	40	20
26106-060162	45	16
26106-060202	23	19
26106-080122	26	6
	36	22
	41	20
	45	17
		18
		19
		20
		33
26106-080142	17	11
26106-080162	2	9
		12
		20
	4	7
	10	39
	13	12
	26	7
	36	23
	40	21
	41	21
	42	21
	45	21
		22
	49	2
		4
	56	11
26106-080182	48	8
26106-080202	20	46
	32	15
	33	6
	38	15
	41	22
		23
	42	22
		23
	48	6
26106-080252	4	8
	10	34
	12	6
	23	15
	24	4
	40	22
	45	23

Parts No.	Fig. No.	Ref. No.
26106-080302	29	8
	32	16
26106-080352	2	21
	3	12
	10	35
	20	20
	22	42
	23	16
26106-080402	2	22
	17	28
	24	5
26106-080452	4	9
	17	18
26106-080502	10	36
26106-080552	23	10
26106-080602	2	23
	41	24
	42	24
26106-080652	39	6
26106-080852	2	24
26106-080902	24	6
26106-081002	25	21
26106-100162	21	6
26106-100202	41	25
	42	25
26106-100222	7	5
26106-100302	7	6
	41	26
	42	26
26106-100452	24	7
26106-101202	39	7
26116-081004	39	8
	41	27
	42	27
26116-101302	40	23
26116-120252	7	7
26116-120302	37	24
26206-100252	3	5
26206-100302	3	6
26216-060202	12	4
26216-080202	45	24
26216-080602	31	23
26306-080002	2	13
26366-060002	8	10
	9	10
		20
	34	10
	36	9
		24
26366-080002	22	43

Parts No. Index

Parts No.	Fig. No.	Ref. No.	
26366-080002	25	22	
	31	24	
	39	9	
	41	28	
	42	28	
	45	25	
	48	7	
	39	10	
26366-100002	39	10	
26450-060162	3	14	
	17	13	
26450-060252	20	14	
26557-040082	38	12	
26703-080002	14	9	
	15	6	
	16	5	
	40	24	
26706-100002	40	24	
26716-050002	40	25	
		26	
	41	29	
	42	29	
	45	26	
	26716-080002	40	27
			28
		42	30
			31
		45	27
	28		
26756-080002	31	25	
	39	11	
	41	30	
		31	
	42	32	
	45	29	
26776-180002	17	21	
26793-080002	51	10	
27241-120000	1	27	
27241-300000	1	11	
27241-400000	10	21	
27310-080001	10	28	
27730-301400	65	1	
29621-200001	40	29	
	45	30	
41710-000410	56	12	
41730-000681	64	2	
729402-23100	19	11	
796450-09200	51	1	
X0146531	22	38	
X0505526	22	39	
X0508129	22	40	
X0529105	22	41	

Parts No.	Fig. No.	Ref. No.
X2114535200	37	20

Parts No.	Fig. No.	Ref. No.
-----------	----------	----------

Parts No.	Fig. No.	Ref. No.
-----------	----------	----------