

OCF50-M00070EN

# Introduction

1.This parts catalog is a first edition of the 3YM30AE Diesel engine.

	Date of issue	Remarks
First edition	June, 2014	No need

2.Standard finish color. Yanmar ecole silver metallic  
Parts No. 977620-40071 4L(Packed in a can)  
Parts No. TOR-94800250 Spray(1 piece)

3.This parts catalog does not contain the technical data needed for maintenance service.

4.The illustrations used in this parts catalog have been simplified for clarity.

5.The contents of this parts catalog are subject to change without notice.

6.Be sure to use only Yanmar genuine parts for repairs.If imitation parts are used, it may cause engine defects.

# Contents

OCF50-M00070

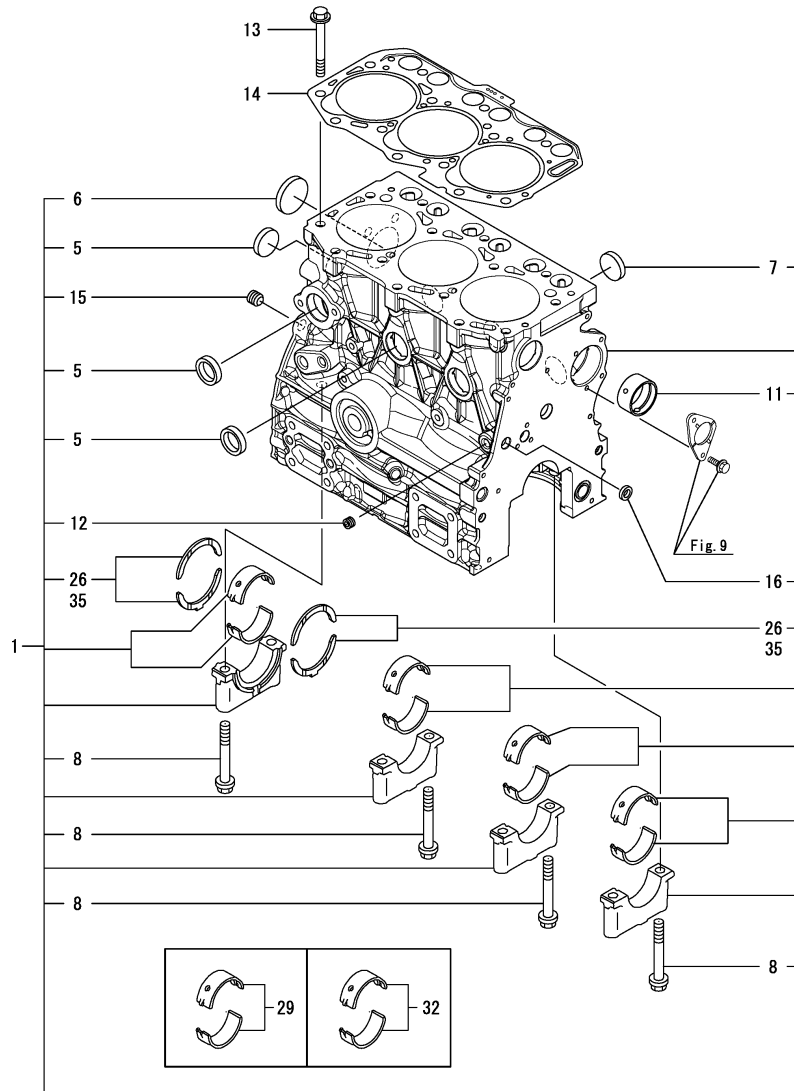
Fig. No.	Fig. Name
3YM30AE	
1.	CYLINDER BLOCK
2.	GEAR HOUSING
3.	FLYWHEEL HOUSING & LUB. OIL SUMP
4.	MOUNTING FOOT
5.	LABEL
6.	CYLINDER HEAD & BONNET
7.	AIR INTAKE SILENCER
8.	MIXING ELBOW
9.	CAMSHAFT & DRIVING GEAR
10.	CRANKSHAFT & PISTON
11.	LUB. OIL DIPSTICK
12.	LUB. OIL SYSTEM
13.	COOLING SEA WATER PUMP
14.	COOLING FRESH WATER PUMP
15.	COOLING FRESH WATER COOLER
16.	COOLING PIPE
17.	BILGE PUMP(OPTIONAL)
18.	FUEL INJECTION PUMP
19.	GOVERNOR
20.	FUEL FEED PUMP
21.	FUEL INJECTION VALVE & FUEL INJECTION PIPE
22.	FUEL PIPE & FUEL STRAINER
23.	FUEL TANK(OPTIONAL)
24.	CABLE SUPPORT

Fig. No.	Fig. Name
25.	CLUTCH
26.	CLUTCH REMOTE CONTROL
27.	PROPELLER NUT
28.	STARTING MOTOR
29.	GENERATOR(VALEO)
30.	V-BELT COVER
31.	WIRE HARNESS & RELAY
32.	SUB-HARNESS & NEUTRAL SWITCH
33.	RELAY
34.	ELECTRIC PARTS
35.	INSTRUMENT PANEL(MEDALLION)

Fig.1. CYLINDER BLOCK

(A)=3YM30AE  
(B)=  
(C)=

(D)=  
(E)=  
(F)=

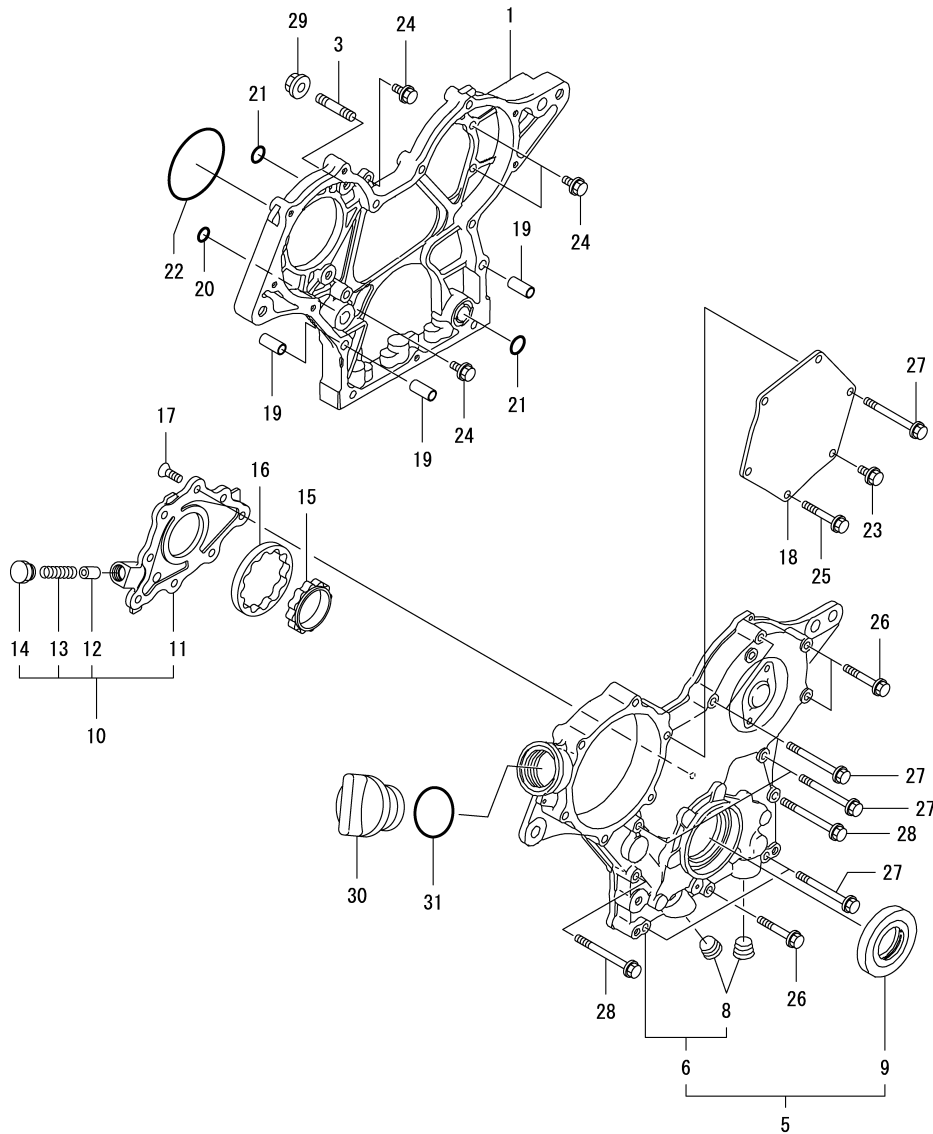


No.	Lev.	Parts No.	Description	Q'ty						I	R
				(A)	(B)	(C)	(D)	(E)	(F)		
1	1	119E00-01560	BLOCK ASSY, CYLINDER	1							
5	2	105311-01090	PLUG, 30	4							
6	2	119623-01250	PLUG, 45	1							
7	2	119285-01990	PLUG, 25	3							
8	2	119620-02020	BOLT, METAL CAP	8							
11	2	119717-02411	BUSH, CAMSHAFT	1							
12	2	124060-01050	PLUG, PT1/8	1							
13	2	119810-01200	BOLT, HEAD	14							
14	2	119E10-01330	GASKET SET, HEAD	1							
15	2	124160-01910	PLUG, PT1/4	1							
16	2	27241-120000	PLUG, 12	1							
26	2	119717-02930	BEARING, THRUST	2							
29	1	719717-02901	BEARING, MAIN	4							1
32	1	719717-02911	BEARING, 0.25 US	4							2
35	1	119810-02941	BEARING, THRUST 0.25	2							3

Remarks

- (1) Spare parts.
- (2) Under-sized (U.S.=0.25) parts.
- (3) Over-sized (O.S.=0.25) parts.

Fig.2. GEAR HOUSING



(A)=3YM30AE  
(B)=  
(C)=

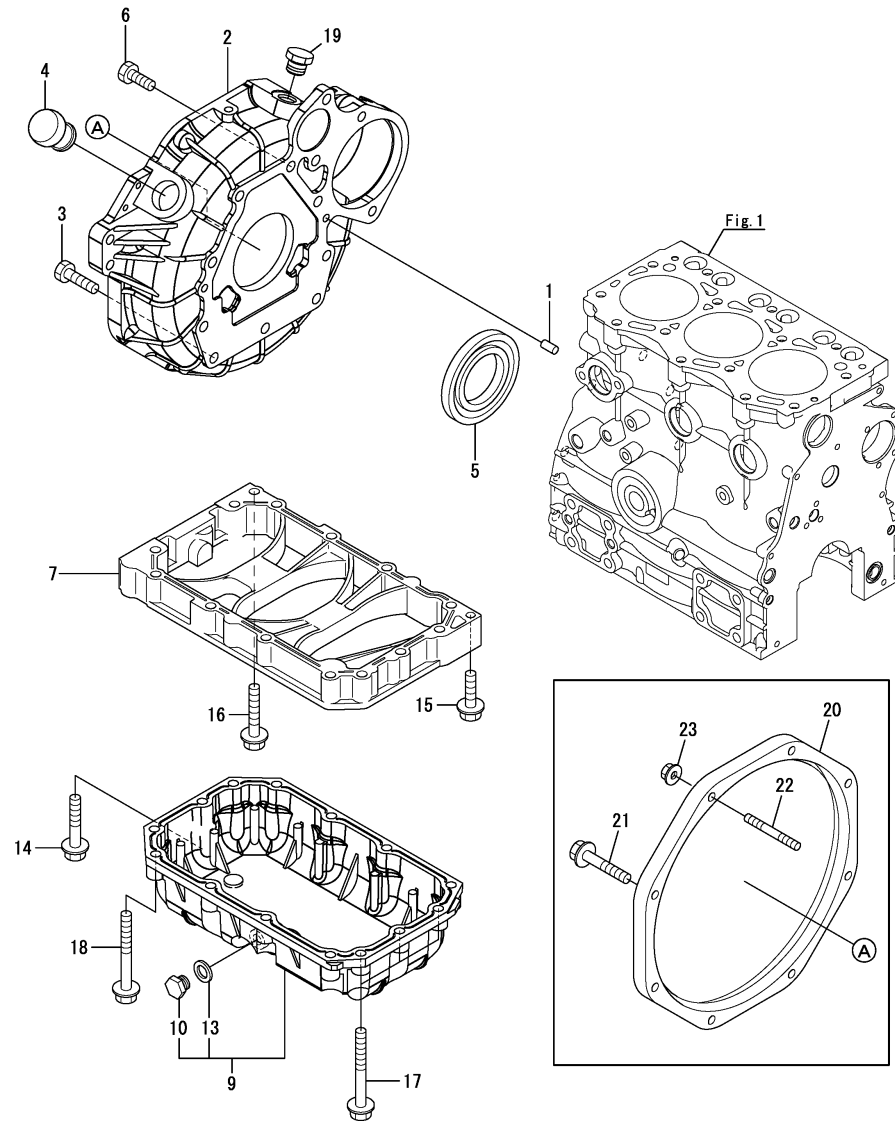
(D)=  
(E)=  
(F)=

No.	Lev.	Parts No.	Description	Q'ty						I	R
				(A)	(B)	(C)	(D)	(E)	(F)		
1	1	119717-01501	CASE, GEAR	1							
3	1	119717-01570	BOLT, STUD		3						
5	1	719734-01500	COVER ASSY,GEAR CASE	1							
6	2	119717-01521	COVER, GEAR CASE	1							
8	3	23876-030000	PLUG, R03		2						
9	2	119717-01800	SEAL, OIL	1							
10	1	119717-32100	COVER ASSY	1							
11	2	119717-32080	COVER, PUMP	1							
12	2	129900-32130	VALVE, RELIEF	1							
13	2	129001-32320	SPRING	1							
14	2	129001-32330	PLUG	1							
15	1	119717-32110	ROTOR, INNER	1							
16	1	119717-32120	ROTOR, OUTER	1							
17	1	119802-32130	SCREW, M6X16		8						
18	1	119717-01750	COVER, PUMP	1							
19	1	119660-01911	PIPE, DOWEL 6X17		4						
20	1	119624-32040	O-RING, P12.0		1						
21	1	119717-32050	O-RING, P17.0		3						
22	1	121850-51960	O-RING	1							
23	1	26106-060122	BOLT, M6X 12 PLATED		1						
24	1	26106-060162	BOLT, M6X 16 PLATED		4						
25	1	26106-060402	BOLT, M6X 40 PLATED		4						
26	1	26106-060402	BOLT, M6X 40 PLATED		3						
27	1	26106-060602	BOLT, M6X 60 PLATED		7						
28	1	26106-060652	BOLT, M6X 65 PLATED		2						
29	1	26306-080002	NUT, M8		3						
30	1	124160-01751	CAP, FILLER		1						
31	1	24311-000320	O-RING, 1AP32.0		1						

Fig.3. FLYWHEEL HOUSING & LUB. OIL SUMP

(A)=3YM30AE  
(B)=  
(C)=

(D)=  
(E)=  
(F)=



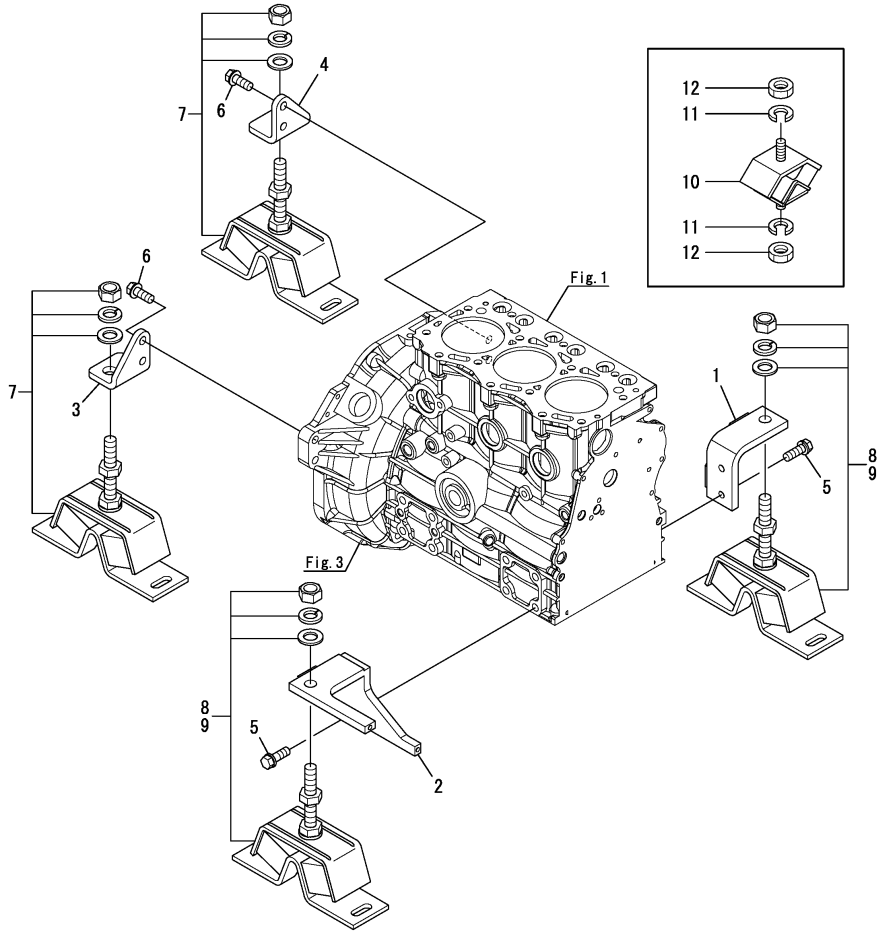
No.	Lev.	Parts No.	Description	Qty						I	R
				(A)	(B)	(C)	(D)	(E)	(F)		
1	1	129100-01580	PIN, 8X16	2							
2	1	128990-01650	HOUSING, FLYWHEEL	1							
3	1	26206-100302	BOLT, M10X 30 PLATED	3							
4	1	119620-01750	CAP	1							
5	1	124085-02220	SEAL, OIL	1							
6	1	26206-100252	BOLT, M10X 25 PLATED	8							
7	1	119717-01720	SPACER, OIL SUMP	1							
9	1	128990-01750	SUMP ASSY, OIL	1							
10	2	121450-42450	PLUG, M16	1							
13	2	22190-160002	WASHER, SEAL 16	1							
14	1	26106-080452	BOLT, M8X 45 PLATED	1							
15	1	26106-080302	BOLT, M8X 30 PLATED	1							
16	1	26106-080452	BOLT, M8X 45 PLATED	1							
17	1	26106-080702	BOLT, M8X 70 PLATED	3							
18	1	26106-080702	BOLT, M8X 70 PLATED	10							
19	1	23887-180002	PLUG, 18	1							
20	1	128990-81150	SPACER, CLUTCH	1							1
21	1	26106-080452	BOLT, M8X 45 PLATED	5							1
22	1	26216-080452	STUD, M8X 45	3							1
23	1	26366-080002	NUT, M8	3							1

Remarks  
(1)For SD20.

Fig.4. MOUNTING FOOT

(A)=3YM30AE  
(B)=  
(C)=

(D)=  
(E)=  
(F)=



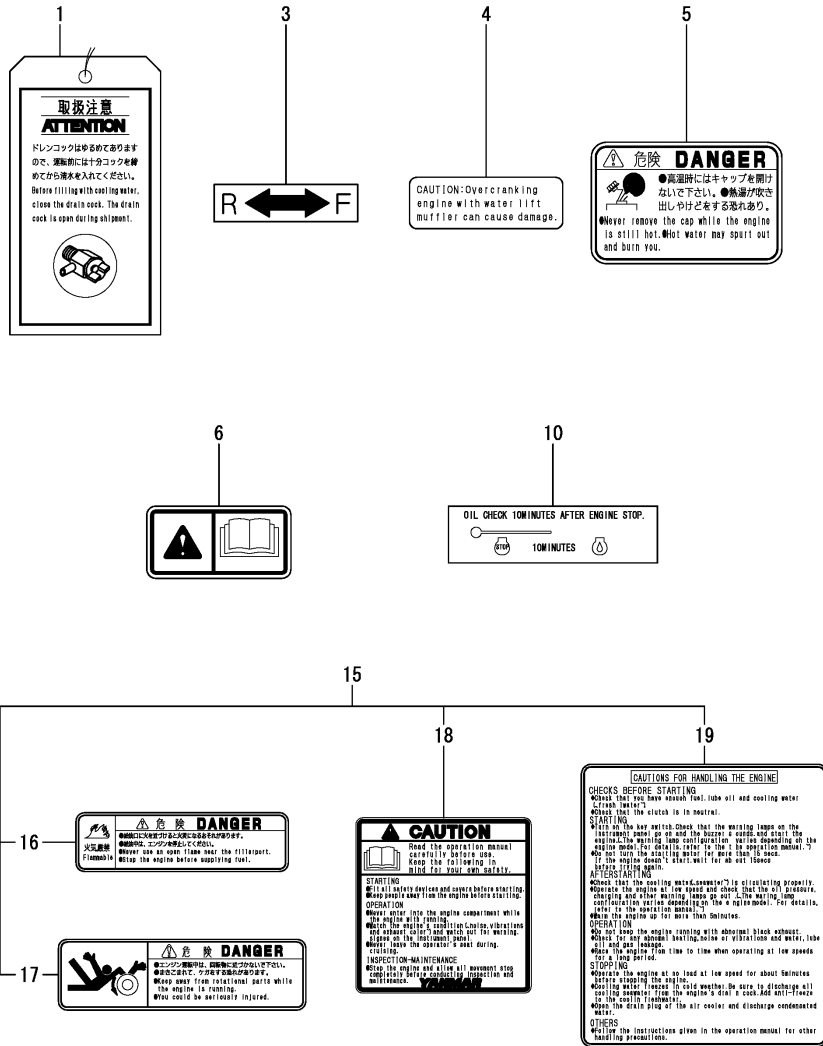
No.	Lev.	Parts No.	Description	Q'ty						I	R
				(A)	(B)	(C)	(D)	(E)	(F)		
1	1	128990-08110	FOOT	1							
2	1	128995-08110	FOOT, ENGINE FRONT	1							
3	1	128377-08120	FOOT	1							
4	1	128377-08130	FOOT	1							
5	1	26013-100302	BOLT, M10X 30	4							
6	1	26106-100252	BOLT, M10X 25 PLATED	4							
7	1	128377-08341	MOUNTING, FLEXIBLE	2							1
8	1	128377-08351	MOUNTING, FLEXIBLE	2							1
9	1	128377-08351	MOUNTING, FLEXIBLE	2							2
10	1	196420-02310	ABSORBER, SHOCK 230	1							2
11	1	22217-120000	WASHER, SPRING 12	2							2
12	1	26716-120002	NUT, M12	2							2

Remarks  
(1)For KM2P-1.  
(2)For SD20.

Fig.5. LABEL

(A)=3YM30AE  
(B)=  
(C)=

(D)=  
(E)=  
(F)=



No.	Lev.	Parts No.	Description	Q'ty						I	R
				(A)	(B)	(C)	(D)	(E)	(F)		
1	1	123682-07852	LABEL, CAUTION	1							
3	1	177088-02430	LABEL	1							
4	1	128377-07150	LABEL, CAUTION	1							
5	1	128990-07270	LABEL, PRESSURE CAP	1							
6	1	196630-12980	LABEL, CAUTION	1							
10	1	128990-34900	LABEL, OIL CHECK	1							
15	1	128296-07190	LABEL, LOOSE PARTS	1							
16	2	128296-07400	LABEL, DANGER	2							
17	2	128296-07420	LABEL, DANGER	1							
18	2	128296-07450	LABEL, DANGER	1							
19	2	128296-07460	LABEL, DANGER	1							



Fig.6. CYLINDER HEAD & BONNET

(A)=3YM30AE

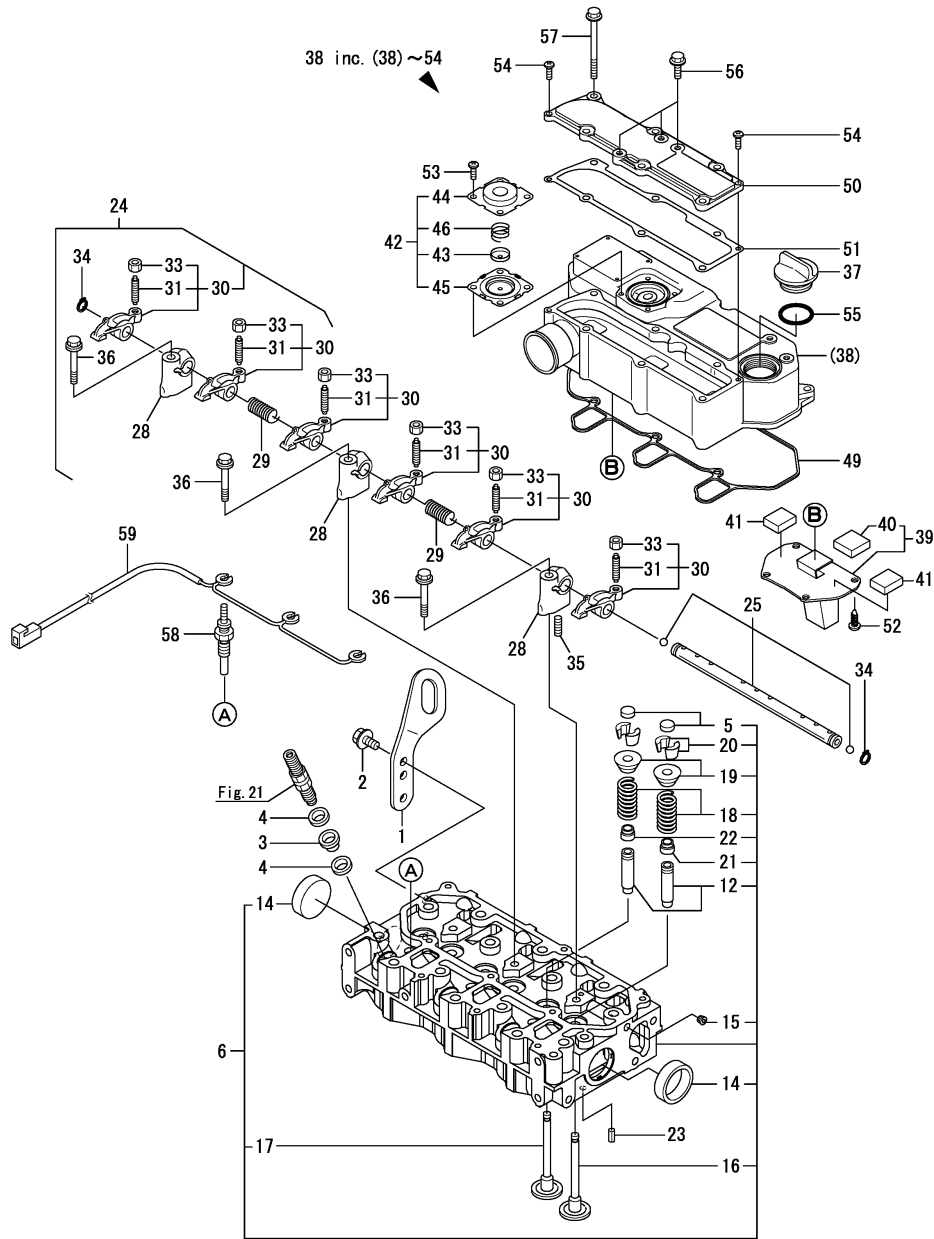
(B)=

(C)=

(D)=

(E)=

(F)=



No.	Lev.	Parts No.	Description	Q'ty						I	R
				(A)	(B)	(C)	(D)	(E)	(F)		
1	1	128990-07910	LIFTER	1							
2	1	26106-080142	BOLT, M8X 14 PLATED	2							
3	1	129901-11450	PROTECTOR, NOZZLE	3							
4	1	119600-11460	GASKET, NOZZLE	6							
5	1	105010-11490	CAP, VALVE	6							
6	1	119E10-11750	HEAD ASSY, CYLINDER	1							
12	2	119717-11800	GUIDE, VALVE	6							1
14	2	119285-11990	PLUG, 35	2							
15	2	23876-005000	PLUG, R005	1							
16	2	119E10-11100	VALVE, SUCTION	3							
17	2	119E10-11110	VALVE, EXHAUST	3							
18	2	119717-11131	SPRING, VALVE	6							
19	2	129508-11180	RETAINER, SPRING	6							
20	2	119717-11190	COTTER	12							
21	2	119717-11340	SEAL, VALVE STEM	3							
22	2	119717-11350	SEAL, VALVE STEM	3							
23	1	22351-060012	PIN, SPRING 6.0X12	2							
24	1	119717-11200	SUPPORT ASSY, ARM	1							
25	2	119717-11240	SHAFT ASSY, ROCKER	1							
28	2	119717-11260	SUPPORT, ROCKER ARM	3							
29	2	119620-11280	SPRING	2							
30	2	119717-11650	ARM, ROCKER	6							
31	3	129150-11230	SCREW, VALVE ADJUST	6							
33	3	129150-11750	NUT, M8	6							
34	2	22242-000120	RING, 12	2							
35	2	26979-050162	SCREW, M5X16	1							
36	1	26106-080402	BOLT, M8X 40 PLATED	3							
37	1	124160-01751	COVER, FILLER	1							
38	1	119717-11381	BONNET ASSY, HEAD	1							
39	2	119717-03031	PLATE	1							
40	3	119717-03070	BAFFLE, BREATHER	1							
41	2	119717-03070	BAFFLE, BREATHER	2							
42	2	119802-03100	DIAPHRAGM ASSY	1							
43	3	119802-03110	PLATE	1							
44	3	119802-03121	COVER, DIAPHRAGM	1							
45	3	119802-03131	DIAPHRAGM	1							
46	3	119802-03141	SPRING, DIAPHRAGM	1							
49	2	119718-11310	GASKET, BONNET	1							
50	2	119717-11320	COVER, BONNET	1							
51	2	119717-11331	GASKET	1							
52	2	22857-500100	SCREW, 5X10	4							
53	2	22857-500100	SCREW, 5X10	4							
54	2	22857-500160	SCREW, 5X16	2							
55	1	24311-000320	O-RING, 1AP32.0	1							
56	1	26106-060202	BOLT, M6X 20 PLATED	3							
57	1	26106-060752	BOLT, M6X 75 PLATED	6							
58	1	119717-77801	PLUG, GLOW	3							
59	1	128990-77820	CONNECTOR, GLOW PLUG	1							

Remarks

(1) Spare parts.

Fig.7. AIR INTAKE SILENCER

(A)=3YM30AE  
(B)=  
(C)=

(D)=  
(E)=  
(F)=

No.	Lev.	Parts No.	Description	Q'ty						I	R
				(A)	(B)	(C)	(D)	(E)	(F)		
1	1	128990-12210	JOINT	1							
2	1	128990-12500	SILENCER ASSY	1							
5	2	128270-12540	ELEMENT	1							
6	1	23000-060000	CLAMP, 60	2							
7	1	26106-080122	BOLT, M8X 12 PLATED	2							

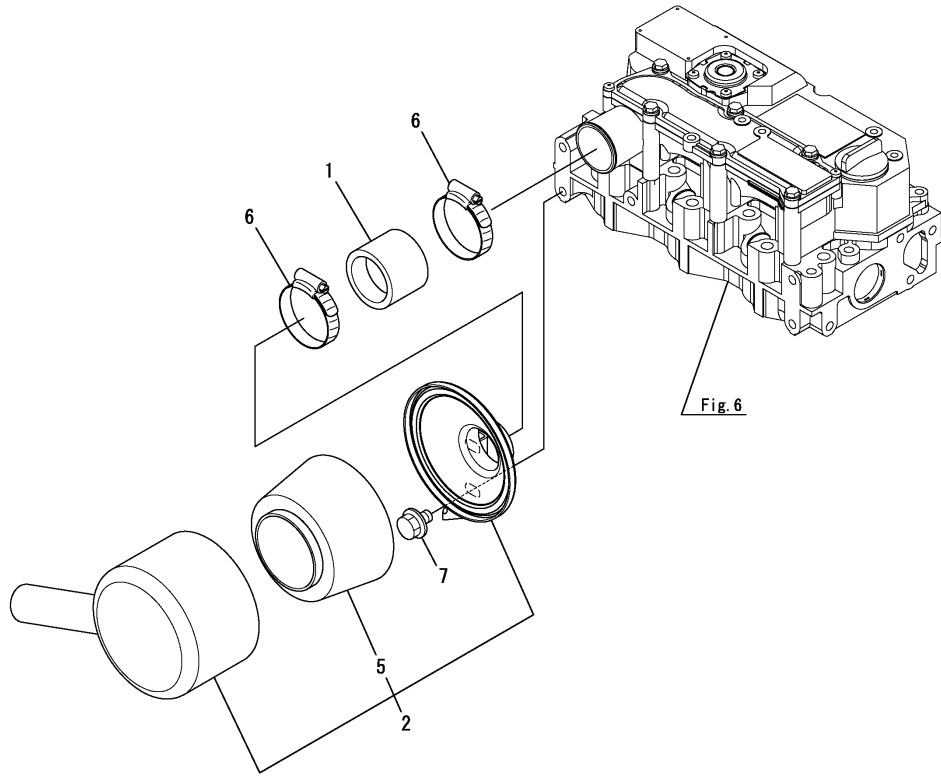


Fig.8. MIXING ELBOW

(A)=3YM30AE  
(B)=  
(C)=

(D)=  
(E)=  
(F)=

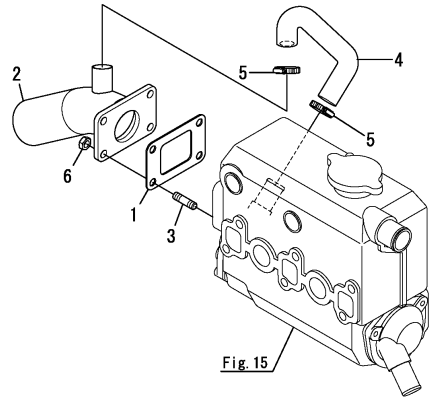


Fig. 15

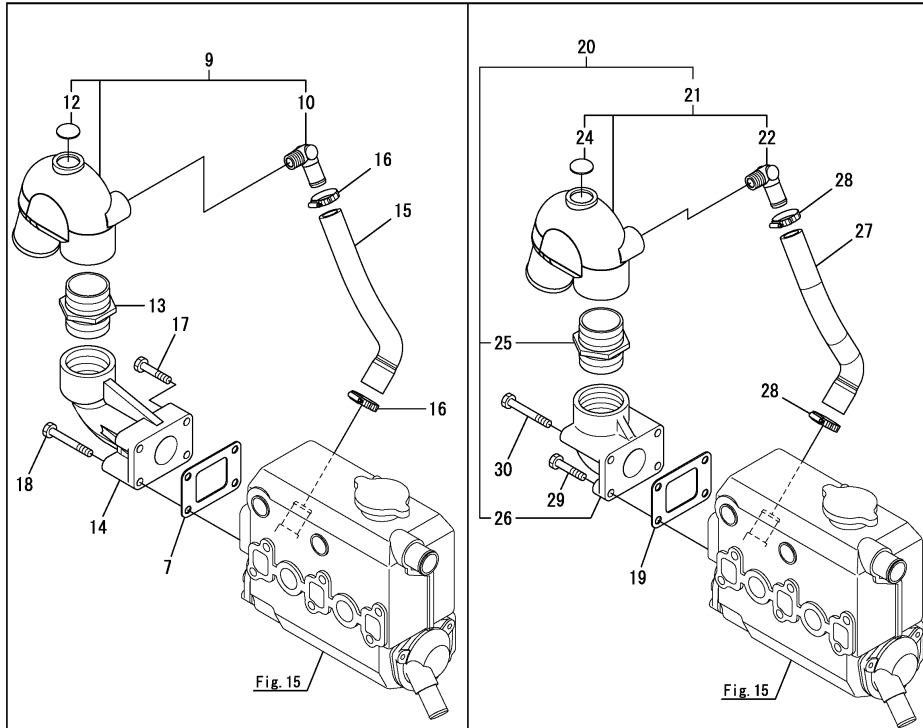


Fig. 15

Fig. 15

No.	Lev.	Parts No.	Description	Q'ty						I	R
				(A)	(B)	(C)	(D)	(E)	(F)		
1	1	128370-13201	GASKET	1							
2	1	128890-13530	ELBOW	1							
3	1	129670-13600	STUD	4							
4	1	128990-49021	PIPE, WATER	1							
5	1	23000-028000	CLAMP, 28	2							
6	1	26703-080002	NUT, M8	4							
7	1	128370-13201	GASKET	1							1
9	1	124070-13520	ELBOW	1							1
10	2	124070-13300	ELBOW, PT3/8	1							1
12	2	27233-250000	PLUG, 25	1							1
13	1	104214-13580	JOINT	1							1
14	1	128370-13610	ELBOW	1							1
15	1	128990-49040	PIPE, WATER	1							1
16	1	23000-028000	CLAMP, 28	2							1
17	1	26203-080402	BOLT, M8X 40 PLATED	2							1
18	1	26203-080602	BOLT, M8X 60 PLATED	2							1
19	1	128370-13201	GASKET	1							2
20	1	128990-13510	ELBOW ASSY	1							2
21	2	128990-13520	ELBOW ASSY	1							2
22	3	124070-13300	ELBOW, PT3/8	1							2
24	3	27233-250000	PLUG, 25	1							2
25	2	104214-13580	JOINT	1							2
26	2	128990-13610	BEND, EXHAUST	1							2
27	1	128990-49090	PIPE, WATER	1							2
28	1	23000-025000	CLAMP, 25	2							2
29	1	26203-080302	BOLT, M8X 30 PLATED	2							2
30	1	26203-080802	BOLT, M8X 80 PLATED	2							2

Remarks

- (1)Optional parts : Mixing elbow U-type specification.
- (2)Optional parts : Mixing elbow U-type short bend specification.

Fig.9. CAMSHAFT & DRIVING GEAR

(A)=3YM30AE  
(B)=  
(C)=

(D)=  
(E)=  
(F)=

No.	Lev.	Parts No.	Description	Q'ty						I	R
				(A)	(B)	(C)	(D)	(E)	(F)		
1	1	119620-14200	TAPPET	6							
2	1	119717-14400	ROD, PUSH	6							
3	1	119717-14581	CAMSHAFT ASSY	1							
9	1	26106-060122	BOLT, M6X 12 PLATED	2							
10	1	119717-25050	SHAFT, IDLE	1							
11	1	119717-25101	GEAR ASSY, IDLE	1							
14	1	26106-060352	BOLT, M6X 35 PLATED	3							
15	1	129150-25301	BOLT	4							
16	1	119717-25930	GEAR, PUMP	1							

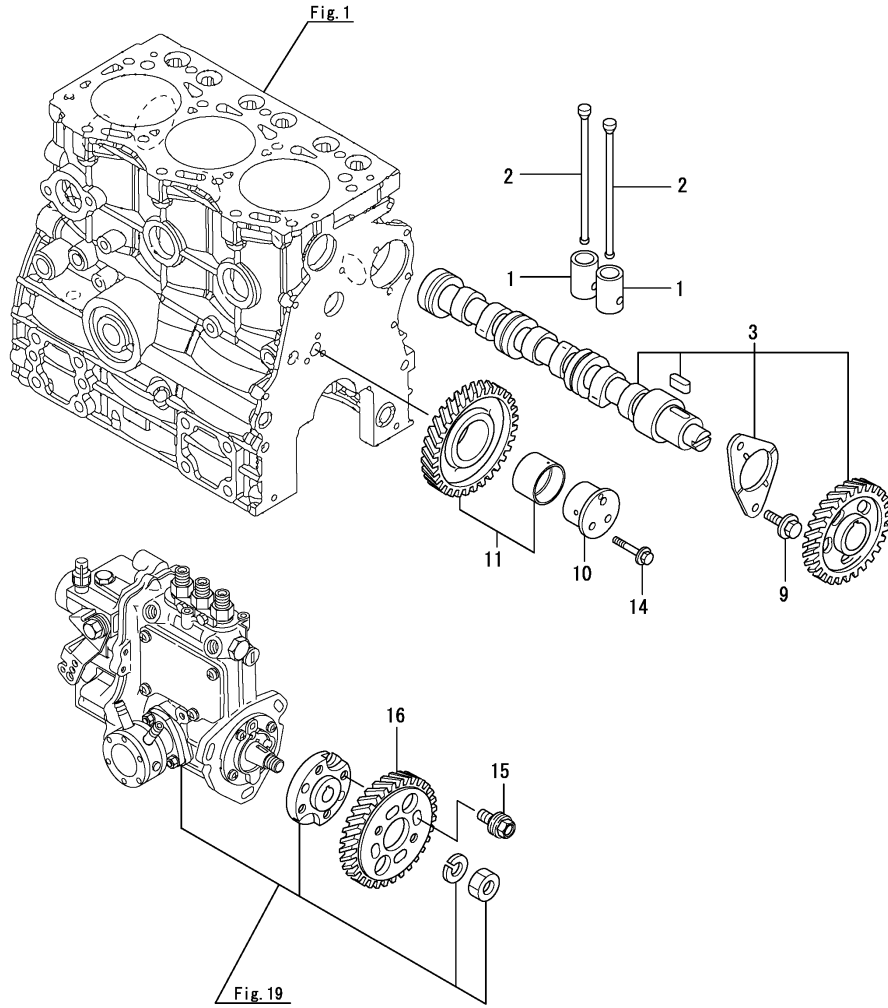
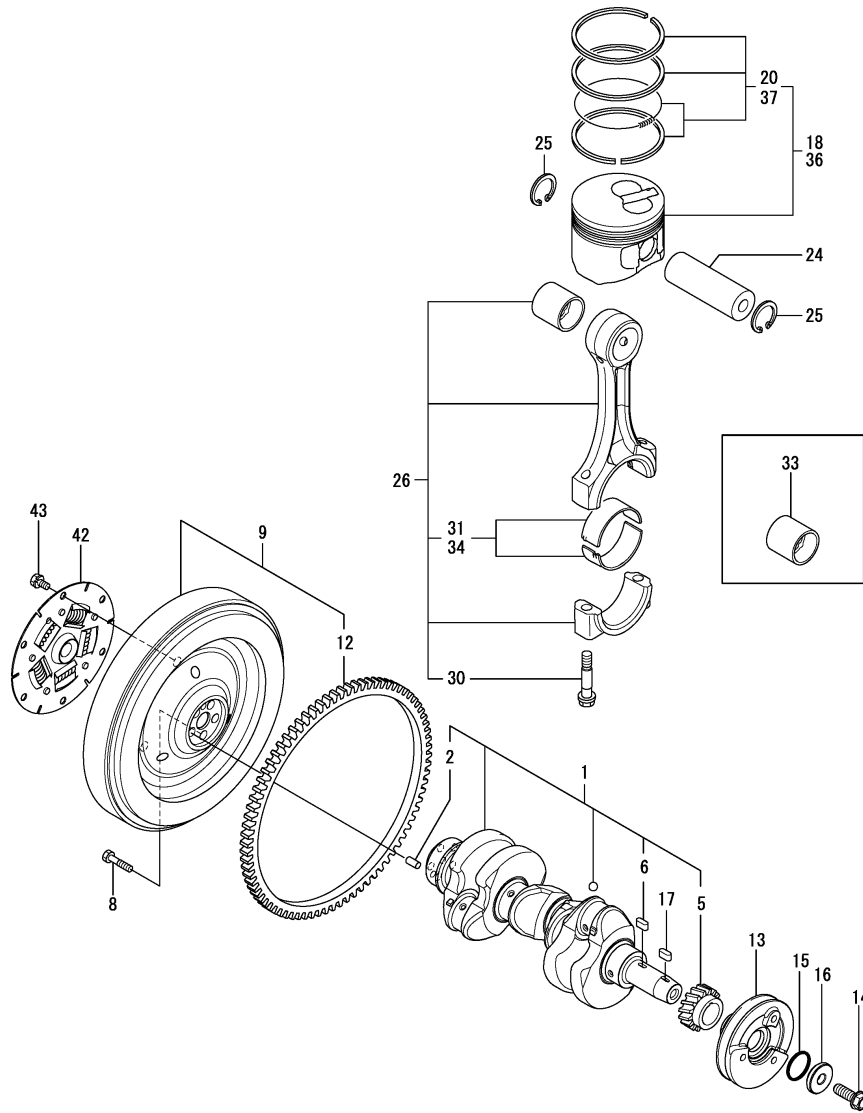


Fig.10. CRANKSHAFT & PISTON



(A)=3YM30AE  
(B)=  
(C)=

(D)=  
(E)=  
(F)=

No.	Lev.	Parts No.	Description	Q'ty						I	R
				(A)	(B)	(C)	(D)	(E)	(F)		
1	1	119E10-21700	CRANKSHAFT ASSY	1							
2	2	129100-01580	PIN, 8X16	1							
5	2	119717-21200	GEAR, CRANKSHAFT	1							
6	2	22512-040120	KEY, 4X 12	1							
8	1	121111-21501	BOLT, FLYWHEEL	5							
9	1	128995-21590	FLYWHEEL ASSY	1							
12	2	124950-21600	GEAR, RING	1							
13	1	128995-21660	PULLEY,CRANK	1							
14	1	119621-21681	BOLT, FLANGE 12X1.25	1							
15	1	119C10-21930	PACKING, WASHER	1							
16	1	119C10-21940	WASHER, V-PULLEY	1							
17	1	22512-040120	KEY, 4X 12	1							
18	1	119E10-22080	PISTON ASSY	3							
20	2	119E10-22500	RING ASSY	3							
24	1	119E10-22300	PIN, PISTON	3							
25	1	22252-000220	RING, 22	6							
26	1	119E10-23000	ROD ASSY, CONNECTING	3							
30	2	119717-23200	BOLT, CONNECTING ROD	6							
31	2	119717-23601	BEARING, CRANK PIN	3							
33	1	119717-23910	BEARING, PISTON PIN	3							1
34	1	119717-23611	METAL ASSY, 0.25	3							2
36	1	119E10-22900	PISTON ASSY, 0.25 OS	3							3
37	2	119E10-22550	RING ASSY, 0.25	3							3
42	1	177070-03501	DISK, DAMPER D170	1							
43	1	26013-080142	BOLT, M8X 14	6							

Remarks

- (1) Spare parts.
- (2) Over-sized (O.S.=0.25) parts.
- (2) Under-sized (U.S.=0.25) parts.

Fig.11. LUB. OIL DIPSTICK

(A)=3YM30AE  
(B)=  
(C)=

(D)=  
(E)=  
(F)=

No.	Lev.	Parts No.	Description	Q'ty						I	R
				(A)	(B)	(C)	(D)	(E)	(F)		
1	1	128990-34850	DIPSTICK, OIL	1							
2	1	128990-34860	GUIDE ASSY, DIPSTICK	1							
4	1	22190-160002	WASHER, SEAL 16	2							
5	1	23857-100000	BOLT, JOINT 10	1							
6	1	26366-100002	NUT, M10	1							
7	1	124976-34850	CAP	1							

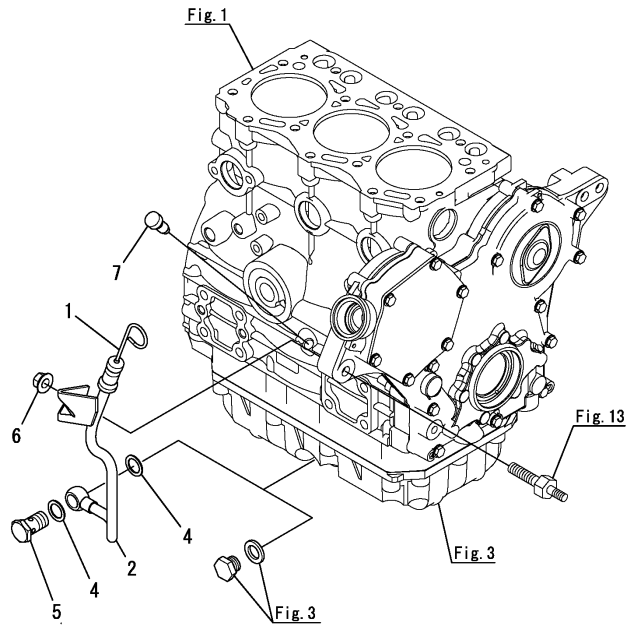
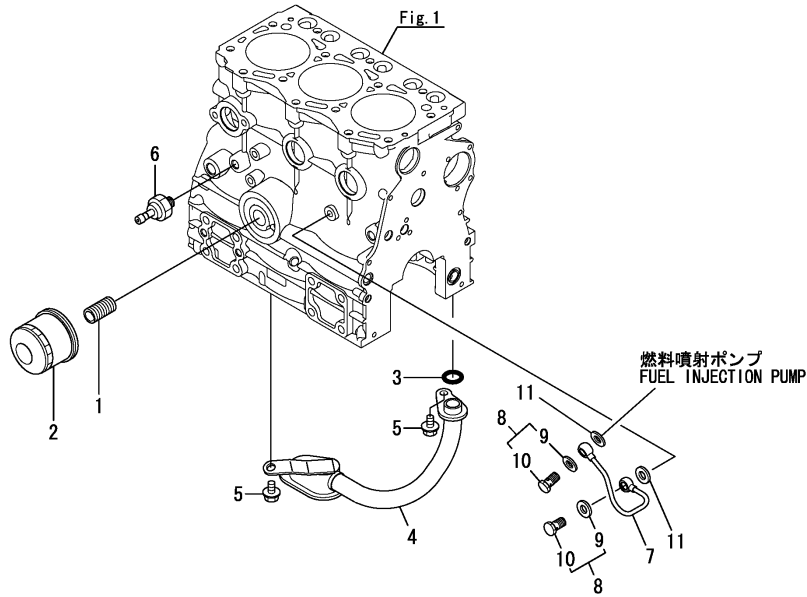


Fig.12. LUB. OIL SYSTEM

(A)=3YM30AE  
(B)=  
(C)=

(D)=  
(E)=  
(F)=



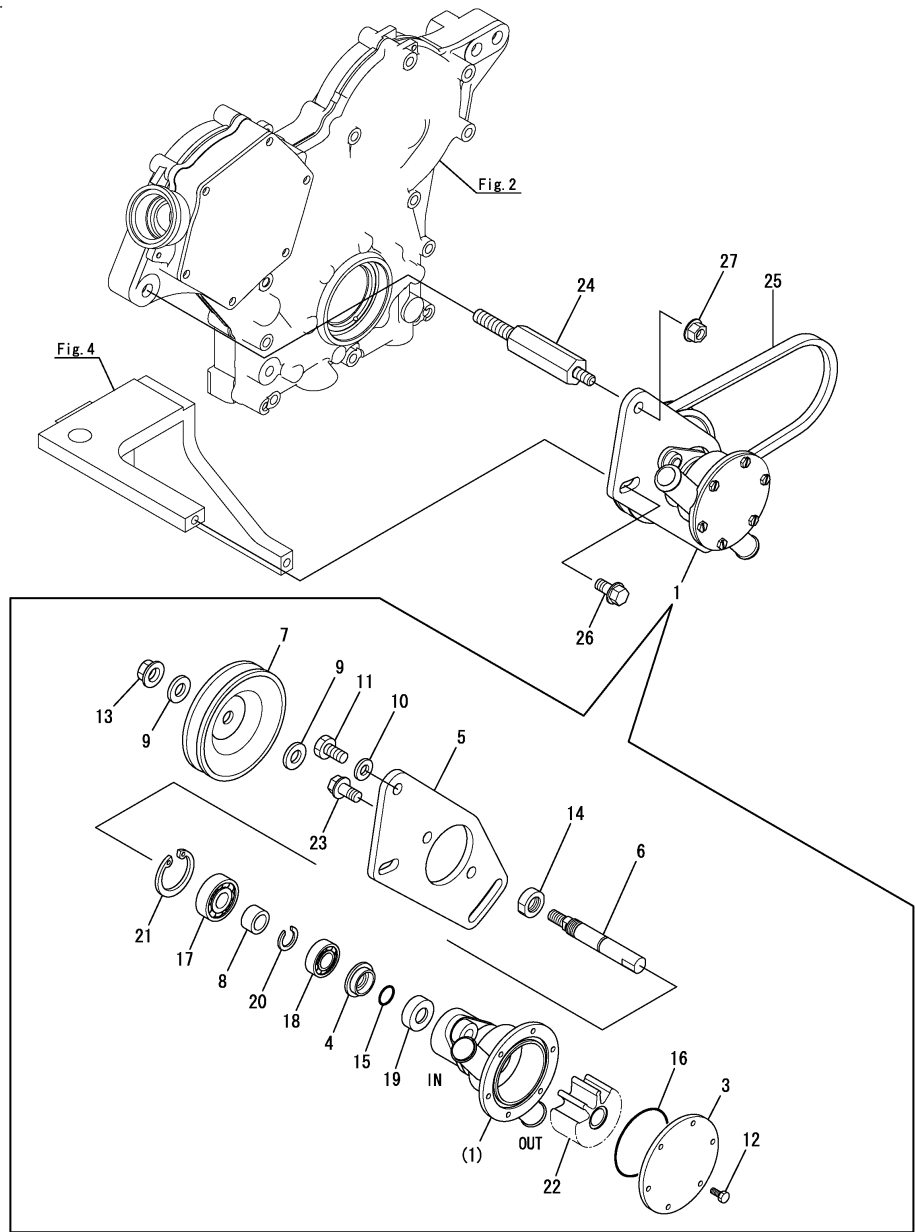
No.	Lev.	Parts No.	Description	Q'ty						I	R
				(A)	(B)	(C)	(D)	(E)	(F)		
1	1	119717-35140	BOLT	1							
2	1	119305-35160	FILTER ASSY, D68XL65	1							
3	1	119717-32060	O-RING, P15.0	1							
4	1	128990-35080	PIPE ASSY, OIL INLET	1							
5	1	26106-060102	BOLT, M6X 10 PLATED	2							
6	1	114250-39450	SWITCH, 0.5KG	1							
7	1	119717-39210	PIPE, OIL	1							
8	1	129005-59830	BOLT ASSY, JOINT M8	2							
9	2	22190-080002	WASHER, SEAL 8	2							
10	2	23857-030000	BOLT, JOINT 3	2							
11	1	22190-080002	WASHER, SEAL 8	2							

Fig.13. COOLING SEA WATER PUMP

(A)=3YM30AE  
(B)=  
(C)=

(D)=  
(E)=  
(F)=

No.	Lev.	Parts No.	Description	Q'ty						I	R
				(A)	(B)	(C)	(D)	(E)	(F)		
1	1	128995-42500	PUMP ASSY, CSW	1							
3	2	X0142398	COVER	1							
4	2	X0145050	PLATE	1							
5	2	128995-42150	BRACKET, PUMP	1							
6	2	X0146541	SHAFT	1							
7	2	124070-42400	V-PULLEY	1							
8	2	X0146542	SPACER	1							
9	2	X014678901	WASHER	2							
10	2	X00353309	WASHER	2							
11	2	X00141916	SCREW	2							
12	2	128990-42520	SCREW	6							
13	2	X00190050	NUT, LOCK	1							
14	2	X00183200	NUT	1							
15	2	X02173432	O-RING	1							
16	2	X02173476	O-RING	1							
17	2	X03431760	BEARING, BALL	1							
18	2	X03431748	BEARING, BALL	1							
19	2	X02233010	SEAL, LIP	1							
20	2	X00370012	RING, RETAINING	1							
21	2	X00371732	RING, RETAINING	1							
22	2	128990-42200	IMPELLER, D=50.8	1							
23	2	26106-080162	BOLT, M8X 16 PLATED	2							
24	1	128995-42170	BOLT,CSWP SPACER	1							
25	1	25111-002100	V-BELT, M21	1							
26	1	26106-080162	BOLT, M8X 16 PLATED	1							
27	1	26366-080002	NUT, M8	1							

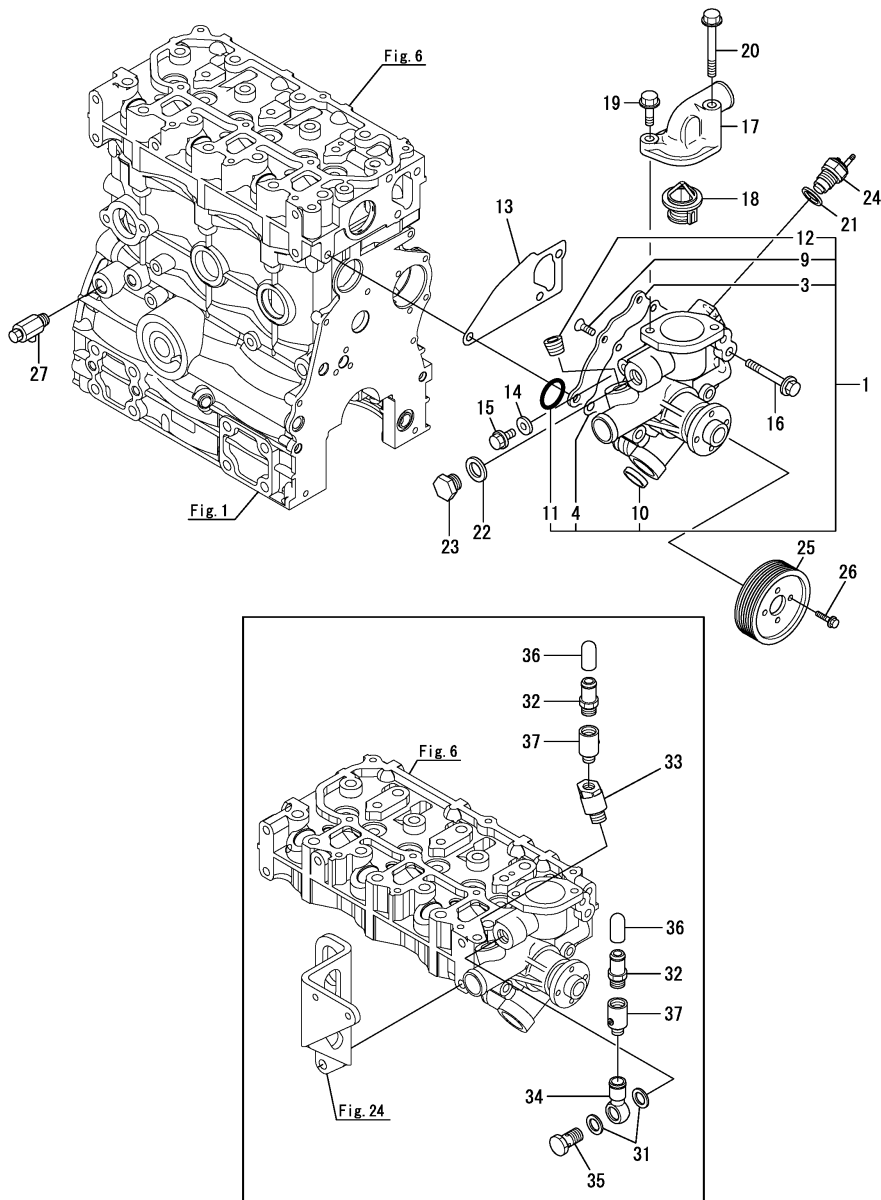


Remarks

- (1)Interchangeable by simultaneous replacement with No.5-1 & 26-1.
- (2)Interchangeable by simultaneous replacement with loalarrangements Pump entrance hose(57mm-68mm).



Fig.14. COOLING FRESH WATER PUMP



(A)=3YM30AE  
(B)=  
(C)=

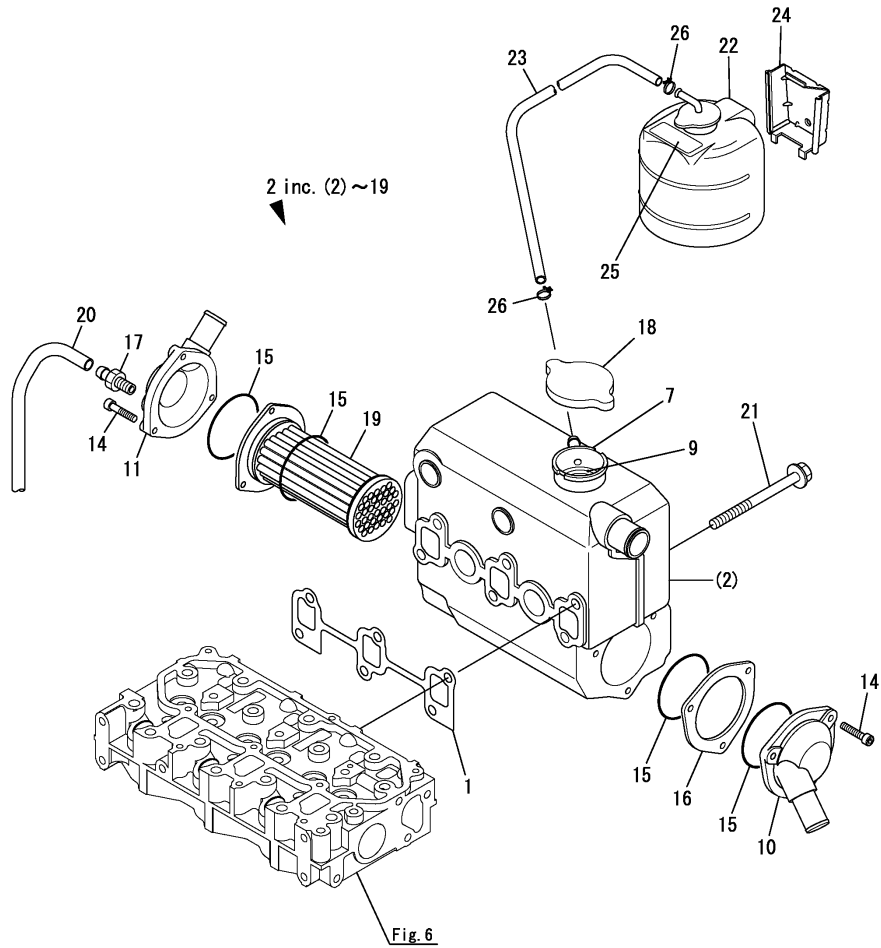
(D)=  
(E)=  
(F)=

No.	Lev.	Parts No.	Description	Q'ty						I	R
				(A)	(B)	(C)	(D)	(E)	(F)		
1	1	119E10-42000	PUMP ASSY, WATER	1							
3	2	119717-42041	COVER	1							
4	2	119717-42031	GASKET	1							
9	2	26577-060122	SCREW, M6X12	4							
10	2	27241-250000	PLUG, 25	1							
11	2	119C10-42320	O-RING, 2028	1							
12	2	129916-49740	PLUG, R03	1							
13	1	119717-42020	GASKET, WATER PUMP	1							
14	1	23414-080000	GASKET, 8X1.0	1							
15	1	26106-080122	BOLT, M8X 12 PLATED	1							
16	1	26106-080502	BOLT, M8X 50 PLATED	3							
17	1	124101-49530	COVER, THERMOSTAT	1							
18	1	128990-49800	THERMOSTAT, 71	1							
19	1	26106-080252	BOLT, M8X 25 PLATED	1							
20	1	26106-080652	BOLT, M8X 65 PLATED	1							
21	1	124465-44950	GASKET, 16	1							
22	1	124465-44950	GASKET, 16	1							
23	1	121450-42450	PLUG, M16	1							
24	1	128990-44500	SWITCH, 106	1							
25	1	128990-42350	PULLEY,CW PUMP 6PK	1							
26	1	26106-060122	BOLT, M6X 12 PLATED	4							
27	1	119620-49290	COCK ASSY, 1/4	1							
31	1	124465-44950	GASKET, 16	2							1
32	1	128990-49320	JOINT, 3/8	2							1
33	1	128990-49350	JOINT, 3/8X1/4	1							1
34	1	128990-49360	JOINT	1							1
35	1	128990-49370	BOLT, PIPE JOINT	1							1
36	1	128990-49400	CAP,WATER	2							1
37	1	128990-49390	COCK ASSY,R1/4XRP3/8	2							1

Remarks

(1)Optional parts : Heater kit, with cook assy.

Fig.15. COOLING FRESH WATER COOLER



(A)=3YM30AE  
(B)=  
(C)=

(D)=  
(E)=  
(F)=

No.	Lev.	Parts No.	Description	Q'ty						I	R
				(A)	(B)	(C)	(D)	(E)	(F)		
1	1	119717-13110	GASKET	1							
2	1	128990-44901	COOLER ASSY, WATER	1							
7	3	129673-44110	FILLER	1							
9	3	129673-44150	TUBE, D28.5X1.5 LG6	1							
10	2	128990-44071	BONNET	1							
11	2	128990-44081	BONNET ASSY	1							
14	2	128990-44090	SCREW, M6X30	6							
15	2	128990-44100	O-RING, D65.6X3.53	4							
16	2	128990-44110	SPACER	1							
17	2	128990-44120	PLUG, DRAIN	1							
18	2	129673-44131	CAP	1							
19	2	128990-44401	ELEMENT	1							
20	1	23061-070300	PIPE, 7X 300	1							
21	1	26106-081152	BOLT, M8X115 PLATED	6							
22	1	128397-44500	TANK ASSY, SUB	1							
23	1	129270-44501	PIPE	1							
24	1	128397-44510	BRACKET	1							
25	1	129670-44570	LABEL, SUB-TANK	1							
26	1	23010-013000	CLAMP 13	2							



Fig.17. BILGE PUMP(OPTIONAL)

(A)=3YM30AE  
(B)=  
(C)=

(D)=  
(E)=  
(F)=

No.	Lev.	Parts No.	Description	Q'ty						I	R
				(A)	(B)	(C)	(D)	(E)	(F)		
1	1	977780-01211	PUMP ASSY, BILGE	1							
2	2	X0318101004	MOTOR ASSY, BILGE	1							
3	2	X158606410X	SWITH	1							
4	3	X8636015001	FUSE	1							
5	2	X179100022X	STRAINER	1							
6	2	X179100100X	PIPE ASSY	1							
7	2	X0044021509	HOSE A	1							
8	2	X199906101X	SCREW SET	1							
9	2	977780-03000	INPELLER	1							

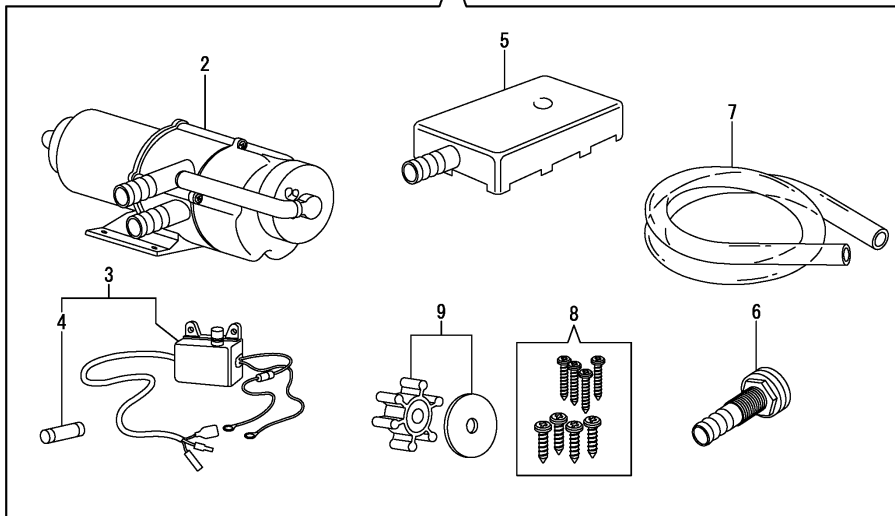
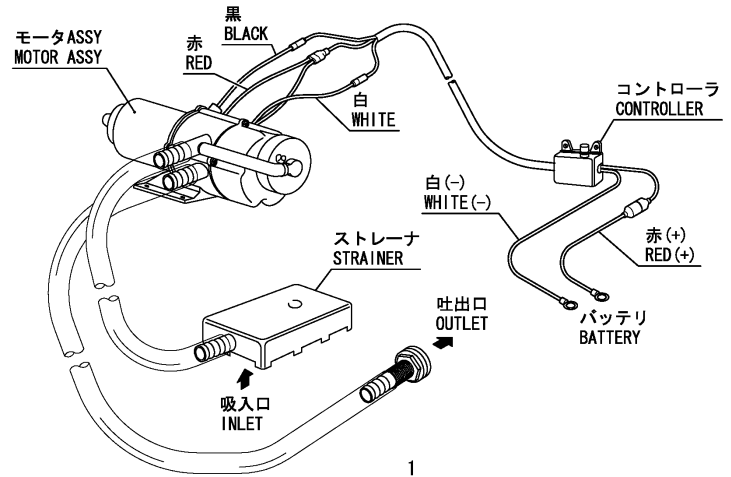
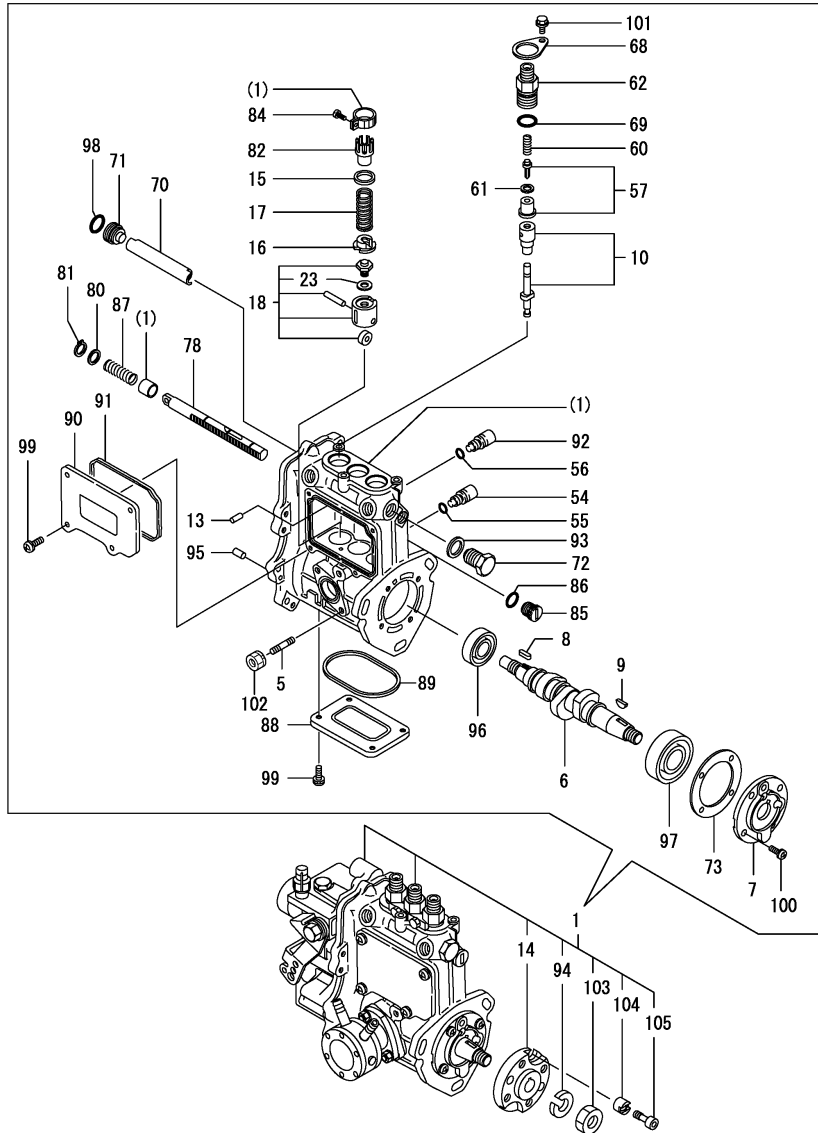


Fig.18. FUEL INJECTION PUMP

(A)=3YM30AE  
(B)=  
(C)=

(D)=  
(E)=  
(F)=



No.	Lev.	Parts No.	Description	Q'ty						I	R
				(A)	(B)	(C)	(D)	(E)	(F)		
1	1	728995-51300	FIE ASSY	1							1
5	2	129155-51020	STUD	2							
6	2	119C00-51030	SHAFT, CAM	1							
7	2	119717-51060	SUPPORT, CAMSHAFT	1							
8	2	119717-51070	KEY	1							
9	2	122710-51090	KEY	1							
10	2	119740-51100	PLUNGER ASSY	3							
13	2	129155-51140	PIN	3							
14	2	119717-51150	FLANGE	1							
15	2	158600-51170	RETAINER, SPRING	3							
16	2	119717-51570	RETAINER, SPRING	3							
17	2	119717-51190	SPRING, PLUNGER	3							
18	2	119717-51200	TAPPET ASSY	3							
23	3	129155-51600	SHIM SET, ADJUSTING	3							
54	2	158600-51270	STOPPER, TAPPET	3							
55	2	129155-51280	O-RING, S6	3							
56	2	129155-51280	O-RING, S6	1							
57	2	119717-51300	VALVE ASSY, DELIVERY	3							
60	2	119717-51330	SPRING, DELIVERY	3							
61	2	124550-51350	GASKET, DELIVERY	3							
62	2	158600-51442	VALVE ASSY, DELIVERY	3							
68	2	119125-51370	RETAINER	3							
69	2	24316-000150	O-RING, 4DP15.0	3							
70	2	129155-51400	DEFLECTOR	1							
71	2	158600-51410	PLUG, DEFLECTOR	1							
72	2	158600-51420	PLUG, DEFLECTOR	1							
73	2	129155-51450	SHIM SET, ADJUSTING	1							
78	2	119717-51500	RACK, CONTROL	1							
80	2	129155-51530	SPACER	1							
81	2	129155-51540	CIRCLIP	1							
82	2	129155-51550	PINION, CONTROL	3							
84	2	129100-51570	SCREW	3							
85	2	158600-51570	PLUG	1							
86	2	129155-51580	O-RING	1							
87	2	129155-51591	SPRING, RACK	1							
88	2	129155-51701	COVER	1							
89	2	119717-51711	GASKET	1							
90	2	119717-51750	COVER	1							
91	2	119717-51761	GASKET	1							
92	2	158600-51790	STOOPER, RACK	1							
93	2	22190-160002	WASHER, SEAL 16	1							
94	2	22217-120000	WASHER, SPRING 12	1							
95	2	22351-050010	PIN, SPRING 5.0X10	2							
96	2	24101-060034	BEARING, BALL 6003	1							
97	2	24101-063034	BEARING, BALL 6303	1							
98	2	119717-51420	O-RING	1							
99	2	26022-050122	SCREW, M5X12	8							
100	2	119125-51900	BOLT, 6 X 14	4							
101	2	26106-050102	BOLT, M5X 10 PLATED	3							
102	2	119717-51860	NUT, M6	2							
103	2	26716-120002	NUT, M12	1							

Remarks

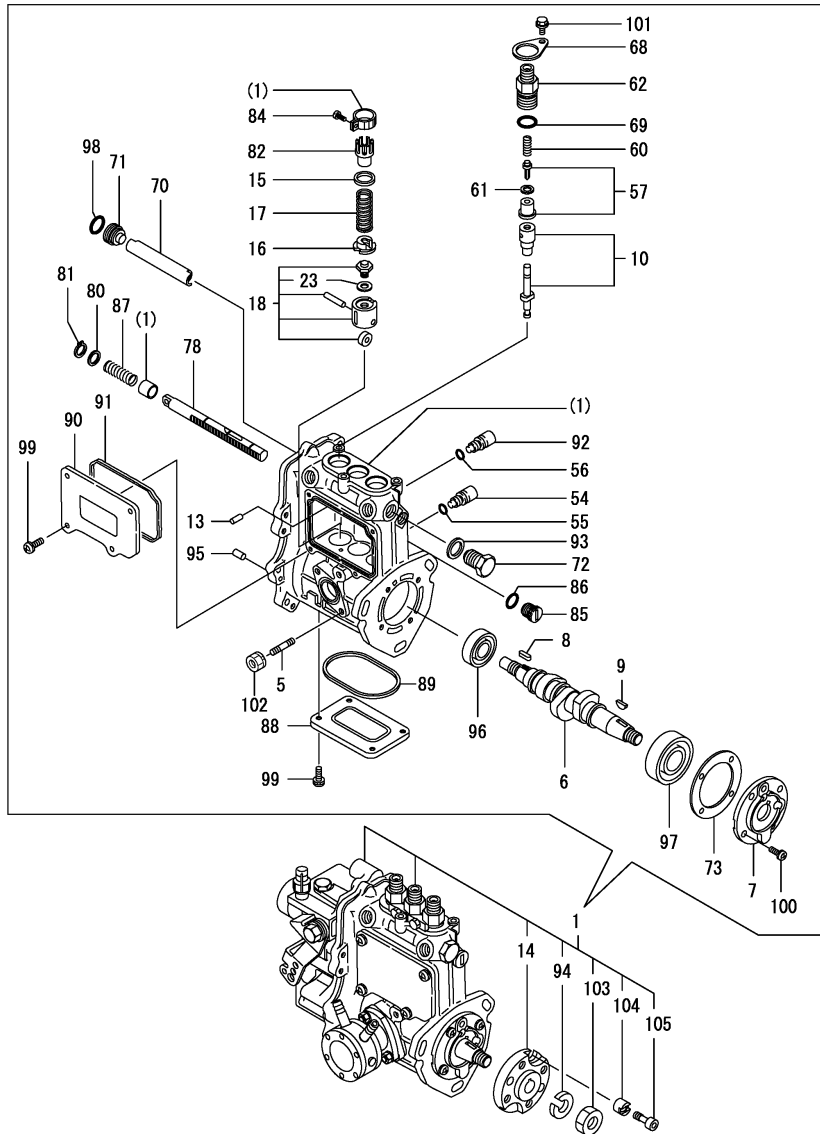
(1)Governor(Fig.19) & Fuel Feed Pump(Fig.20) is incorporated in this Fuel Injection Pump(No.1).

Fig.18. FUEL INJECTION PUMP

(A)=3YM30AE  
(B)=  
(C)=

(D)=  
(E)=  
(F)=

No.	Lev.	Parts No.	Description	Q'ty						I	R
				(A)	(B)	(C)	(D)	(E)	(F)		
104	2	119717-51481	COLLAR, FIC FIX	1							
105	2	119717-51491	BOLT, FIXATION	1							



Remarks

(1)Governor(Fig.19) & Fuel Feed Pump(Fig.20) is incorporated in this Fuel Injection Pump(No.1).

Fig.19. GOVERNOR

(A)=3YM30AE

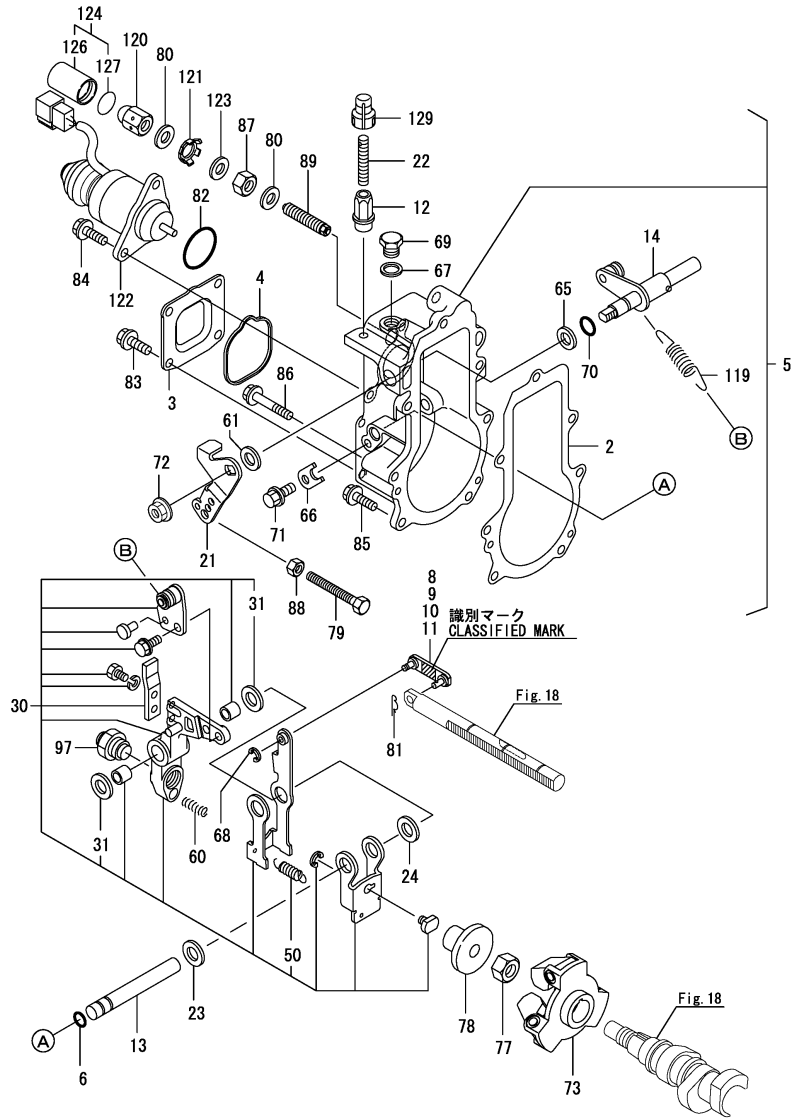
(B)=

(C)=

(D)=

(E)=

(F)=



No.	Lev.	Parts No.	Description	Q'ty						I	R
				(A)	(B)	(C)	(D)	(E)	(F)		
2	2	119717-61050	GASKET	1							
3	2	119717-61060	COVER, GOVERNOR CASE	1							
4	2	119717-61070	GASKET	1							
5	2	119717-61100	CASE ASSY, GOVERNOR	1							
6	3	129155-51280	O-RING, S6	1							
8	3	119717-61120	LINK, MARK :3	1							1
9	3	119717-61130	LINK, MARK 98	1							1
10	3	119717-61140	LINK, MARK 88	1							1
11	3	119717-61150	LINK, MARK 03	1							1
12	3	129209-61370	NUT, M6	1							
13	3	129052-61390	SHAFT	1							
14	3	119717-61400	SHAFT ASSY	1							
21	3	119515-61440	LEVER, CONTROL	1							
22	3	121575-66830	SCREW	1							
23	3	129156-61460	SHIM, T=0.6	1							
24	3	129155-61480	SPACER ASSY	1							
30	3	119717-61500	LEVER ASSY, GOVERNOR	1							
31	4	174307-51700	SHIM SET	2							
50	4	129486-61540	SPRING, SET	1							
60	3	129100-61650	SPRING, CONTROLLER	1							
61	3	158552-61700	SHIM SET	1							
65	3	158552-61710	SHIM, T=1.0	1							
66	3	119660-61901	RETAINER, SHAFT	1							
67	3	22190-100002	WASHER, SEAL 10	1							
68	3	22272-000030	RING, E- 3	1							
69	3	119717-51930	PLUG,M10	1							
70	3	24341-000070	O-RING, 1AS7.0	1							
71	3	26106-060102	BOLT, M6X 10 PLATED	1							
72	3	26366-080002	NUT, M8	1							
73	2	119717-61201	WEIGHT ASSY,GOVERNOR	1							
77	2	129008-61301	NUT	1							
78	2	129155-61341	SLEEVE	1							
79	2	129155-61460	BOLT, IDLE	1							
80	2	22190-120002	WASHER, SEAL 12	2							
81	2	22372-040000	PIN, SNAP 4	1							
82	2	158552-61900	O-RING	1							
83	2	26106-060102	BOLT, M6X 10 PLATED	4							
84	2	26106-060142	BOLT, M6X 14 PLATED	2							
85	2	26106-060202	BOLT, M6X 20 PLATED	4							
86	2	26106-060452	BOLT, M6X 45 PLATED	3							
87	2	129209-61920	NUT, ARB	1							
88	2	26756-060002	NUT, LOCK M6	1							
89	2	158601-61700	LIMITER ASSY, FUEL	1							
97	2	119515-61550	ANGLEICH ASSY	1							
119	2	129573-61700	SPRING, GOVERNOR	1							
(A=*2007.04)											
120	2	129209-61930	NUT, CAP	1							
121	2	129209-61970	PLATE	1							
122	2	129271-77950	SOLENOID, STOP	1							
123	2	23414-120016	GASKET, 12X1.0	1							
124	1	129209-61940	CASE ASSY	1							

Remarks

\* This figure(Governor) is incorporated in the Fuel Injection Pump(Fig.18).

(1) Selective parts.

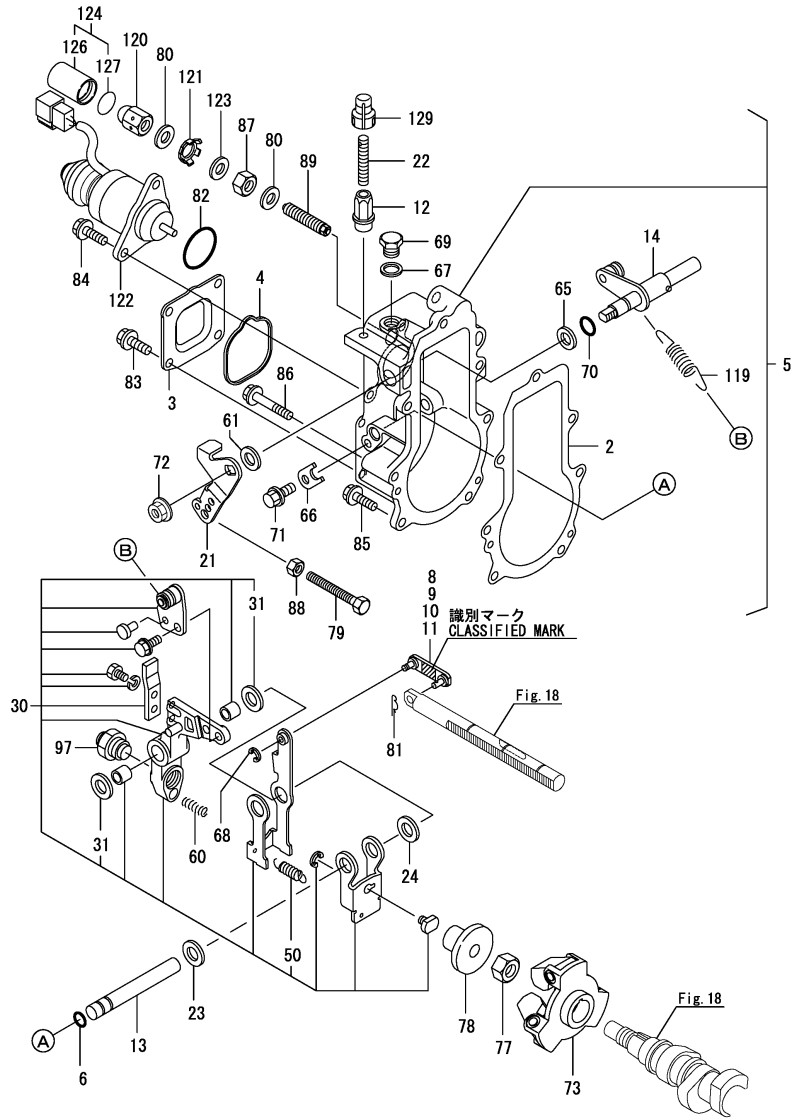
Certain the classification mark, then place your order(Refer to illustration).

(2) Spare parts.

Fig.19. GOVERNOR

(A)=3YM30AE  
(B)=  
(C)=

(D)=  
(E)=  
(F)=



No.	Lev.	Parts No.	Description	Q'ty						I	R
				(A)	(B)	(C)	(D)	(E)	(F)		
126	2	129209-61961	CASE	1							
		(A=EXXXXX)									
127	2	24311-000160	O-RING, 1AP16.0	1							
		(A=EXXXXX)									
129	1	119285-66650	CAP, HIGH-IDLE	1							

Remarks

\* This figure(Governor) is incorporated in the Fuel Injection Pump(Fig.18).

(1) Selective parts.

Certain the classification mark, then place your order(Refer to illustration).

(2) Spare parts.

N:Old  $\xrightarrow{\text{Yes}}$  New, Q:Old  $\xrightarrow{\text{No}}$  New, R:Old  $\xrightarrow{\text{Yes}}$  New, S:Old  $\xrightarrow{\text{No}}$  New, W:Add, Z:Discontinued, F:Interchangeable by set, K:Q'ty Change



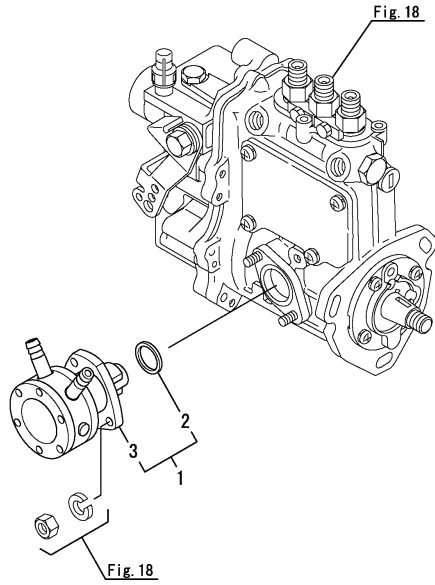
Fig.20. FUEL FEED PUMP

(A)=3YM30AE  
(B)=  
(C)=

(D)=  
(E)=  
(F)=

No.	Lev.	Parts No.	Description	Q'ty						I	R
				(A)	(B)	(C)	(D)	(E)	(F)		
1	2	129158-52000	PUMP ASSY, FUEL FEED	1							
2	3	129155-52051	GASKET	1							
3	3	129158-52101	PUMP ASSY, FUEL FEED	1							

(A=EXXXXX)



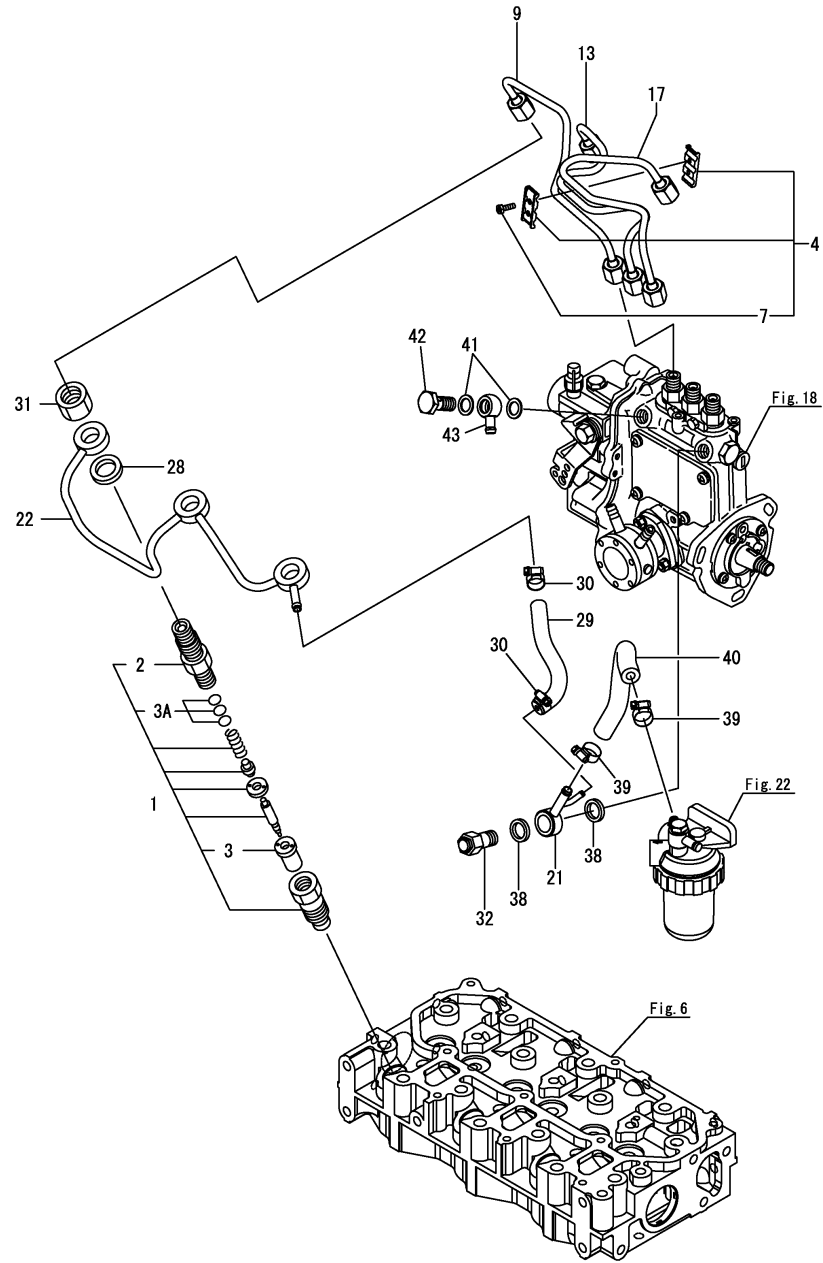
Remarks

\* This figure(Fuel feed pump) is incorporated in the Fuel Injection Pump(Fig.18).

Fig.21. FUEL INJECTION VALVE & FUEL INJECTION PIPE

(A)=3YM30AE  
(B)=  
(C)=

(D)=  
(E)=  
(F)=



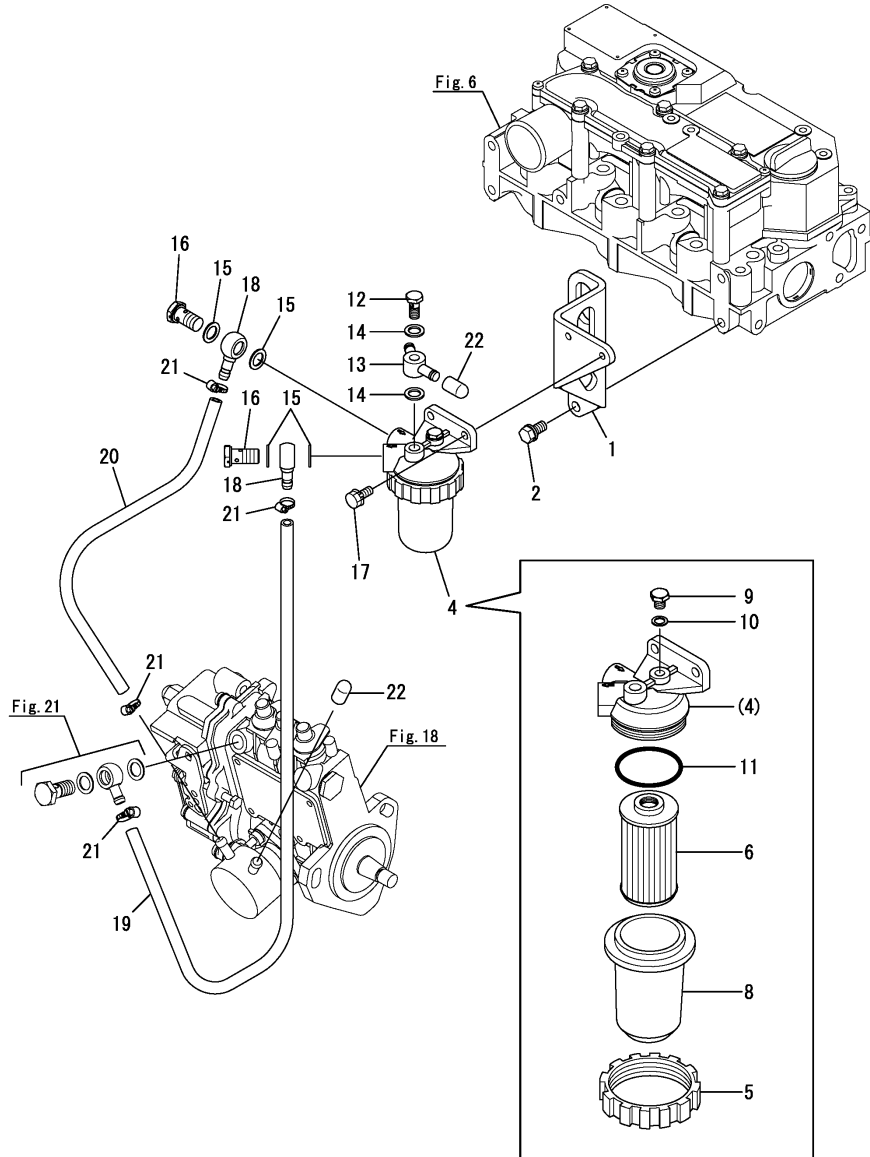
No.	Lev.	Parts No.	Description	Q'ty						I	R
				(A)	(B)	(C)	(D)	(E)	(F)		
1	1	119C10-53000	NOZZLE ASSY, F.I.	3							
2	2	118200-53010	HOLDER, NOZZLE	3							
3	2	119C10-53010	NOZZLE ASSY	3							
3A	2	129901-53800	SHIM SET, ADJUSTING	3							1
4	1	129150-59120	RETAINER, PIPE	1							
7	2	129150-59131	BOLT, M4X14	2							
9	1	119E10-59810	PIPE ASSY,INJ.NO1	1							
13	1	119E10-59820	PIPE ASSY,INJ.NO2	1							
17	1	119E10-59830	PIPE ASSY,INJ.NO3	1							
21	1	119840-59570	JOINT	1							
22	1	119717-59510	PIPE ASSY, RETURN	1							
28	1	129901-59560	GASKET	3							
29	1	128990-59510	PIPE, FUEL	1							
30	1	23000-013000	CLAMP, 13	2							
31	1	119620-59700	NUT, NOZZLE	3							
32	1	119813-59950	VALVE ASSY, CHECK	1							
38	1	22190-120002	WASHER, SEAL 12	2							
39	1	23000-016000	CLAMP, 16	2							
40	1	128990-59040	PIPE, FUEL	1							
41	1	22190-120002	WASHER, SEAL 12	2							
42	1	103854-39140	BOLT, PIPE JOINT	1							
43	1	101304-59020	JOINT, PIPE 12	1							

Remarks  
(1)Service parts.

Fig.22. FUEL PIPE & FUEL STRAINER

(A)=3YM30AE  
(B)=  
(C)=

(D)=  
(E)=  
(F)=



No.	Lev.	Parts No.	Description	Q'ty						I	R
				(A)	(B)	(C)	(D)	(E)	(F)		
1	1	128990-55011	BRACKET, FILTER	1							
2	1	26106-080162	BOLT, M8X 16 PLATED	2							
4	1	121370-55601	STRAINER ASSY, FUEL	1							
5	2	110250-55610	RING, RETAINING	1							
6	2	104500-55710	ELEMENT	1							
8	2	121370-55730	CUP, STRAINER	1							
9	2	101720-55750	PLUG, 6	1							
10	2	23418-060000	GASKET, 6X1.0	1							
11	2	24341-000440	O-RING, 1AS44.0	1							
12	1	128990-59150	BOLT, PIPE JOINT M8	1							
13	1	128990-59530	JOINT	1							
14	1	22190-080002	WASHER, SEAL 8	2							
15	1	22190-120002	WASHER, SEAL 12	4							
16	1	23857-060000	BOLT, JOINT 6	2							
17	1	26013-060162	BOLT, M6X 16	2							
18	1	104264-59020	JOINT	2							
19	1	128990-59200	PIPE,FUEL	1							
20	1	128990-59540	PIPE,FUEL	1							
21	1	23000-016000	CLAMP, 16	4							
22	1	128990-59900	CAP,FUEL IN-OUT	2							

Fig.23. FUEL TANK(OPTIONAL)

(A)=3YM30AE  
(B)=  
(C)=

(D)=  
(E)=  
(F)=

No.	Lev.	Parts No.	Description	Q'ty						I	R
				(A)	(B)	(C)	(D)	(E)	(F)		
1	1	128990-59700	PIPE ASSY, FUEL	1							
2	2	128990-59131	PIPE, FUEL	1							
4	2	138603-59380	CAP NUT	1							
5	2	23010-014000	CLAMP, 14	2							
7	1	83213-003012	TANK ASSY, FUEL OIL	1							
8	2	105430-55041	CAP ASSY	1							

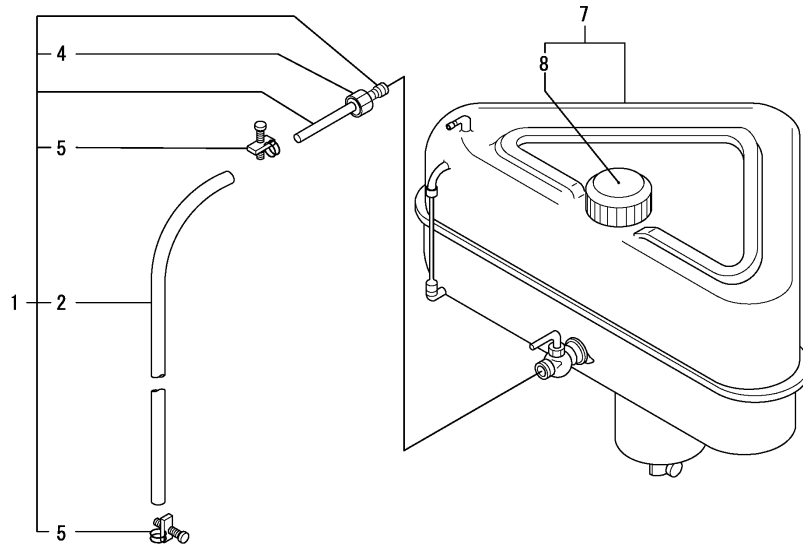
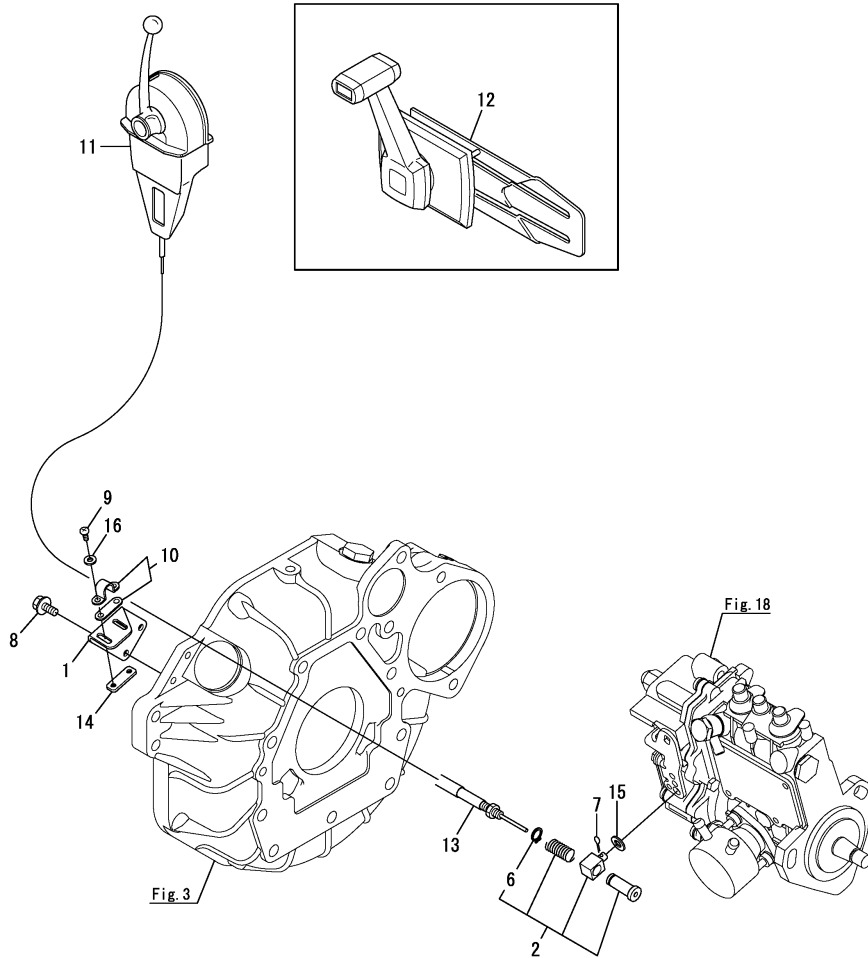


Fig.24. CABLE SUPPORT

(A)=3YM30AE  
(B)=  
(C)=

(D)=  
(E)=  
(F)=



No.	Lev.	Parts No.	Description	Q'ty						I	R
				(A)	(B)	(C)	(D)	(E)	(F)		
1	1	128990-67150	BRACKET, CABLE	1							
2	1	129470-67200	RETAINER ASSY	1							
6	2	22242-000100	RING, 10	1							
7	1	22414-250150	PIN, COTTER 2.5X15	1							
8	1	26106-060122	BOLT, M6X 12 PLATED	2							
9	1	26557-050202	SCREW, M5X20	2							
10	1	41710-000410	CLAMP	1							
11	1	41730-000681	MT-3 REMO-CON	1							1
12	1	128170-86501	REMOCON HEAD (MN	1							1
13	1	27730-301400	CABLE (L=4000)	2							1
14	1	121574-86320	RETAINER	1							
15	1	22117-080000	WASHER, 8	1							
16	1	22217-050000	WASHER, SPRING 5	2							

Remarks  
(1)Optional parts

Fig.25. CLUTCH

(A)=3YM30AE  
(B)=  
(C)=

(D)=  
(E)=  
(F)=

No.	Lev.	Parts No.	Description	Q'ty						I	R
				(A)	(B)	(C)	(D)	(E)	(F)		
1	1	128171-81520	CLUTCH ASSY, l=2.62	1							
2	1	128171-81510	CLUTCH ASSY, 2.21	1							
3	1	26106-080402	BOLT, M8X 40 PLATED	7							
4	1	26216-080452	STUD, M8X 45	1							
5	1	26366-080002	NUT, M8	1							

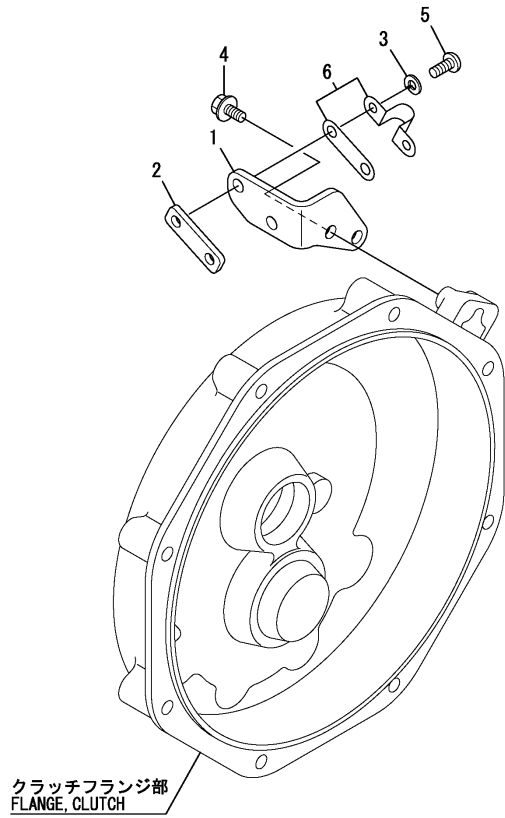
Remarks

\* This figure are not illustrated.

Fig.26. CLUTCH REMOTE CONTROL

(A)=3YM30AE  
(B)=  
(C)=

(D)=  
(E)=  
(F)=

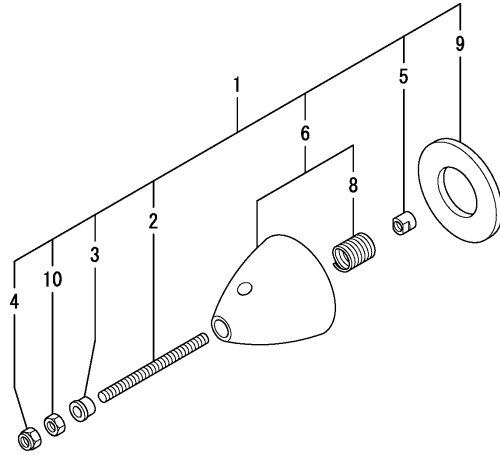


No.	Lev.	Parts No.	Description	Q'ty						I	R
				(A)	(B)	(C)	(D)	(E)	(F)		
1	1	128990-86310	BRACKET, CABLE	1							
2	1	121574-86320	RETAINER	1							
3	1	22217-050000	WASHER, SPRING 5	2							
4	1	26106-060122	BOLT, M6X 12 PLATED	2							
5	1	26557-050202	SCREW, M5X20	2							
6	1	41710-000410	CLAMP	1							

Fig.27. PROPELLER NUT

(A)=3YM30AE  
(B)=  
(C)=

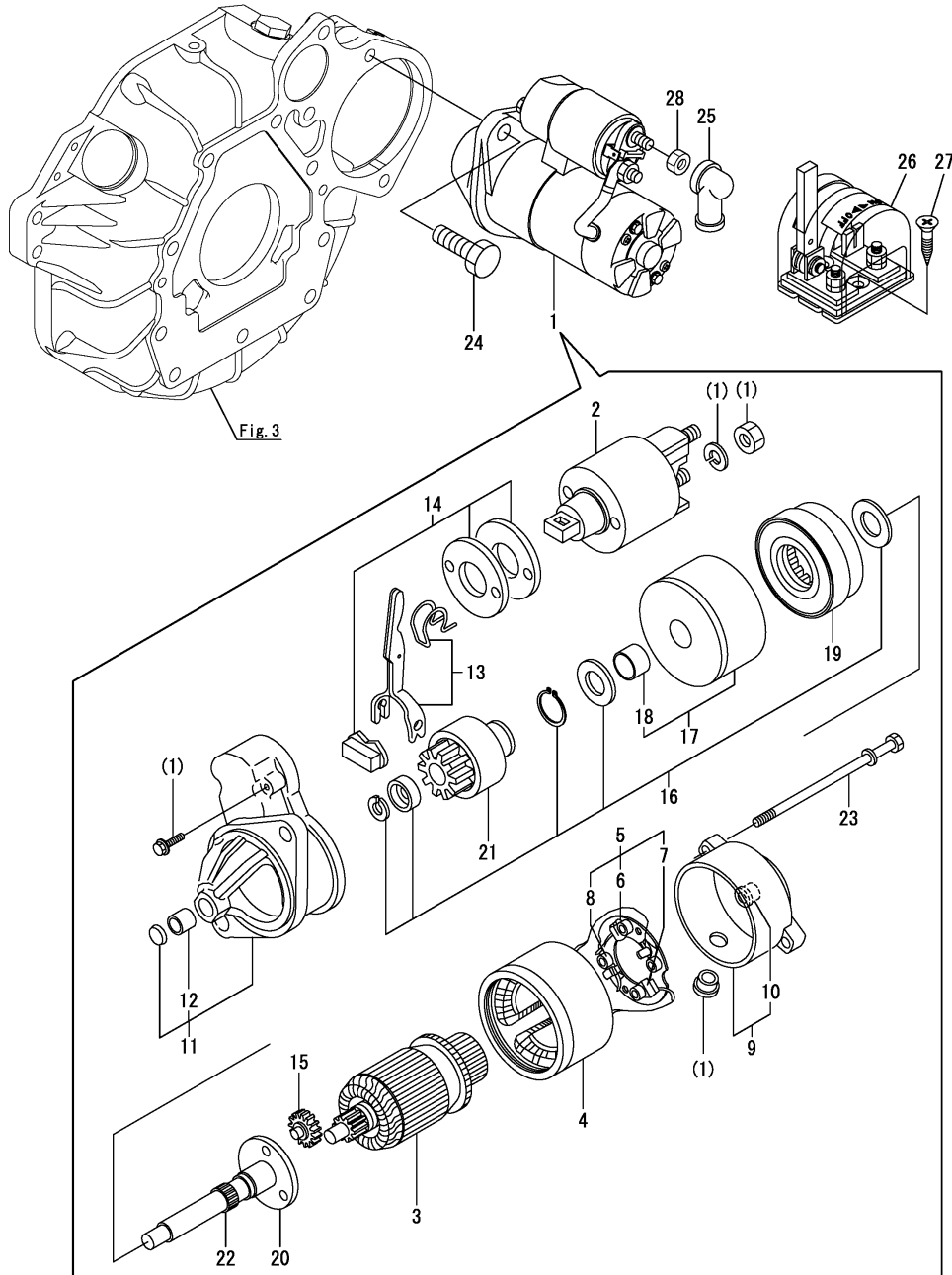
(D)=  
(E)=  
(F)=



No.	Lev.	Parts No.	Description	Q'ty						I	R
				(A)	(B)	(C)	(D)	(E)	(F)		
1	1	796420-09200	NUT ASSY, PROPELLER	1							
2	2	196440-09150	BOLT, M8X105	1							
3	2	196440-09160	SPACER	1							
4	2	196440-09170	NUT, NYLON	1							
5	2	196440-09180	NUT, M8	1							
6	2	196420-09200	NUT ASSY, PROPELLER	1							
8	3	26273-160151	INSERT, 16X1.5D	1							
9	2	196420-09220	WASHER, PROPELLER	1							
10	2	26793-080002	NUT, LOCK M8	1							



Fig.28. STARTING MOTOR

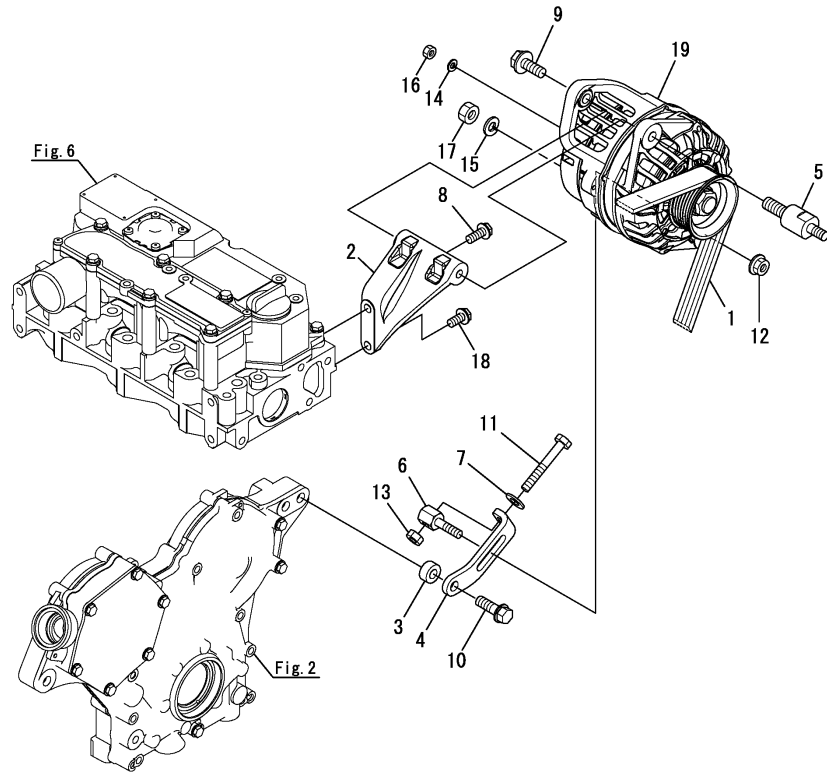


(A)=3YM30AE  
(B)=  
(C)=

(D)=  
(E)=  
(F)=

No.	Lev.	Parts No.	Description	Q'ty						I	R
				(A)	(B)	(C)	(D)	(E)	(F)		
1	1	129608-77010	STARTER, S114-817A	1							
2	2	129698-77020	SWITCH ASSY	1							
3	2	129698-77101	ARMATURE ASSY	1							
4	2	129608-77110	YOKE ASSY	1							
5	2	129698-77120	HOLDER ASSY, BRUSH	1							
6	3	129698-77140	BRUSH SET	1							
7	3	129698-77130	BRUSH	2							
8	3	129698-77150	SPRING, BRUSH	4							
9	2	129698-77161	COVER ASSY	1							
10	3	129698-77170	BEARING	1							
11	2	129698-77260	CASE ASSY	1							
12	3	X2114535200	METAL, STARTER	1							
13	2	129698-77270	LEVER SET, SHIFT	1							
14	2	129698-77280	COVER KIT	1							
15	2	129698-77240	GEAR	3							
16	2	129698-77250	WASHER SET	1							
17	2	129698-77180	BRACKET	1							
18	3	129698-77190	BRACKET	1							
19	2	129698-77200	GEAR, INTERNAL	1							
20	2	129698-77210	BRACKET	1							
21	2	129698-77220	PINION ASSY	1							
22	2	129698-77230	SHAFT	1							
23	2	124195-77770	BOLT, THROUGH	2							
24	1	26116-120302	BOLT, M12X 30 PLATED	2							
25	1	129670-77030	COVER, TERMINAL	1							
26	1	123310-77640	SWITCH, BATTERY	1							
27	1	22724-800380	SCREW, 8.0X38	2							
28	1	26756-080002	NUT, LOCK M8	1							

Fig.29. GENERATOR(VALEO)



(A)=3YM30AE  
(B)=  
(C)=

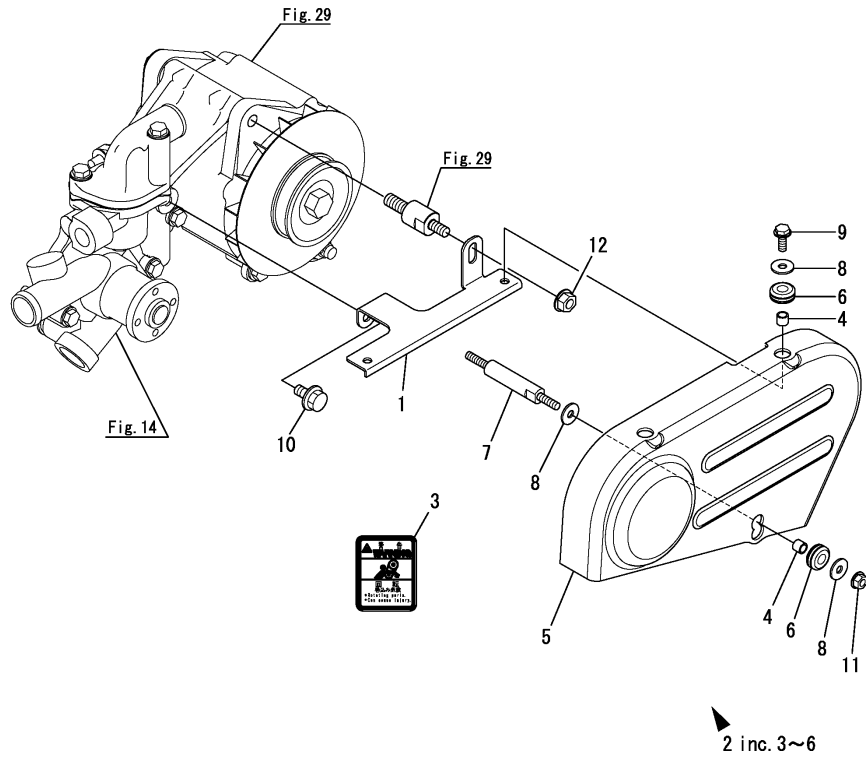
(D)=  
(E)=  
(F)=

No.	Lev.	Parts No.	Description	Q'ty						I	R
				(A)	(B)	(C)	(D)	(E)	(F)		
1	1	128990-77580	BELT,ALTERNATOR 6PK	1							
2	1	128990-77310	BRACKET	1							
3	1	128990-77320	SPACER,ADJUSTER	1							
4	1	128990-77341	ADJUSTER, BELT	1							
5	1	128990-77410	BOLT	1							
6	1	129271-77641	BOLT,ADJUSTER	1							
7	1	22137-080000	WASHER, 8	1							
8	1	26106-080252	BOLT, M8X 25 PLATED	1							
9	1	26106-100302	BOLT, M10X 30 PLATED	1							
10	1	26106-100402	BOLT, M10X 40 PLATED	1							
11	1	26116-080604	BOLT, M8X 60 PLATED	1							
12	1	26366-080002	NUT, M8	1							
13	1	26716-080002	NUT, M8	1							
14	1	22217-050000	WASHER, SPRING 5	2							
15	1	22217-080000	WASHER, SPRING 8	1							
16	1	26716-050002	NUT, M5	2							
17	1	26756-080002	NUT, LOCK M8	1							
18	1	26106-080202	BOLT, M8X 20 PLATED	1							
19	1	128990-77250	ALTERNATOR, 12V-120A	1							

Fig.30. V-BELT COVER

(A)=3YM30AE  
(B)=  
(C)=

(D)=  
(E)=  
(F)=

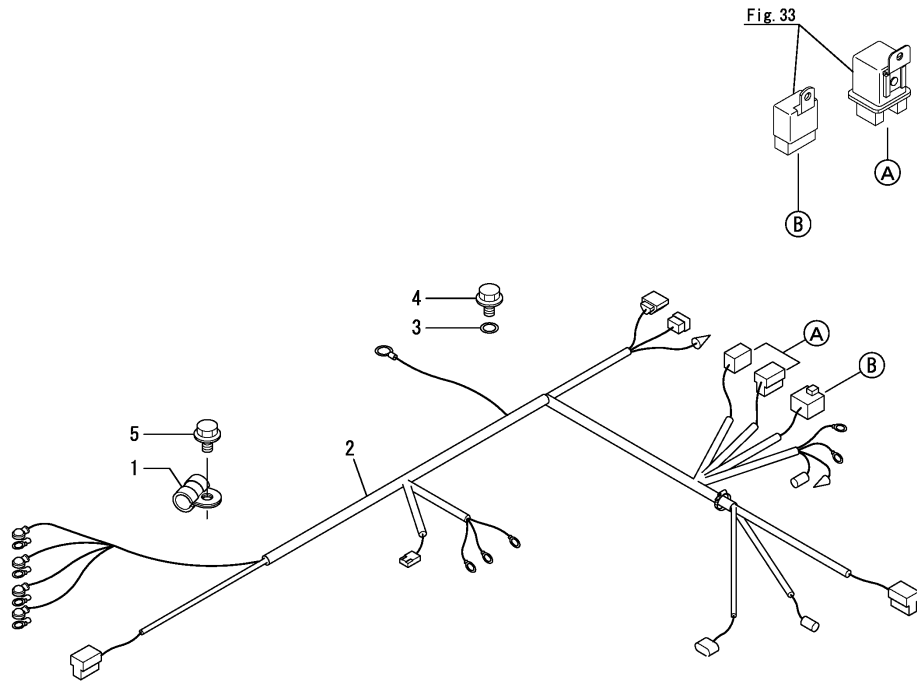


No.	Lev.	Parts No.	Description	Q'ty						I	R
				(A)	(B)	(C)	(D)	(E)	(F)		
1	1	128990-77450	BRACKET	1							
2	1	128990-77460	COVER,BELT CMP	1							
3	2	128377-07350	LABEL, CAUTION	1							
4	2	128990-77441	COLLAR, M6	3							
5	2	128990-77480	COVER	1							
6	2	128990-77600	GROMMET, M6	3							
7	1	128990-77470	BOLT	1							
8	1	128990-77510	WASHER	4							
9	1	26106-060162	BOLT, M6X 16 PLATED	2							
10	1	26106-080162	BOLT, M8X 16 PLATED	1							
11	1	26366-060002	NUT, M6	1							
12	1	26366-080002	NUT, M8	1							

Fig.31. WIRE HARNESS & RELAY

(A)=3YM30AE  
(B)=  
(C)=

(D)=  
(E)=  
(F)=

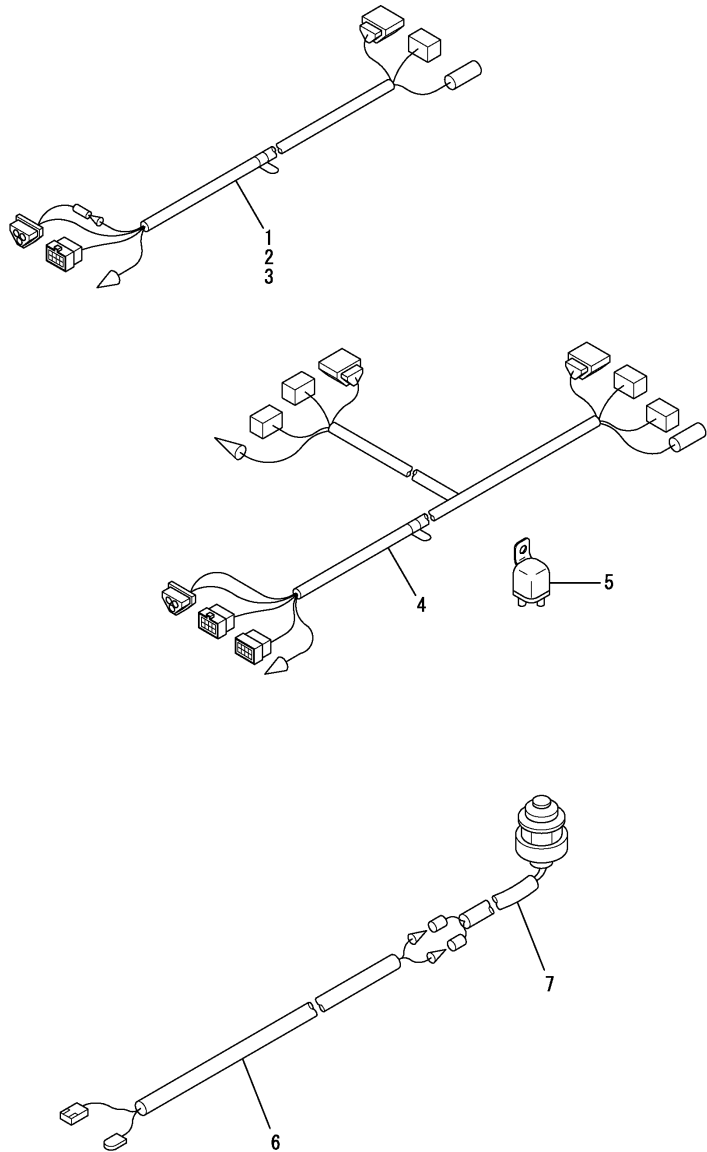


No.	Lev.	Parts No.	Description	Q'ty						I	R
				(A)	(B)	(C)	(D)	(E)	(F)		
1	1	129672-49050	RETAINER,CSW	1							
2	1	128990-77921	HARNESS, WIRE ENGINE	1							
3	1	22190-080002	WASHER, SEAL 8	1							
4	1	26106-080122	BOLT, M8X 12 PLATED	1							
5	1	26106-080142	BOLT, M8X 14 PLATED	1							

Fig.32. SUB-HARNESS & NEUTRAL SWITCH

(A)=3YM30AE  
(B)=  
(C)=

(D)=  
(E)=  
(F)=

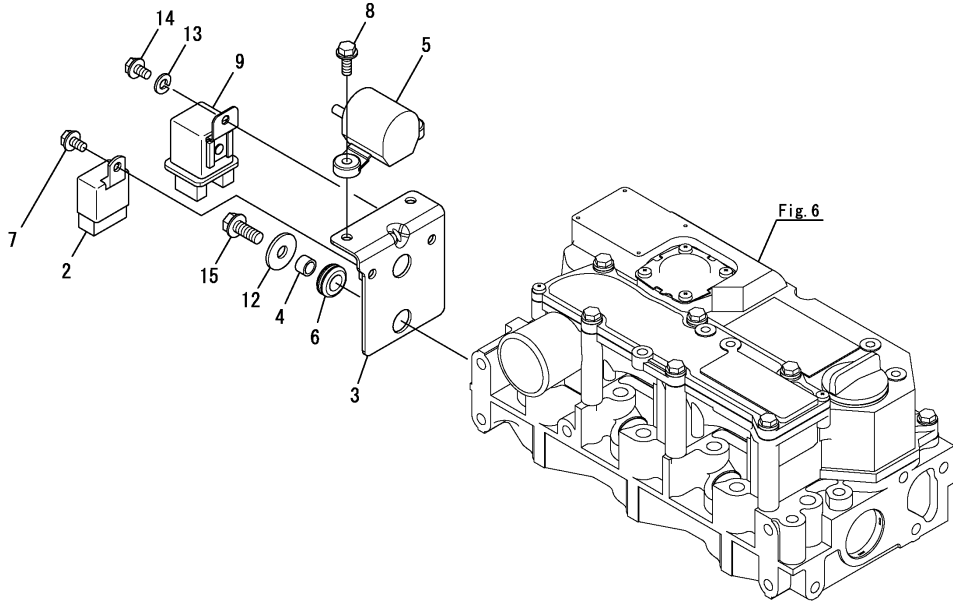


No.	Lev.	Parts No.	Description	Q'ty						I	R
				(A)	(B)	(C)	(D)	(E)	(F)		
1	1	164100-22820	HARNESS,EXT 4M	1							
2	1	164100-22830	HARNESS,EXT 6M	1							
3	1	164100-22840	HARNESS,EXT 10M	1							
4	1	164100-23700	HARNESS, DUAL PANEL	1							
5	1	119773-91850	RELAY	1							
6	1	177074-06350	HARNESS, WIRE	1							
7	1	120270-77102	SWITCH, SAFETY	1							

Fig.33. RELAY

(A)=3YM30AE  
(B)=  
(C)=

(D)=  
(E)=  
(F)=

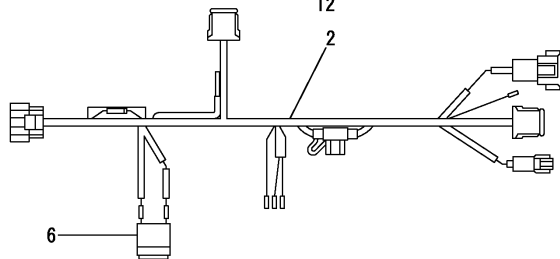
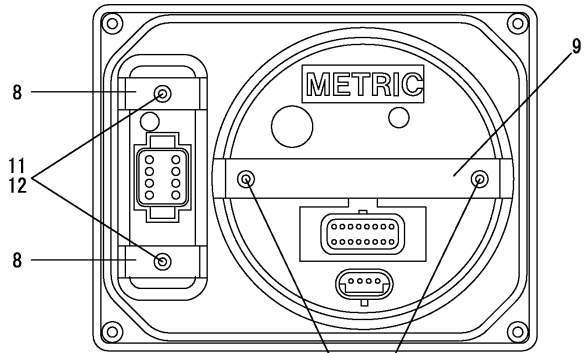
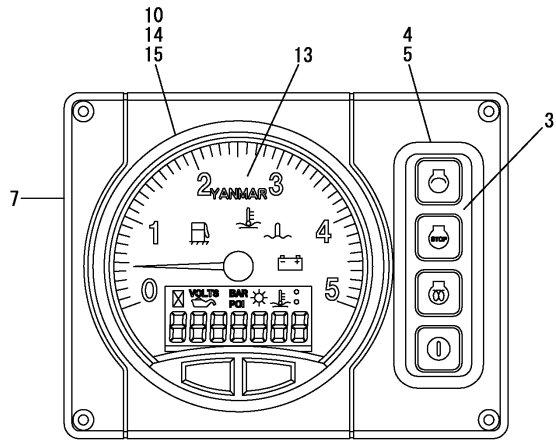


No.	Lev.	Parts No.	Description	Q'ty						I	R
				(A)	(B)	(C)	(D)	(E)	(F)		
2	1	119247-77100	RELAY, SAFETY	1							
3	1	128990-77400	BRACKET, RELAY	1							
4	1	128990-77430	COLLAR	2							
5	1	128990-77550	RELAY, MAGNETIC	1							
6	1	128990-77610	GROMMET	2							
7	1	26106-060102	BOLT, M6X 10 PLATED	1							
8	1	26106-060162	BOLT, M6X 16 PLATED	2							
9	1	128990-77911	RELAY ASSY, GLOW	1							
12	1	22157-080000	WASHER, 8	2							
13	1	22217-060000	WASHER, SPRING 6	1							
14	1	26106-060082	BOLT, M6X 8 PLATED	1							
15	1	26106-080202	BOLT, M8X 20 PLATED	2							



Fig.35. INSTRUMENT PANEL(MEDALLION)

1 inc. 2~15



(A)=3YM30AE  
(B)=  
(C)=

(D)=  
(E)=  
(F)=

No.	Lev.	Parts No.	Description	Q'ty						I	R
				(A)	(B)	(C)	(D)	(E)	(F)		
1	1	164100-30102	PANEL ASSY, B20 MD	1							
2	2	164100-21100	HARNES, PANEL	1							
3	2	164100-31101	SWITCH, PANEL MD	1							
4	2	164100-31150	GASKET, SWITCH	1							
5	2	164100-31900	BEZEL, SWITCH BK	1							
6	2	164100-36100	BUZZER, PANEL	1							
7	2	164100-39100	FRAME, PANEL B	1							
8	2	164100-39120	BRACKET, SWITCH	2							
9	2	164100-39131	BRACKET, GAUGE 5 MD	1							
10	2	164100-39150	CAP, GAUGE TERMINAL	1							
11	2	164100-39180	WASHER, LOCK	4							
12	2	164100-39190	NUT, M3.5	4							
13	2	164100-53102	GAUGE, TACH LCD 5 MD	1							
14	2	164100-53150	GASKET, GAUGE 5	1							
15	2	164100-53900	BEZEL, GAUGE 5 BK	1							



## Parts No. Index

Parts No.	Fig. No.	Ref. No.
101304-59020	21	43
101720-55750	22	9
103854-39140	21	42
104214-13580	8	13
		25
104264-59020	22	18
104500-55710	22	6
105010-11490	6	5
105311-01090	1	5
105430-55041	23	8
110250-55610	22	5
114250-39450	12	6
118200-53010	21	2
119125-51370	18	68
119125-51900	18	100
119247-77100	33	2
119285-01990	1	7
119285-11990	6	14
119285-66650	19	129
119305-35160	12	2
119515-61440	19	21
119515-61550	19	97
119600-11460	6	4
119620-01750	3	4
119620-02020	1	8
119620-11280	6	29
119620-14200	9	1
119620-49290	14	27
119620-59700	21	31
119621-21681	10	14
119623-01250	1	6
119624-32040	2	20
119660-01911	2	19
119660-61901	19	66
119717-01501	2	1
119717-01521	2	6
119717-01570	2	3
119717-01720	3	7
119717-01750	2	18
119717-01800	2	9
119717-02411	1	11
119717-02930	1	26
119717-03031	6	39
119717-03070	6	40
		41
119717-11131	6	18
119717-11190	6	20
119717-11200	6	24
119717-11240	6	25
119717-11260	6	28

Parts No.	Fig. No.	Ref. No.
119717-11320	6	50
119717-11331	6	51
119717-11340	6	21
119717-11350	6	22
119717-11381	6	38
119717-11650	6	30
119717-11800	6	12
119717-13110	15	1
119717-14400	9	2
119717-14581	9	3
119717-21200	10	5
119717-23200	10	30
119717-23601	10	31
119717-23611	10	34
119717-23910	10	33
119717-25050	9	10
119717-25101	9	11
119717-25930	9	16
119717-32050	2	21
119717-32060	12	3
119717-32080	2	11
119717-32100	2	10
119717-32110	2	15
119717-32120	2	16
119717-35140	12	1
119717-39210	12	7
119717-42020	14	13
119717-42031	14	4
119717-42041	14	3
119717-51060	18	7
119717-51070	18	8
119717-51150	18	14
119717-51190	18	17
119717-51200	18	18
119717-51300	18	57
119717-51330	18	60
119717-51420	18	98
119717-51481	18	104
119717-51491	18	105
119717-51500	18	78
119717-51570	18	16
119717-51711	18	89
119717-51750	18	90
119717-51761	18	91
119717-51860	18	102
119717-51930	19	69
119717-59510	21	22
119717-61050	19	2
119717-61060	19	3
119717-61070	19	4

Parts No.	Fig. No.	Ref. No.
119717-61100	19	5
119717-61120	19	8
119717-61130	19	9
119717-61140	19	10
119717-61150	19	11
119717-61201	19	73
119717-61400	19	14
119717-61500	19	30
119717-77801	6	58
119718-11310	6	49
119740-51100	18	10
119773-91850	32	5
119802-03100	6	42
119802-03110	6	43
119802-03121	6	44
119802-03131	6	45
119802-03141	6	46
119802-32130	2	17
119810-01200	1	13
119810-02941	1	35
119813-59950	21	32
119840-59570	21	21
119C00-51030	18	6
119C10-21930	10	15
119C10-21940	10	16
119C10-42320	14	11
119C10-53000	21	1
119C10-53010	21	3
119E00-01560	1	1
119E10-01330	1	14
119E10-11100	6	16
119E10-11110	6	17
119E10-11750	6	6
119E10-21700	10	1
119E10-22080	10	18
119E10-22300	10	24
119E10-22500	10	20
119E10-22550	10	37
119E10-22900	10	36
119E10-23000	10	26
119E10-42000	14	1
119E10-59810	21	9
119E10-59820	21	13
119E10-59830	21	17
120270-77102	32	7
121111-21501	10	8
121370-55601	22	4
121370-55730	22	8
121450-42450	3	10
	14	23

Parts No.	Fig. No.	Ref. No.
121574-86320	24	14
	26	2
121575-49310	16	8
121575-66830	19	22
121850-51960	2	22
122710-51090	18	9
123310-77640	28	26
123682-07852	5	1
124060-01050	1	12
124070-13300	8	10
		22
124070-13520	8	9
124070-42400	13	7
124085-02220	3	5
124101-49530	14	17
124160-01751	2	30
	6	37
124160-01910	1	15
124195-77770	28	23
124223-49050	16	12
124465-44950	14	21
		22
		31
124550-51350	18	61
124950-21600	10	12
124976-34850	11	7
128170-86501	24	12
128171-81510	25	2
128171-81520	25	1
128270-12540	7	5
128296-07190	5	15
128296-07400	5	16
128296-07420	5	17
128296-07450	5	18
128296-07460	5	19
128370-13201	8	1
		7
		19
128370-13610	8	14
128377-07150	5	4
128377-07350	30	3
128377-08120	4	3
128377-08130	4	4
128377-08341	4	7
128377-08351	4	8
		9
128397-44500	15	22
128397-44510	15	24
128890-13530	8	2
128990-01650	3	2

## Parts No. Index

Parts No.	Fig. No.	Ref. No.
128990-01750	3	9
128990-07270	5	5
128990-07910	6	1
128990-08110	4	1
128990-12210	7	1
128990-12500	7	2
128990-13510	8	20
128990-13520	8	21
128990-13610	8	26
128990-34850	11	1
128990-34860	11	2
128990-34900	5	10
128990-35080	12	4
128990-42200	13	22
128990-42350	14	25
128990-42520	13	12
128990-44071	15	10
128990-44081	15	11
128990-44090	15	14
128990-44100	15	15
128990-44110	15	16
128990-44120	15	17
128990-44401	15	19
128990-44500	14	24
128990-44901	15	2
128990-49011	16	1
128990-49021	8	4
128990-49040	8	15
128990-49050	16	3
128990-49070	16	5
128990-49090	8	27
128990-49110	16	2
		4
128990-49161	16	6
128990-49170	16	7
128990-49320	14	32
128990-49350	14	33
128990-49360	14	34
128990-49370	14	35
128990-49390	14	37
128990-49400	14	36
128990-49800	14	18
128990-55011	22	1
128990-59040	21	40
128990-59131	23	2
128990-59150	22	12
128990-59200	22	19
128990-59510	21	29
128990-59530	22	13
128990-59540	22	20

Parts No.	Fig. No.	Ref. No.
128990-59700	23	1
128990-59900	22	22
128990-67150	24	1
128990-77250	29	19
128990-77310	29	2
128990-77320	29	3
128990-77341	29	4
128990-77400	33	3
128990-77410	29	5
128990-77430	33	4
128990-77441	30	4
128990-77450	30	1
128990-77460	30	2
128990-77470	30	7
128990-77480	30	5
128990-77510	30	8
128990-77550	33	5
128990-77580	29	1
128990-77600	30	6
128990-77610	33	6
128990-77820	6	59
128990-77911	33	9
128990-77921	31	2
128990-81150	3	20
128990-86310	26	1
128995-08110	4	2
128995-21590	10	9
128995-21660	10	13
128995-42150	13	5
128995-42170	13	24
128995-42500	13	1
129001-32320	2	13
129001-32330	2	14
129005-59830	12	8
129008-61301	19	77
129052-61390	19	13
129100-01580	3	1
	10	2
129100-51570	18	84
129100-61650	19	60
129150-11230	6	31
129150-11750	6	33
129150-25301	9	15
129150-59120	21	4
129150-59131	21	7
129155-51020	18	5
129155-51140	18	13
129155-51280	18	55
		56
		6

Parts No.	Fig. No.	Ref. No.
129155-51400	18	70
129155-51450	18	73
129155-51530	18	80
129155-51540	18	81
129155-51550	18	82
129155-51580	18	86
129155-51591	18	87
129155-51600	18	23
129155-51701	18	88
129155-52051	20	2
129155-61341	19	78
129155-61460	19	79
129155-61480	19	24
129156-61460	19	23
129158-52000	20	1
129158-52101	20	3
129209-61370	19	12
129209-61920	19	87
129209-61930	19	120
129209-61940	19	124
129209-61961	19	126
129209-61970	19	121
129270-44501	15	23
129271-77641	29	6
129271-77950	19	122
129470-67200	24	2
129486-61540	19	50
129508-11180	6	19
129573-61700	19	119
129608-77010	28	1
129608-77110	28	4
129670-13600	8	3
129670-44570	15	25
129670-49500	16	9
129670-77030	28	25
129672-49050	31	1
129673-44110	15	7
129673-44131	15	18
129673-44150	15	9
129698-77020	28	2
129698-77101	28	3
129698-77120	28	5
129698-77130	28	7
129698-77140	28	6
129698-77150	28	8
129698-77161	28	9
129698-77170	28	10
129698-77180	28	17
129698-77190	28	18
129698-77200	28	19

Parts No.	Fig. No.	Ref. No.
129698-77210	28	20
129698-77220	28	21
129698-77230	28	22
129698-77240	28	15
129698-77250	28	16
129698-77260	28	11
129698-77270	28	13
129698-77280	28	14
129900-32130	2	12
129901-11450	6	3
129901-53800	21	3 A
129901-59560	21	28
129916-49740	14	12
138603-59380	23	4
158552-61700	19	61
158552-61710	19	65
158552-61900	19	82
158600-51170	18	15
158600-51270	18	54
158600-51410	18	71
158600-51420	18	72
158600-51442	18	62
158600-51570	18	85
158600-51790	18	92
158601-61700	19	89
164100-21100	35	2
164100-22820	32	1
164100-22830	32	2
164100-22840	32	3
164100-23700	32	4
164100-30102	35	1
164100-31101	35	3
164100-31150	35	4
164100-31900	35	5
164100-36100	35	6
164100-39100	35	7
164100-39120	35	8
164100-39131	35	9
164100-39150	35	10
164100-39180	35	11
164100-39190	35	12
164100-53102	35	13
164100-53150	35	14
164100-53900	35	15
174307-51700	19	31
177070-03501	10	42
177074-06350	32	6
177088-02430	5	3
196420-02310	4	10
196420-02790	34	1

## Parts No. Index

Parts No.	Fig. No.	Ref. No.
196420-09200	27	6
196420-09220	27	9
196440-09150	27	2
196440-09160	27	3
196440-09170	27	4
196440-09180	27	5
196630-12980	5	6
22117-080000	24	15
22137-080000	29	7
22157-080000	33	12
22190-080002	12	9
		11
	22	14
	31	3
22190-100002	19	67
22190-120002	19	80
	21	38
		41
	22	15
22190-160002	3	13
	11	4
	18	93
22217-050000	24	16
	26	3
	29	14
22217-060000	33	13
22217-080000	29	15
22217-120000	4	11
	18	94
22242-000100	24	6
22242-000120	6	34
22252-000220	10	25
22272-000030	19	68
22351-050010	18	95
22351-060012	6	23
22372-040000	19	81
22414-250150	24	7
22512-040120	10	6
		17
22724-800380	16	13
	28	27
22857-500100	6	52
		53
22857-500160	6	54
23000-013000	21	30
23000-016000	21	39
	22	21
23000-025000	8	28
	16	14
23000-028000	8	5

Parts No.	Fig. No.	Ref. No.
23000-028000	8	16
	16	10
23000-060000	7	6
23010-013000	15	26
23010-014000	23	5
23061-070300	15	20
23414-080000	14	14
23414-120016	19	123
23418-060000	22	10
23857-030000	12	10
23857-060000	22	16
23857-100000	11	5
23876-005000	6	15
23876-030000	2	8
23887-180002	3	19
24101-060034	18	96
24101-063034	18	97
24311-000160	19	127
24311-000320	2	31
	6	55
24316-000150	18	69
24341-000070	19	70
24341-000440	22	11
25111-002100	13	25
26013-060162	22	17
26013-080142	10	43
26013-100302	4	5
26022-050122	18	99
26106-050102	18	101
26106-060082	33	14
26106-060102	12	5
	19	71
		83
	33	7
26106-060122	2	23
	9	9
	14	26
	24	8
	26	4
26106-060142	19	84
26106-060162	2	24
	30	9
	33	8
26106-060202	6	56
	19	85
26106-060352	9	14
26106-060402	2	25
		26
26106-060452	19	86
26106-060602	2	27

Parts No.	Fig. No.	Ref. No.
26106-060652	2	28
26106-060752	6	57
26106-080122	7	7
	14	15
	31	4
26106-080142	6	2
	31	5
26106-080162	13	23
		26
	22	2
	30	10
26106-080202	29	18
	33	15
26106-080252	14	19
	29	8
26106-080302	3	15
26106-080402	6	36
	25	3
26106-080452	3	14
		16
		21
26106-080502	14	16
26106-080652	14	20
26106-080702	3	17
		18
26106-081152	15	21
26106-100252	4	6
26106-100302	29	9
26106-100402	29	10
26116-060652	16	11
26116-080604	29	11
26116-120302	28	24
26203-080302	8	29
26203-080402	8	17
26203-080602	8	18
26203-080802	8	30
26206-100252	3	6
26206-100302	3	3
26216-080452	3	22
	25	4
26273-160151	27	8
26306-080002	2	29
26366-060002	30	11
26366-080002	3	23
	13	27
	19	72
	25	5
	29	12
	30	12
26366-100002	11	6

Parts No.	Fig. No.	Ref. No.
26557-050202	24	9
	26	5
26577-060122	14	9
26703-080002	8	6
26716-050002	29	16
26716-080002	29	13
26716-120002	4	12
	18	103
26756-060002	19	88
26756-080002	28	28
	29	17
26793-080002	27	10
26979-050162	6	35
27233-250000	8	12
		24
27241-120000	1	16
27241-250000	14	10
27730-301400	24	13
41710-000410	24	10
	26	6
41730-000681	24	11
43662-015021	16	15
43666-020951	16	16
719717-02901	1	29
719717-02911	1	32
719734-01500	2	5
728995-51300	18	1
796420-09200	27	1
83213-003012	23	7
977780-01211	17	1
977780-03000	17	9
X00141916	13	11
X00183200	13	14
X00190050	13	13
X00353309	13	10
X00370012	13	20
X00371732	13	21
X0044021509	17	7
X0142398	13	3
X0145050	13	4
X0146541	13	6
X0146542	13	8
X014678901	13	9
X02173432	13	15
X02173476	13	16
X02233010	13	19
X0318101004	17	2
X03431748	13	18
X03431760	13	17
X158606410X	17	3

# Parts No. Index

Parts No.	Fig. No.	Ref. No.
X179100022X	17	5
X179100100X	17	6
X199906101X	17	8
X2114535200	28	12
X8636015001	17	4

Parts No.	Fig. No.	Ref. No.
-----------	----------	----------

Parts No.	Fig. No.	Ref. No.
-----------	----------	----------

Parts No.	Fig. No.	Ref. No.
-----------	----------	----------